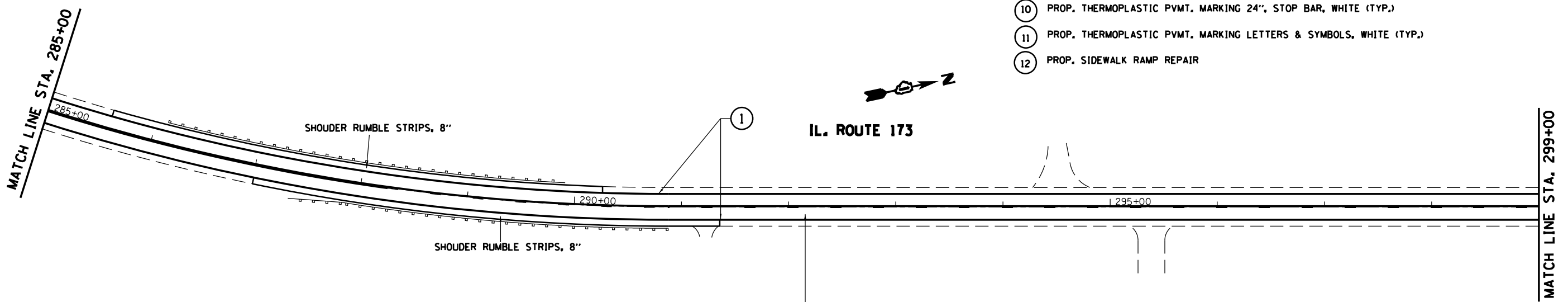


- ① PROP. THERMOPLASTIC PVMT. MARKING 4", LINE, WHITE (TYP.)
- ② PROP. THERMOPLASTIC PVMT. MARKING 4", DOUBLE YELLOW (TYP.)
- ③ PROP. THERMOPLASTIC PVMT. MARKING 4", SKIP DASH, YELLOW (TYP.)
- ④ PROP. THERMOPLASTIC PVMT. MARKING 4", LINE, YELLOW (TYP.)
- ⑤ PROP. THERMOPLASTIC PVMT. MARKING 6", LINE, WHITE (TYP.)
- ⑥ PROP. THERMOPLASTIC PVMT. MARKING 6", SKIP DASH, WHITE (TYP.)
- ⑦ PROP. THERMOPLASTIC PVMT. MARKING 12", BAR, WHITE (TYP.)
- ⑧ PROP. THERMOPLASTIC PVMT. MARKING 12", DIAGONALS, WHITE (TYP.)
- ⑨ PROP. THERMOPLASTIC PVMT. MARKING 12", DIAGONALS, YELLOW (TYP.)
- ⑩ PROP. THERMOPLASTIC PVMT. MARKING 24", STOP BAR, WHITE (TYP.)
- ⑪ PROP. THERMOPLASTIC PVMT. MARKING LETTERS & SYMBOLS, WHITE (TYP.)
- ⑫ PROP. SIDEWALK RAMP REPAIR



PROPOSED HOT-MIX ASPHALT SURFACE REMOVAL, 2 1/4"
 PROPOSED POLYMERIZED LEVELING BINDER (MACHINE METHOD), IL-4.75, N50, 3/4"
 PROPOSED HOT-MIX ASPHALT SURFACE COURSE, MIX "D", N70", 1 1/2"

FILE NAME = c:\pwwork\pwwork\osbornenp\d0313225\01912-sht-plan.dgn	USER NAME = osbornenp	DESIGNED -	REVISED -	STATE OF ILLINOIS DEPARTMENT OF TRANSPORTATION	ROADWAY AND PAVEMENT MARKING PLAN			F.A.P. RTE.	SECTION	COUNTY	TOTAL SHEETS	SHEET NO.
	PLOT SCALE = 100.0000' / 1" =	CHECKED -	REVISED -					303	(21X,29V&132)RS-2	MCHEMRY	34	17
Default	PLOT DATE = 5/22/2014	DATE -	REVISED -	SCALE:	SHEET	OF	SHEETS	STA.	TO	STA.	CONTRACT NO. 60V12 ILLINOIS FED. AID PROJECT	