

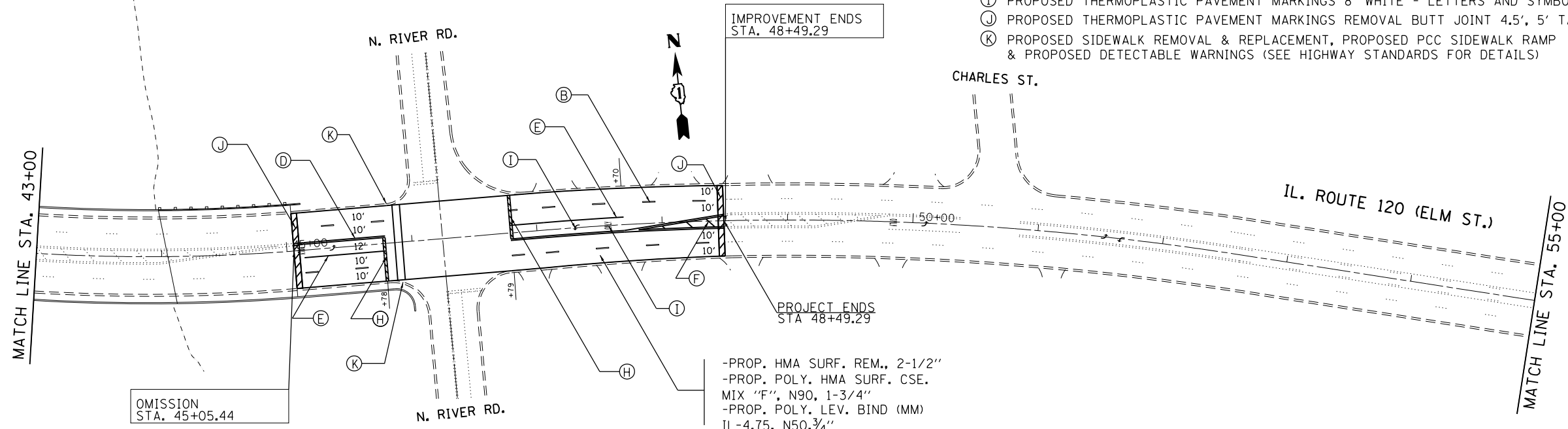
PROP. POLY. HMA SURF. CSE.
MIX "F", N90, 1-3/4"
PROP. POLY. LEV. BIND (MM)
IL-4.75, N50, 3/4"
PROP. HMA SURF. REM., 2-1/2"

OMISSION
STA. 38+70.73

OMISSION
STA. 38+70.73

PAVEMENT MARKING LEGEND

- (A) PROPOSED THERMOPLASTIC PAVEMENT MARKINGS 4" WHITE - SOLID PARKING LINE (TYP)
- (B) PROPOSED THERMOPLASTIC PAVEMENT MARKINGS 4" WHITE - 10' DASH / 30' SKIP (TYP)
- (C) PROPOSED THERMOPLASTIC PAVEMENT MARKINGS 4" WHITE - 2' DASH / 6' SKIP
- (D) PROPOSED THERMOPLASTIC PAVEMENT MARKINGS 4" YELLOW - SOLID DOUBLE YELLOW LINE (TYP)
- (E) PROPOSED THERMOPLASTIC PAVEMENT MARKINGS 6" WHITE - SOLID LINE (TYP)
- (F) PROPOSED THERMOPLASTIC PAVEMENT MARKINGS 12" YELLOW - RT. 45° SOLID DIAGONAL LINE (TYP)
- (G) PROPOSED THERMOPLASTIC PAVEMENT MARKINGS 12" WHITE - RT. 45° SOLID DIAGONAL LINE (TYP)
- (H) PROPOSED THERMOPLASTIC PAVEMENT MARKINGS 24" WHITE - SOLID STOP BAR (TYP)
- (I) PROPOSED THERMOPLASTIC PAVEMENT MARKINGS 8' WHITE - LETTERS AND SYMBOLS (TYP)
- (J) PROPOSED THERMOPLASTIC PAVEMENT MARKINGS REMOVAL BUTT JOINT 4.5', 5' TAPER (TYP)
- (K) PROPOSED SIDEWALK REMOVAL & REPLACEMENT, PROPOSED PCC SIDEWALK RAMP & PROPOSED DETECTABLE WARNINGS (SEE HIGHWAY STANDARDS FOR DETAILS)



IMPROVEMENT ENDS
STA. 48+49.29

PROJECT ENDS
STA. 48+49.29

OMISSION
STA. 45+05.44

-PROP. HMA SURF. REM., 2-1/2"
-PROP. POLY. HMA SURF. CSE.
MIX "F", N90, 1-3/4"
-PROP. POLY. LEV. BIND (MM)
IL-4.75, N50, 3/4"

FILE NAME =	USER NAME = hardnetbr	DESIGNED -	REVISED -	STATE OF ILLINOIS DEPARTMENT OF TRANSPORTATION	ROADWAY AND PAVEMENT MARKING PLAN IL 120 (ELM ST.) - GREEN ST. TO CHARLES ST.	F.A.P. RTE.	SECTION	COUNTY	TOTAL SHEETS	SHEET NO.	
Default	Plot SCALE = 100.0000' / in.	DRAWN -	REVISED -			333	14RS-7	MCHENRY	22	7	
	PLOT DATE = 6/5/2014	CHECKED -	REVISED -			CONTRACT NO. 60V48					
		DATE -	REVISED -			ILLINOIS FED. AID PROJECT					
					SCALE:	SHEET 2	OF 2	SHEETS	STA.	TO STA.	