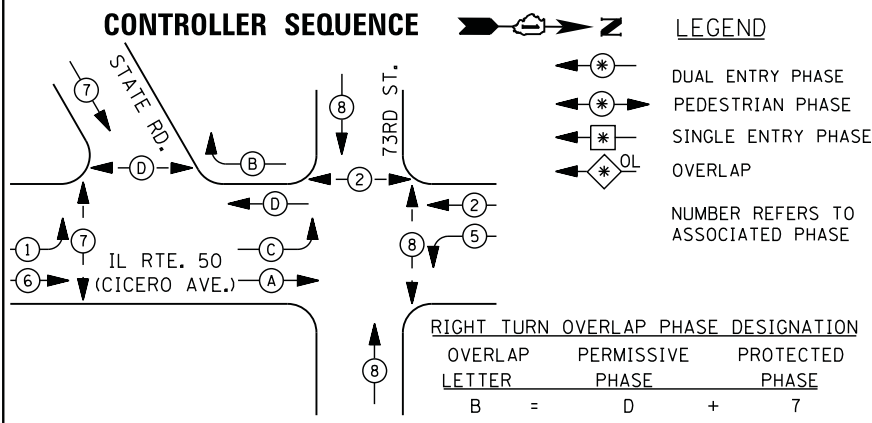




FILE NAME = M:\p\03\1481\2103 PTB 168-011 SINGH IDOT VAR-VAR\WD14-001 Central Cook Co. LED4\Design\CAD\Sheet Files\2465_CAB_CDOK.dgn



LEGEND

- DUAL ENTRY PHASE
- PEDESTRIAN PHASE
- SINGLE ENTRY PHASE
- OVERLAP

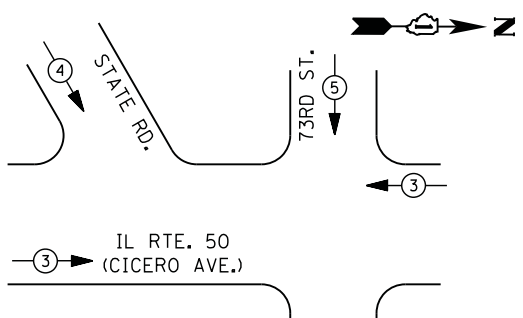
NUMBER REFERS TO ASSOCIATED PHASE

RIGHT TURN OVERLAP PHASE DESIGNATION

OVERLAP LETTER	PERMISSIVE PHASE	PROTECTED PHASE
B	=	D + 7

SEQUENCE NUMBER	1	2	3	4	5	6
PHASES	1+5+6+C	1+6+A+C	2+5+D	2+6+A+D	7+A+B+C	8+D

PHASE DESIGNATION DIAGRAM



EMERGENCY VEHICLE PREEMPTION SEQUENCE

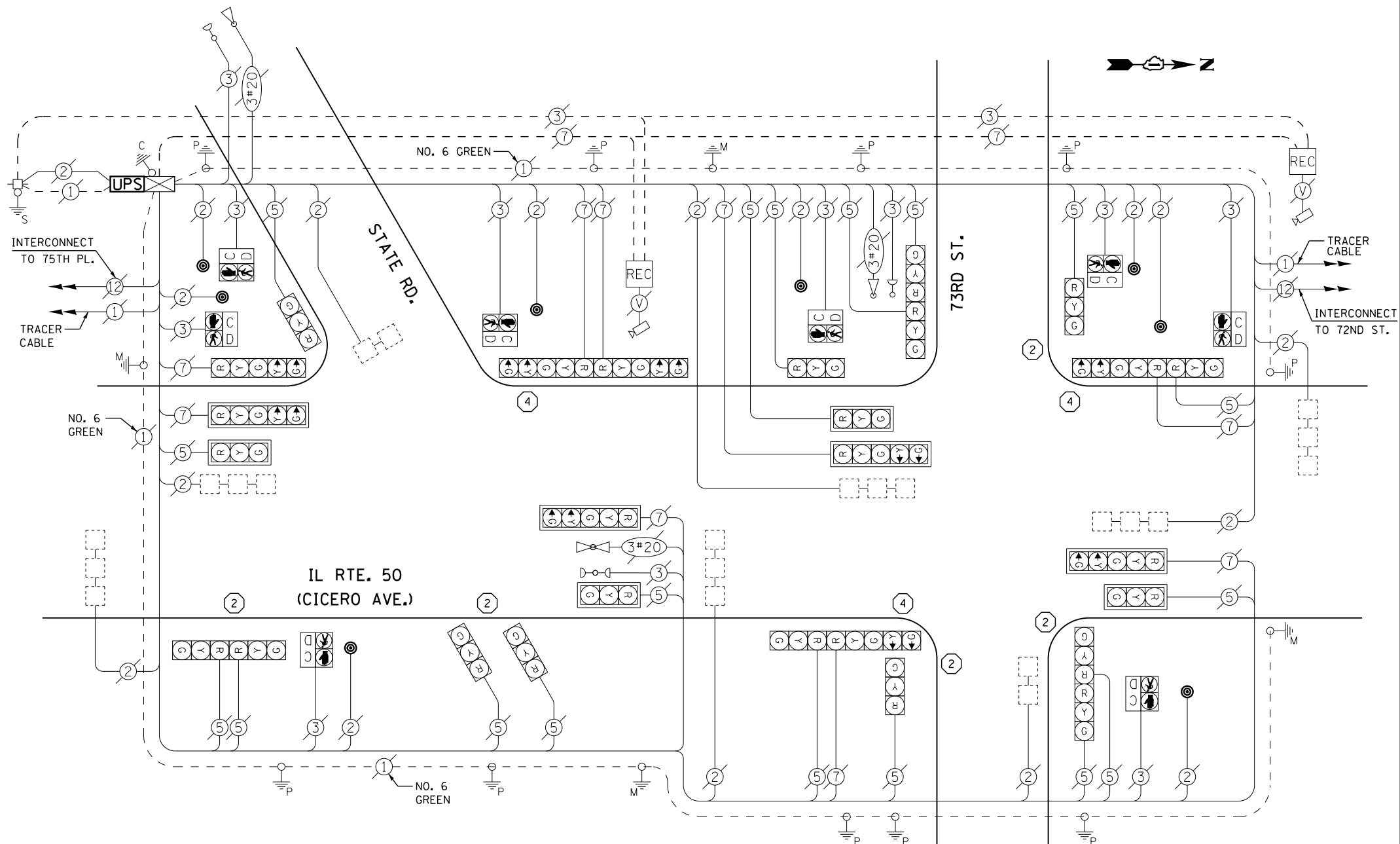
EMERGENCY VEHICLE PREEMPTORS			
EMERGENCY VEHICLE PREEMPTOR	3	4	5
MOVEMENT			

I. D. O. T. TRAFFIC SIGNAL INSTALLATION ELECTRICAL SERVICE REQUIREMENTS

TYPE	NO. LAMPS	WATTAGE		% OPERATIONS	TOTAL WATTAGE
		INCAND.	LED		
SIGNAL (RED)	27	135	17	0.50	230
(YELLOW)	27	135	25	0.25	169
(GREEN)	27	135	15	0.25	102
ARROW	18	135	12	0.10	22
PED. SIGNAL	8	90	25	1.00	200
CONTROLLER	1	100	100	1.00	100
ILLUM. SIGN		252	25	0.05	
VIDEO SYSTEM		150	-	1.00	
TOTAL =					823

ENERGY COSTS- **BILLED TO: IDOT DISTRICT 1**
 201 WEST CENTER COURT
 SCHAUMBURG, IL 60196-1096

ENERGY SUPPLY - **CONTACT ILYAS MOHIUDDIN**
 PHONE 708-235-2692
 COMMONWEALTH EDISON



CABLE PLAN

REMOVAL OF EXISTING TRAFFIC SIGNAL EQUIPMENT

THE FOLLOWING ITEMS SHALL BE REMOVED BY THE CONTRACTOR AND SHALL BE DISPOSED OF BY THEM OUTSIDE THE RIGHT-OF-WAY AT THEIR EXPENSE. THE SALVAGE VALUE OF THE REMOVED EQUIPMENT SHALL BE REFLECTED IN THE CONTRACT BID PRICE.

- 8 EACH PEDESTRIAN PUSH-BUTTON
- 8 EACH SIGNAL POST

- ① REPLACE 10 FT. PAINTED POST. RE-USE EXISTING TYPE A CONCRETE FOUNDATION.
- ② REPLACE 14 FT. PAINTED POST. RE-USE EXISTING TYPE A CONCRETE FOUNDATION.
- ③ REPLACE 15 FT. PAINTED POST. RE-USE EXISTING TYPE A CONCRETE FOUNDATION.
- ④ REPLACE 16 FT. PAINTED POST. RE-USE EXISTING TYPE A CONCRETE FOUNDATION.
- ⑤ REPLACE 18 FT. PAINTED POST. RE-USE EXISTING TYPE A CONCRETE FOUNDATION.

SCHEDULE OF QUANTITIES

QUANTITY	UNIT	ITEM
1	EACH	MAINTENANCE OF EXISTING TRAFFIC SIGNAL INSTALLATION
5	EACH	TRAFFIC SIGNAL POST, GALVANIZED STEEL 14 FT.
3	EACH	TRAFFIC SIGNAL POST, GALVANIZED STEEL 16 FT.
17	EACH	RELOCATE EXISTING SIGNAL HEAD
8	EACH	PEDESTRIAN PUSH-BUTTON
1	EACH	MODIFY EXISTING CONTROLLER CABINET
1	EACH	REMOVE EXISTING TRAFFIC SIGNAL EQUIPMENT
4	EACH	REMOVE AND REPLACE ANCHOR BOLTS
1	EACH	UNINTERRUPTIBLE POWER SUPPLY, SPECIAL

STATE OF ILLINOIS DEPARTMENT OF TRANSPORTATION

IL ROUTE 50 (CICERO AVENUE) AT 73RD STREET /STATE ROAD
 SCHEDULE OF QUANTITIES, CABLE PLAN, PHASE DESIGNATION DIAGRAM AND EMERGENCY VEHICLE PREEMPTION SEQUENCE

F.A. RTE.	SECTION	COUNTY	TOTAL SHEETS	SHEET NO.
	2014-019TS	COOK	90	20
CONTRACT NO. 60Y05				

TS #2465 BEDFORD PARK

USER NAME = .USERNAME.	DESIGNED - DW	REVISED -
	DRAWN - CC	REVISED -
PLOT SCALE = 20.000' / in.	CHECKED - KMM	REVISED -
PLOT DATE = 5/13/2014	DATE -	REVISED -

SCALE: N.T.S. SHEET NO. OF SHEETS STA. TO STA.