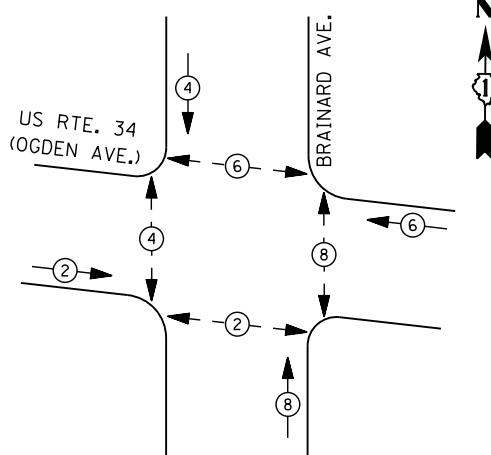
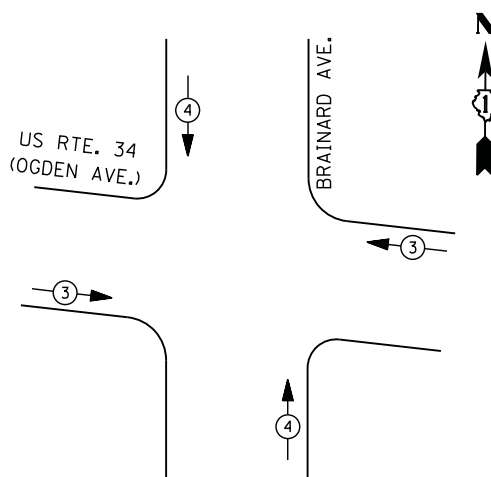




CONTROLLER SEQUENCE



PHASE DESIGNATION DIAGRAM



EMERGENCY VEHICLE PREEMPTION SEQUENCE

EMERGENCY VEHICLE PREEMPTORS		
EMERGENCY VEHICLE PREEMPTOR	3	4
MOVEMENT	← →	↑ ↓

I. D. O. T. TRAFFIC SIGNAL INSTALLATION ELECTRICAL SERVICE REQUIREMENTS

TYPE	NO. LAMPS	WATTAGE		% OPERATIONS	TOTAL WATTAGE
		INCAND.	LED		
SIGNAL (RED)	12	135	17	0.50	102
(YELLOW)	12	135	25	0.25	75
(GREEN)	12	135	15	0.25	45
ARROW	0	135	12	0.10	0
PED. SIGNAL	8	90	25	1.00	200
CONTROLLER	1	100	100	1.00	100
ILLUM. SIGN		252	25	0.05	
VIDEO SYSTEM		150	-	1.00	
FLASHER LED					
TOTAL =					522

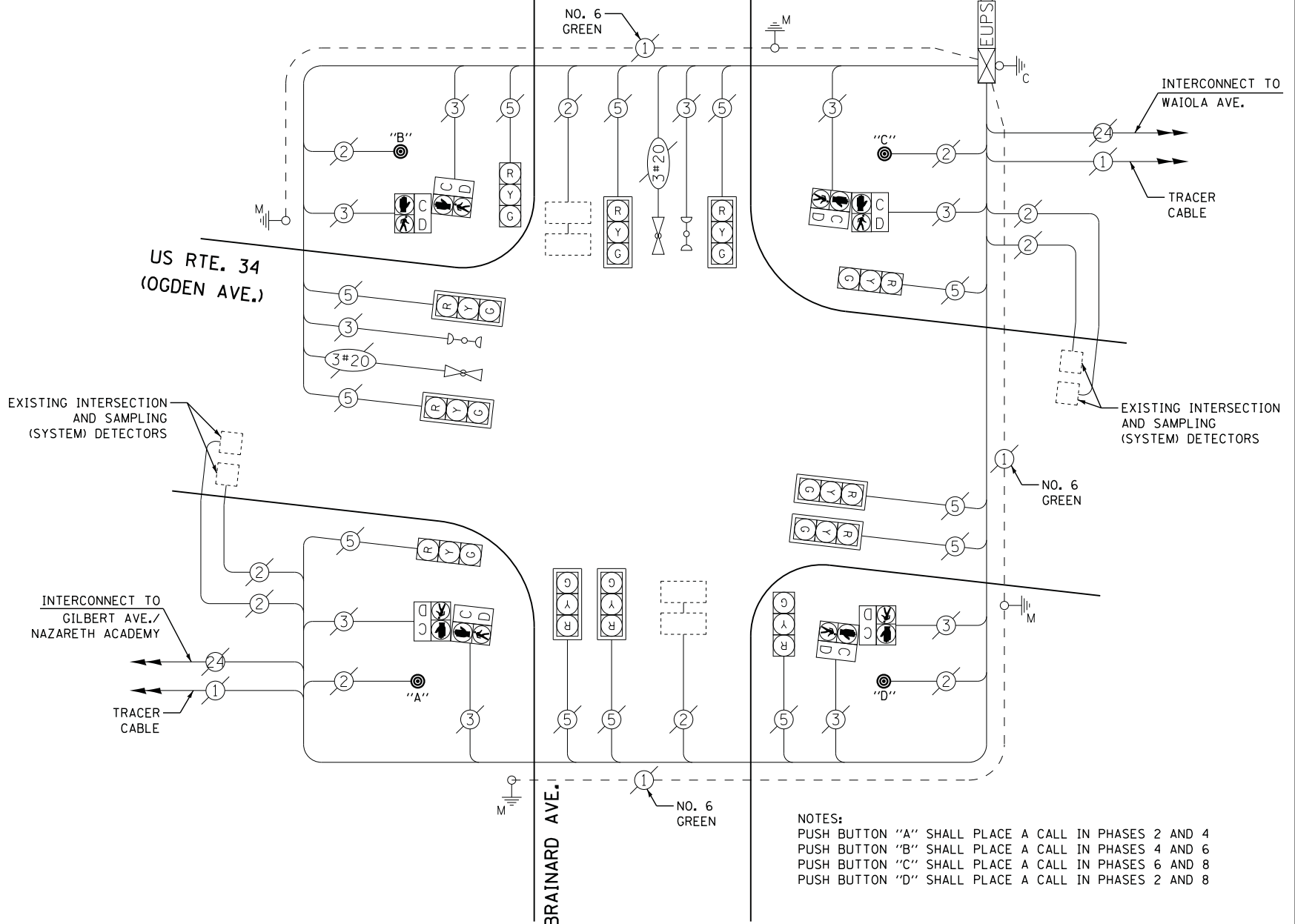
BILLED TO: IDOT DISTRICT 1
201 WEST CENTER COURT
SCHAUMBURG, IL 60196-1096

CONTACT ILYAS MOHIUDDIN
PHONE 708-235-2692
COMMONWEALTH EDISON

LEGEND

- ⊙* DUAL ENTRY PHASE
- ⊙* PEDESTRIAN PHASE
- ⊙* SINGLE ENTRY PHASE
- ⊙* OL OVERLAP

NUMBER REFERS TO ASSOCIATED PHASE



CABLE PLAN

NOTES:
PUSH BUTTON "A" SHALL PLACE A CALL IN PHASES 2 AND 4
PUSH BUTTON "B" SHALL PLACE A CALL IN PHASES 4 AND 6
PUSH BUTTON "C" SHALL PLACE A CALL IN PHASES 6 AND 8
PUSH BUTTON "D" SHALL PLACE A CALL IN PHASES 2 AND 8

SCHEDULE OF QUANTITIES

QUANTITY	UNIT	ITEM
1	EACH	MAINTENANCE OF EXISTING TRAFFIC SIGNAL INSTALLATION
1	EACH	REMOVE EXISTING TRAFFIC SIGNAL EQUIPMENT
4	EACH	PEDESTRIAN PUSH-BUTTON, NON-LATCHING

REMOVAL OF EXISTING TRAFFIC SIGNAL EQUIPMENT

THE FOLLOWING ITEMS SHALL BE REMOVED BY THE CONTRACTOR AND SHALL BE DISPOSED OF BY THEM OUTSIDE THE RIGHT-OF-WAY AT THEIR EXPENSE. THE SALVAGE VALUE OF THE REMOVED EQUIPMENT SHALL BE REFLECTED IN THE CONTRACT BID PRICE.

4	EACH	PEDESTRIAN PUSH-BUTTON
---	------	------------------------

FILE NAME = M:\p\2014\1481\2103 PTB 168-011 SINGH.IDOT VAR-VAR\WD14-001 Central.Cook Co.LED4\Design\CA0\Sheet Files\13855_CAB_C006.dgn

STATE OF ILLINOIS DEPARTMENT OF TRANSPORTATION

U.S. ROUTE 34 (OGDEN AVENUE) AT BRAINARD AVENUE SCHEDULE OF QUANTITIES, CABLE PLAN, PHASE DESIGNATION DIAGRAM AND EMERGENCY VEHICLE PREEMPTION SEQUENCE

F.A. RTE.	SECTION	COUNTY	TOTAL SHEETS	SHEET NO.
	2014-019TS	COOK	90	64
			CONTRACT NO. 60Y05	
ILLINOIS				

TS #13855
LA GRANGE

SCALE: N.T.S. SHEET NO. OF SHEETS STA. TO STA.