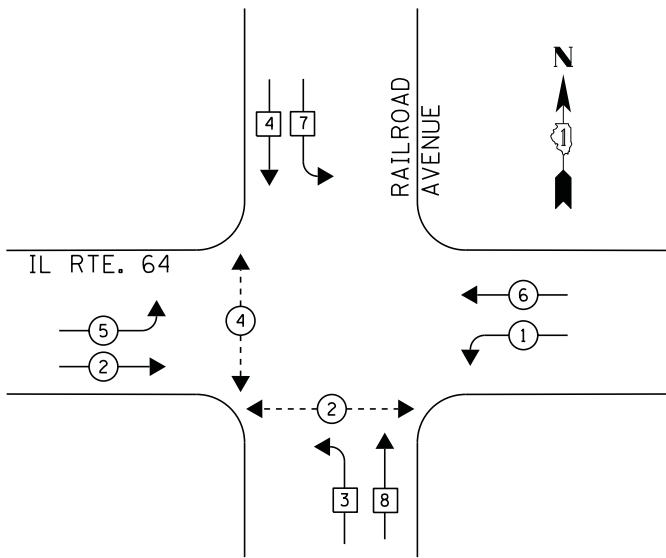
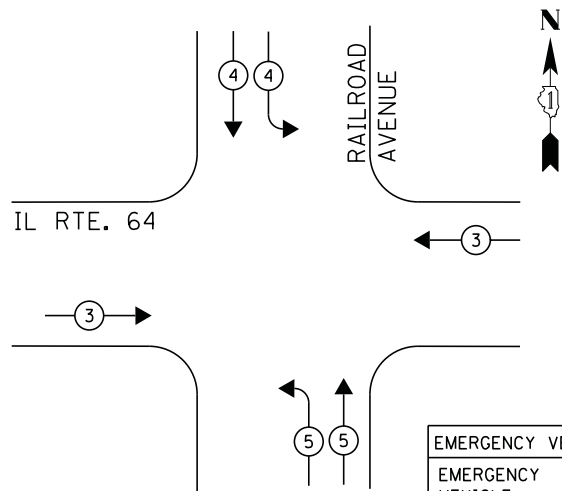


CONTROLLER SEQUENCE

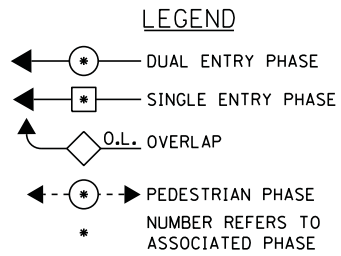


PHASE DESIGNATION DIAGRAM

EMERGENCY VEHICLE PREEMPTION SEQUENCE



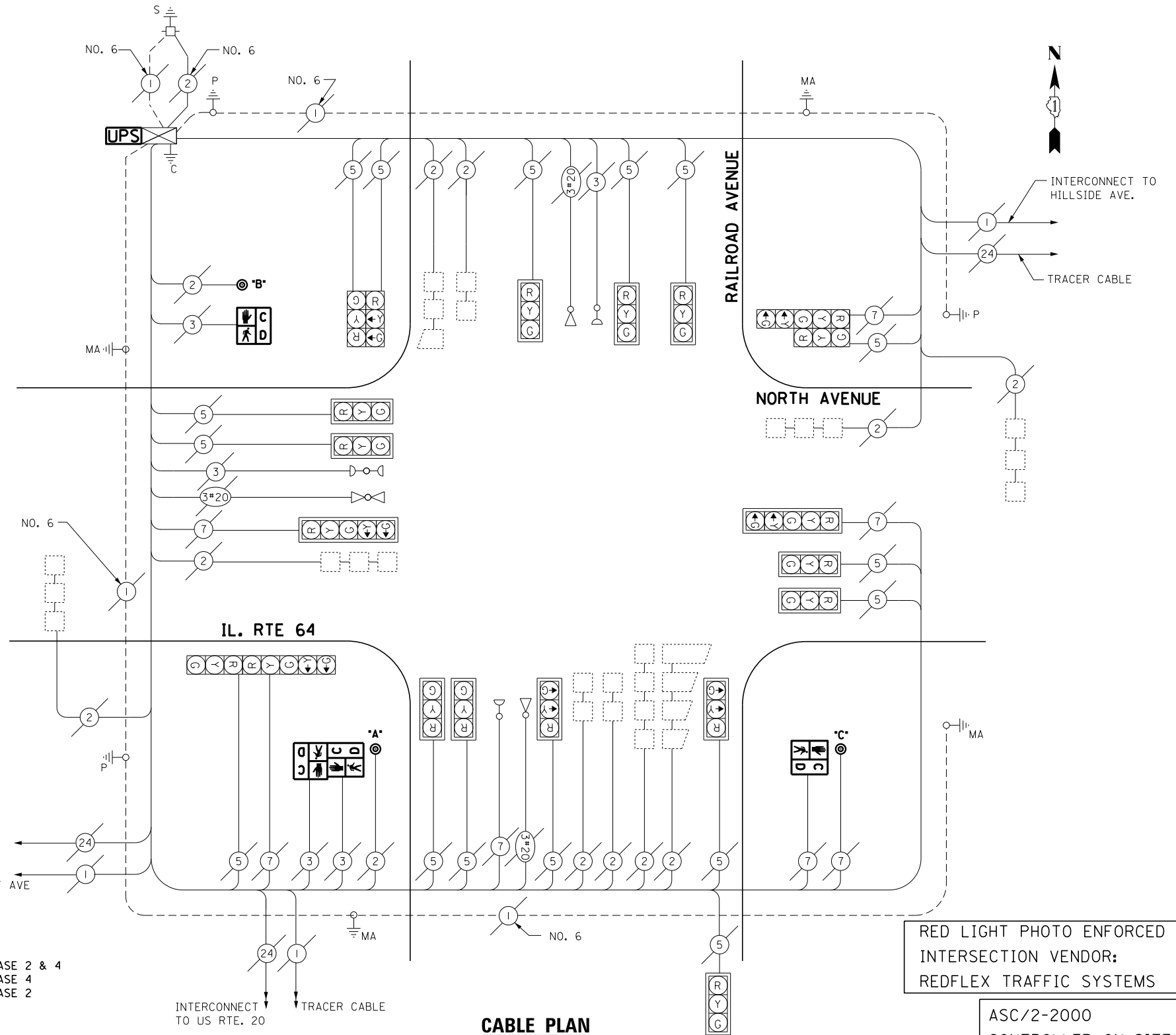
EMERGENCY VEHICLE PREEMPTOR			
EMERGENCY VEHICLE PREEMPTOR	3	4	5
MOVEMENT	↔	↘	↗



NOTE:
PUSH BUTTON "A" PLACES A CALL IN PHASE 2 & 4
PUSH BUTTON "B" PLACES A CALL IN PHASE 4
PUSH BUTTON "C" PLACES A CALL IN PHASE 2

SCHEDULE OF QUANTITIES

QUANTITY	UNIT	ITEM
1	EACH	MAINTENANCE OF EXISTING TRAFFIC SIGNAL INSTALLATION
2	EACH	PEDESTRIAN SIGNAL HEAD, LED, 1-FACE, BRACKET MOUNTED WITH COUNTDOWN TIMER
1	EACH	PEDESTRIAN SIGNAL HEAD, LED, 2-FACE, BRACKET MOUNTED WITH COUNTDOWN TIMER
1	EACH	MODIFY EXISTING CONTROLLER CABINET
1	EACH	REMOVE EXISTING TRAFFIC SIGNAL EQUIPMENT
1	EACH	UNINTERRUPTABLE POWER SUPPLY, SPECIAL
3	EACH	PEDESTRIAN PUSH-BUTTON, NON-LATCHING



CABLE PLAN

REMOVAL OF EXISTING TRAFFIC SIGNAL EQUIPMENT

THE FOLLOWING ITEMS SHALL BE REMOVED BY THE CONTRACTOR AND SHALL BE DISPOSED OF BY THEM OUTSIDE THE RIGHT-OF-WAY AT THEIR EXPENSE. THE SALVAGE VALUE OF THE REMOVED EQUIPMENT SHALL BE REFLECTED IN THE CONTRACT BID PRICE.

- 4 EACH PEDESTRIAN SIGNAL HEAD
- 3 EACH PEDESTRIAN PUSH-BUTTON

RED LIGHT PHOTO ENFORCED
INTERSECTION VENDOR:
REFLEX TRAFFIC SYSTEMS

ASC/2-2000
CONTROLLER ON-SITE

TRAFFIC SIGNAL EQUIPMENT
SHALL BE ECONOLITE TO
MATCH THE ADJACENT
EXISTING SYSTEM

TS# 3075
NORTHLAKE

I.D.O.T. TRAFFIC SIGNAL INSTALLATION ELECTRICAL SERVICE REQUIREMENTS				
TYPE	NO LAMPS	WATTAGE		TOTAL WATTAGE
		INCAND.	LED	
SIGNAL (RED)	20	17	0.5	170
(YELLOW)	20	25	0.25	125
(GREEN)	20	15	0.25	75
ARROW	8	12	0.10	9.6
PED. SIGNAL	4	25	1.00	100
CONTROLLER	1	100	1.00	100
ILLUM. SIGN		25	0.05	-
VIDEO SYSTEM		-	1.00	-
FLASHER				
ENERGY COSTS TO:				TOTAL = 579.6
ILLINOIS DEPARTMENT OF TRANSPORTATION 201 WEST CENTER COURT SCHAUMBURG, ILLINOIS 60196-1096 ENERGY SUPPLY CONTACT: JOE STACHO PHONE: (630) 424-5704 COMPANY: COMMONWEALTH EDISON				
FILE NAME =	USER NAME = .USER.	DESIGNED - M.A./V.O.	REVISED -	
J:\13155\Work Order 2\DCN\CADD Sheets\060118-sht-ts-47_3075.dgn		DRAWN - Y.J./E.C.	REVISED -	
PLOT SCALE = 20.0000' / in.		CHECKED - I.Y.	REVISED -	
PLOT DATE = 5/14/2014		DATE - 5/16/2014	REVISED -	

STATE OF ILLINOIS
DEPARTMENT OF TRANSPORTATION

SCHEDULE OF QUANTITIES, CABLE PLAN, PHASE DESIGNATION DIAGRAM, AND
EMERGENCY VEHICLE PREEMPTION SEQUENCE
IL RTE 64 (NORTH AVENUE) AT RAILROAD AVENUE

SCALE: NTS SHEET NO. 1 OF 1 SHEETS STA. N/A TO STA. N/A

F.A.P. RTE.	SECTION	COUNTY	TOTAL SHEETS	SHEET NO.
	2014-03215	COOK	68	63
CONTRACT NO. 60Y18				
ILLINOIS FED. AID PROJECT				