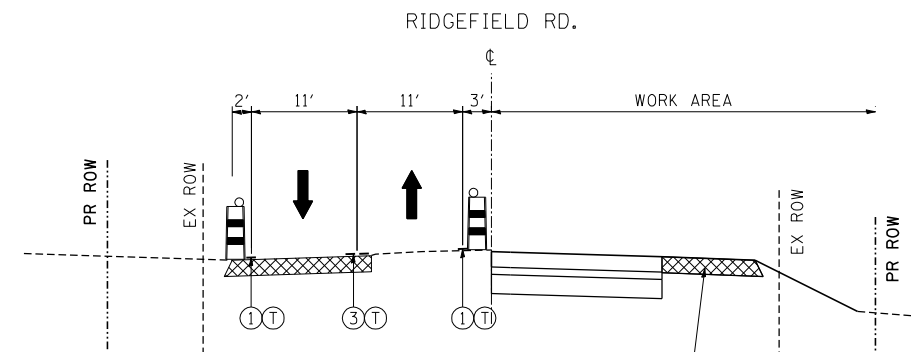


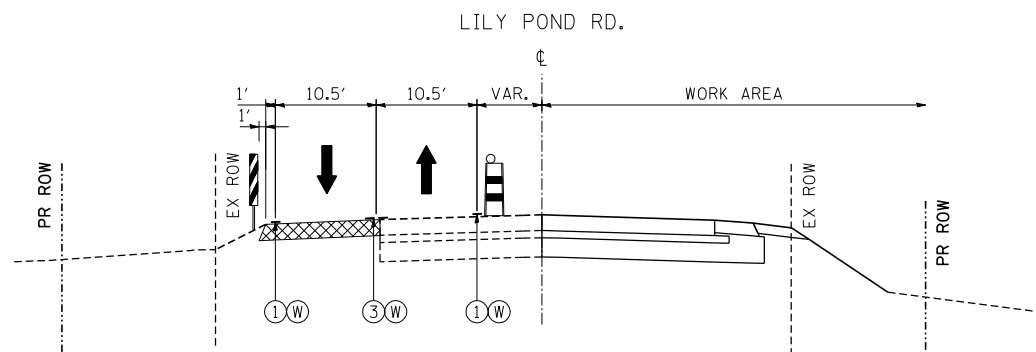
MOT STAGE 2.1 SUBSTAGE A-2 TYPICAL SECTION MM-MM

LILY POND RD.
STA. 804+00



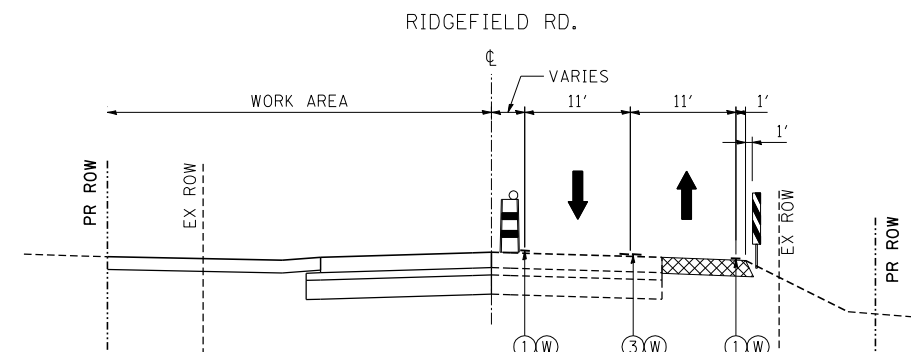
MOT STAGE 2.1 SUBSTAGE B-2 TYPICAL SECTION 00-00

RIDGEFIELD RD. NORTH
STA. 854+00



MOT STAGE 2.1 SUBSTAGE A-3 TYPICAL SECTION NN-NN

LILY POND RD.
STA. 804+00



MOT STAGE 2.1 SUBSTAGE B-3 TYPICAL SECTION PP-PP

RIDGEFIELD RD. NORTH
STA. 854+00

MAINTENANCE OF TRAFFIC LEGEND

- TEMPORARY PAVEMENT (SEE SHT 83 FOR SECTION)
- TEMPORARY CONCRETE BARRIER
- TYPE II BARRICADE OR DRUM W/ TYPE C STEADY BURN BI-DIRECTIONAL LIGHT
- DOUBLE VERTICAL PANEL WITH TYPE C STEADY BURN BI-DIRECTIONAL LIGHT
- EXISTING TRAFFIC DIRECTION
- PROPOSED TRAFFIC DIRECTION
- 1 PVT MK - LINE 4" WHITE
- 2 PVT MK - LINE 4" YELLOW
- 3 PVT MK - DBL 4" YELLOW
- 4 PVT MK - LINE 6" WHITE
- 5 PVT MK - LINE 8" WHITE
- 6 EXISTING PAVEMENT MARKING
- T TEMP PVT MK
- W WET REF TEM TAPE T3

NOTE:

1. TEMPORARY PAVEMENT CONSTRUCTED DURING STAGE 2.1 SUBSTAGE A-2 AND B-2 SHALL BE CONSTRUCTED AS PERMANENT SHOULDER ALONG LILY POND RD AND RIDGEFIELD ROAD NORTH.

\NTSC00\31.DGN...NTTB006.LJ.DGN...GEN00477.DGN
 11-07-2013 16:25:46 HECHTBR T:\DOCUMENT\934990\CIVIL\DGN\TSC00.FPO.DGN

FILE NAME = #FILEL#	USER NAME = HECHTBR	DESIGNED -	REVISED -
		DRAWN - JP	REVISED -
		CHECKED - BRH	REVISED -
		DATE - 11/01/13	REVISED -

STATE OF ILLINOIS
DEPARTMENT OF TRANSPORTATION
 U.S. ROUTE 14

MOT TYPICAL SECTIONS			
LILY POND ROAD & RIDGEFIELD ROAD NORTH			
STAGE 2.1 SUBSTAGE A-2, A-3, B-2 & B-3			
SCALE: N.T.S.	SHEET NO.	OF SHEETS	STA. TO STA.

F.A.P. RTE.	SECTION	COUNTY	TOTAL SHEETS	SHEET NO.
305	27R-2	MCHENRY	673	92
CONTRACT NO. 62268				
FED. ROAD DIST. NO. 1 ILLINOIS FED. AID PROJECT				