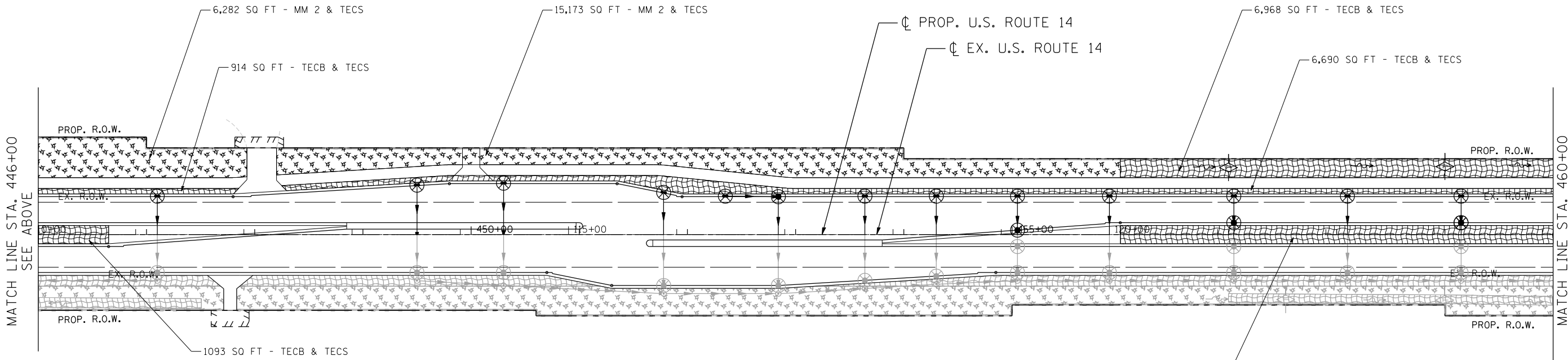


NOTE: THE PIPES AND STRUCTURES SHOWN ARE PROPOSED, UNLESS OTHERWISE CALLED AS TEMPORARY. SEE PROPOSED DRAINAGE PLANS FOR PROPOSED PIPE AND STRUCTURE INFORMATION.



EROSION CONTROL LEGEND

| | | | | | |
|--|---------------------------------|--|---|--|--|
| | INLET FILTER | | TEMPORARY EROSION CONTROL BLANKET (TECB) & TEMPORARY EROSION CONTROL SEEDING (TECS) | | PROPOSED PAVEMENT |
| | TEMPORARY DITCH CHECK | | MULCH, METHOD 2 (MM 2) & TEMPORARY EROSION CONTROL SEEDING (TECS) | | INLET AND PIPE PROTECTION |
| | PERIMETER EROSION BARRIER (PEB) | | EROSION CONTROL MEASURES (TECB, MM 2 AND TECS) PLACED IN PREVIOUS STAGES | | TEMPORARY PAVEMENT PLACED IN PREVIOUS STAGES |
| | TEMPORARY PAVEMENT | | | | |

| | | | |
|------------------------|---------------------|-----------------|-----------|
| FILE NAME = #FILEL# | USER NAME = HECHTBR | DESIGNED - | REVISED - |
| | | DRAWN - MRK | REVISED - |
| | | CHECKED - TKL | REVISED - |
| | | DATE - 11/01/13 | REVISED - |

**STATE OF ILLINOIS
DEPARTMENT OF TRANSPORTATION
U.S. ROUTE 14**

| | | | |
|---|-----------|-----------|--------------|
| EROSION CONTROL STAGE 2.1 STA. 432 + 50 TO STA. 460 + 00 | | | |
| SCALE: 1"=50' | SHEET NO. | OF SHEETS | STA. TO STA. |

| | | | | |
|---|---------|---------|--------------------|-----------|
| F.A.P. RTE. | SECTION | COUNTY | TOTAL SHEETS | SHEET NO. |
| 305 | 27R-2 | MCHENRY | 673 | 242 |
| FED. ROAD DIST. NO. 1 ILLINOIS FED. AID PROJECT | | | CONTRACT NO. 62268 | |

\P\000015.DGN, \GEN00017.DGN, \P\000015.DGN, \TTB0001.JJ.DGN
 11-06-2013, 16:16:32
 HECHTBR T:\DOCUMENT\19343901\CIVIL\00N\EROC00.kx.dgn

