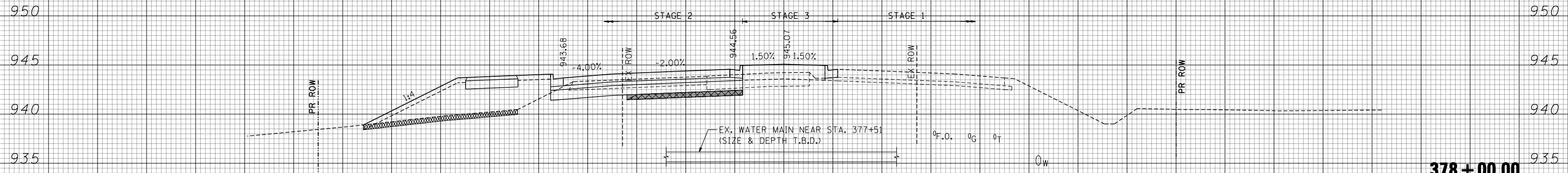


150 140 130 120 110 100 90 80 70 60 50 40 30 20 10 0 10 20 30 40 50 60 70 80 90 100 110 120 130 140 150

PR C US RTE 14

DATE	
BY	
SURVEYED	
PLOTTED	
TEMPLATE	
NOTE BOOK	
AREAS CHECKED	
NO.	

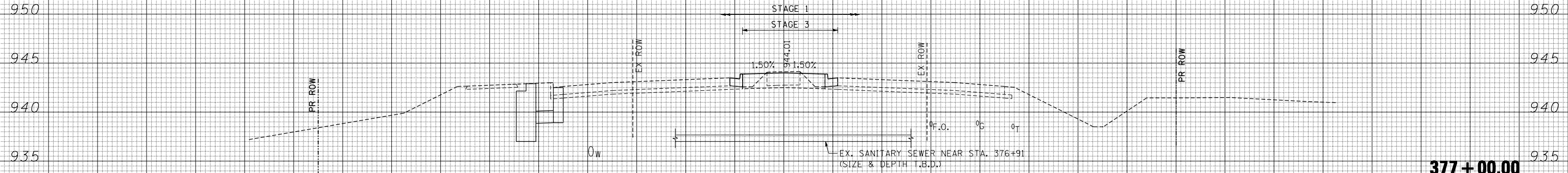


STAGE 2
 EARTH EXCAVATION = 26.5 SQ FT
 TOPSOIL EXCAVATION = 27.0 SQ FT
 EMBANKMENT = 87.7 SQ FT
 UNSUIT. MATERIALS = 11.3 SQ FT
 AGGREGATE SUBGRADE IMPROVEMENT (CU YD) PLACEMENT = 11.8 SQ FT

STAGE 3
 EARTH EXCAVATION = 0.9 SQ FT
 TOPSOIL EXCAVATION = 0.0 SQ FT
 EMBANKMENT = 9.8 SQ FT

378 + 00.00

DATE	
BY	
SURVEYED	
PLOTTED	
TEMPLATE	
NOTE BOOK	
AREAS CHECKED	
NO.	



STAGE 2
 EARTH EXCAVATION = 0.0 SQ FT
 TOPSOIL EXCAVATION = 0.0 SQ FT
 EMBANKMENT = 0.0 SQ FT

STAGE 3
 EARTH EXCAVATION = 10.4 SQ FT
 TOPSOIL EXCAVATION = 0.0 SQ FT
 EMBANKMENT = 0.0 SQ FT

377 + 00.00

- LEGEND**
- TOPSOIL REMOVAL
 - UNSUIT. MATERIAL
 - AGGREGATE SUBGRADE IMPROVEMENT (CU YD)
 - EARTH EXCAVATION MULTI-USE PATH (80% IDOT 20% MCD)

PR C US RTE 14

150 140 130 120 110 100 90 80 70 60 50 40 30 20 10 0 10 20 30 40 50 60 70 80 90 100 110 120 130 140 150

FILE NAME =
 #FILEL#
 exp U.S. Services Inc.
 Chicago, IL
 BUILDINGS-EARTH & ENVIRONMENT-ENERGY
 INDUSTRIAL-INFRASTRUCTURE-SUSTAINABILITY

USER NAME = #USERS#	DESIGNED -	REVISED -
	DRAWN - AG	REVISED -
PLOT SCALE = #SCALE#	CHECKED - BRH	REVISED -
PLOT DATE = #DATE#	DATE - 11/01/13	REVISED -

**STATE OF ILLINOIS
 DEPARTMENT OF TRANSPORTATION**

U.S. ROUTE 14 CROSS SECTIONS

SCALE: HORIZ. 1" = 10' VERT. 1" = 5' STA. 377+00.00 TO STA. 378+00.00

F.A.P. RTE.	SECTION	COUNTY	TOTAL SHEETS	SHEET NO.
305	27R-2	MCHENRY	673	599
			CONTRACT NO. 62268	
ILLINOIS FED. AID PROJECT				