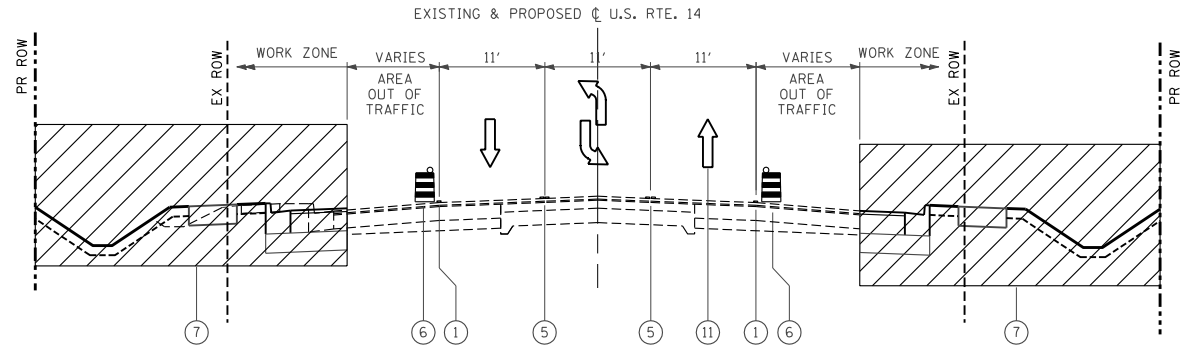
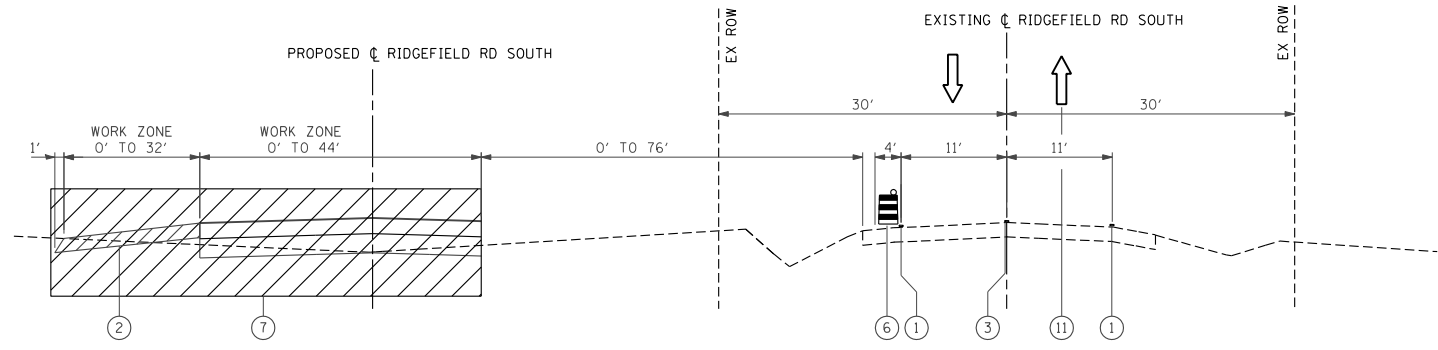


STAGE 1  
MAINTENANCE OF TRAFFIC: U.S. ROUTE 14  
STA. 493+00 TO STA. 599+00



STAGE 1  
MAINTENANCE OF TRAFFIC: U.S. ROUTE 14  
STA. 599+00 TO STA. 619+25.58



STAGE 1  
MAINTENANCE OF TRAFFIC: RIDGEFIELD ROAD SOUTH  
STA. 900+00 TO STA. 904+25

- LEGEND**
- ① WET REFLECTIVE TEMPORARY TAPE TYPE III, 4 INCH (WHITE)
  - ② TEMPORARY PAVEMENT
  - ③ WET REFLECTIVE TEMPORARY TAPE TYPE III, 6 INCH (WHITE)
  - ④ WET REFLECTIVE TEMPORARY TAPE TYPE III, 6 INCH (DOUBLE YELLOW)
  - ⑤ WET REFLECTIVE TEMPORARY TAPE TYPE III, 4 INCH (YELLOW)
  - ⑥ DRUM WITH STEADY BURNING LIGHT
  - ⑦ WORK ZONE
  - ⑧ VERTICAL PANEL
  - ⑨ TOPSOIL EXCAVATION AND PLACEMENT (6")
  - ⑩ TEMPORARY EROSION CONTROL SEEDING
  - ⑪ TRAFFIC DIRECTION
  - ⑫ SEEDING, CLASS 2A
  - ⑬ SODDING, SALT TOLERANT

\* FROM STA. 520+16.26 TO STA. 533+50.44  
\*\* FROM STA. 554+42.21 TO STA. 560+51.51

- NOTES**
1. ALL TEMPORARY PAVEMENT MARKINGS IN STAGE 1 SHALL BE PAINTED. ALL TEMPORARY PAVEMENT MARKINGS OF SUB-STAGE 1 IN PLACE FOR WINTER SHUT DOWN SHALL BE PAINTED.
  2. SEE SHEET 12 FOR TEMPORARY PAVEMENT STRUCTURE DETAIL.

FILE NAME =	USER NAME = .USERNAME.	DESIGNED - JW	REVISED -	<b>STATE OF ILLINOIS DEPARTMENT OF TRANSPORTATION</b>	<b>MAINTENANCE OF TRAFFIC TYPICAL SECTIONS STAGE 1</b>			F.A. RTE.	SECTION	COUNTY	TOTAL SHEETS	SHEET NO.	
S:\1606\CADD Sheets\0162517-sht-typical-MOT.dgn		DRAWN - JW	REVISED -					305	27R-3	MCHENRY	431	66	
PLOT SCALE = 20.00000' / IN.		CHECKED - MGZ	REVISED -		SCALE: NTS			SHEET NO. 66 OF 431 SHEETS		STA. TO STA.		CONTRACT NO. 62517	
PLOT DATE = 10/9/2013		DATE - 10/15/2013	REVISED -		ILLINOIS FED. AID PROJECT								