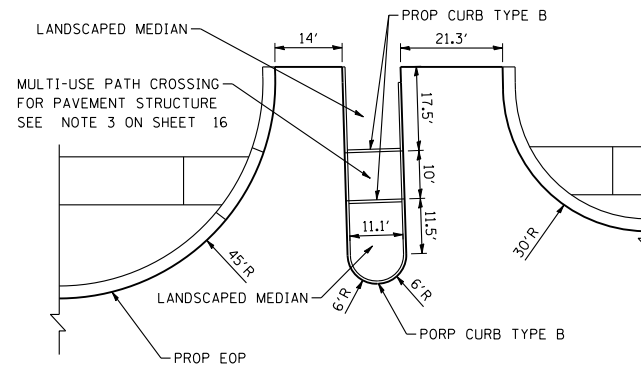
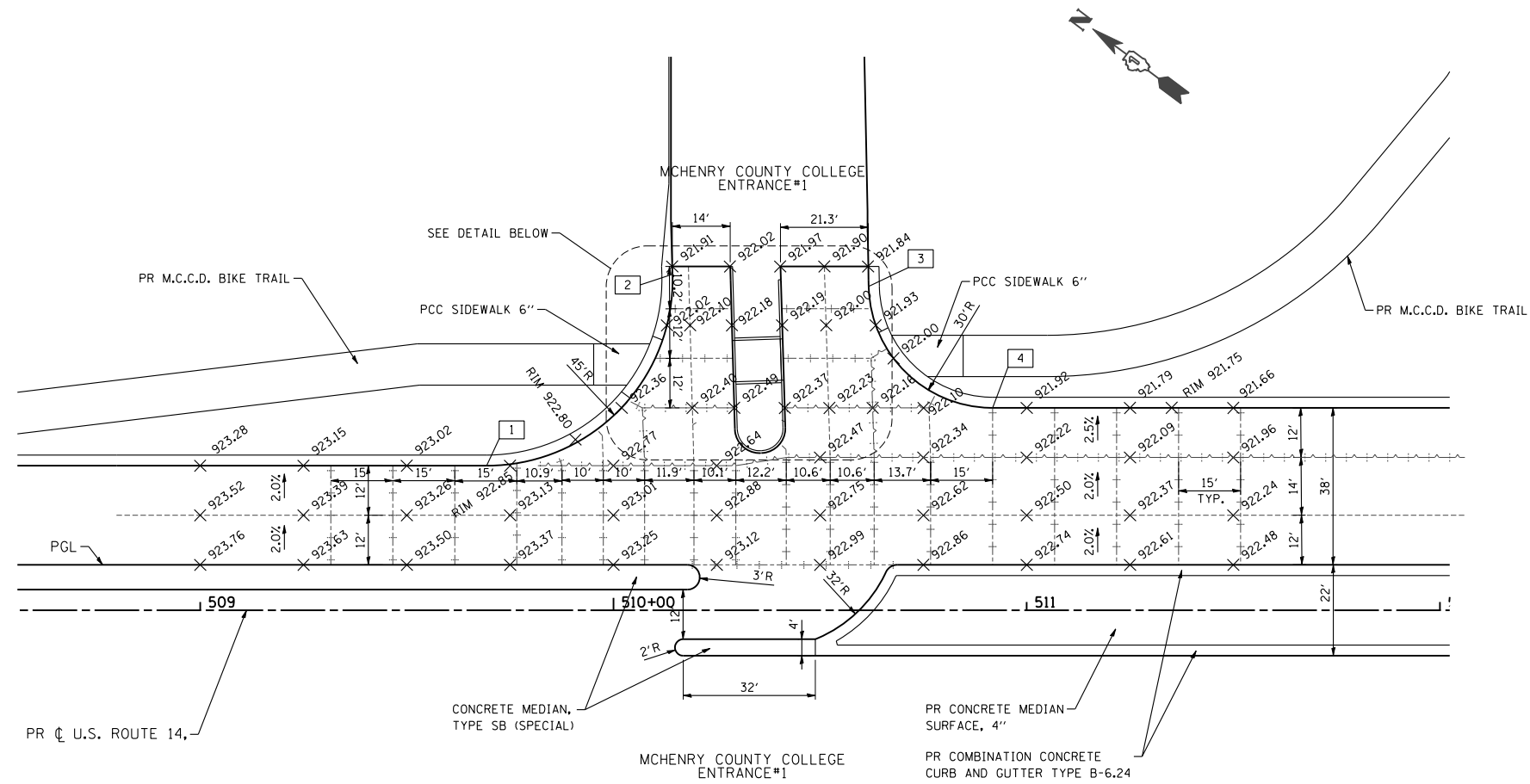


EDGE OF PAVEMENT ELEVATIONS

ALIGNMENT	STATION	OFFSET TO EOP	EOP ELEV	REMARK	
1	ROUTE 14	509+69.31	35.00 FT LT	922.85	PT
2	ROUTE 14	510+14.29	81.33 FT LT	921.54	PC
3	ROUTE 14	510+61.77	78.41 FT LT	921.00	PC
4	ROUTE 14	510+91.76	49.00 FT LT	921.96	PT



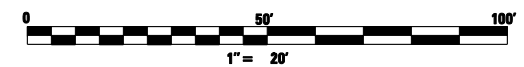
DETAIL

LEGEND

- LONGITUDINAL CONSTRUCTION JOINT
- +--+ SAWED TRANSVERSE CONTRACTION JOINT
- LONGITUDINAL CONSTRUCTION JOINT W/ DOWEL BARS

NOTES:

1. ADDITIONAL JOINTS MAY BE REQUIRED IN THE FIELD, AS DIRECTED BY THE ENGINEER. EXACT LOCATIONS TO BE VERIFIED IN THE FIELD, AND APPROVED BY THE ENGINEER.
2. SEE HIGHWAY STD 420101-04, 420106-04, 420111-03 AND DISTRICT 1 DETAIL BD52 FOR ADDITIONAL PAVEMENT JOINT DETAILS.
3. LONGITUDINAL CONSTRUCTION JOINTS WITH TIE BARS SHALL BE PLACED BETWEEN PCC PAVEMENT AND PCC SHOULDERS. NOT SHOWN FOR CLARITY.



FILE NAME = S:\1606\CADD Sheets\0162517-sht-intersec.dgn	USER NAME = .USERNAME.	DESIGNED - MM	REVISED -	STATE OF ILLINOIS DEPARTMENT OF TRANSPORTATION	INTERSECTION JOINTING DETAILS MCHENRY COUNTY COLLEGE ENTRANCE #1 & U.S. ROUTE 14	F.A.P. RTE. 305	SECTION 27R-3	COUNTY MCHENRY	TOTAL SHEETS 431	SHEET NO. 211		
PLOT SCALE = 40.0000' / IN.	CHECKED - MGZ	REVISED -	SCALE: 1"=20'			SHEET NO. 211 OF 431 SHEETS	STA. TO STA.	CONTRACT NO. 62517				
PLOT DATE = 10/14/2013	DATE - 10/15/2013	REVISED -	ILLINOIS FED. AID PROJECT									