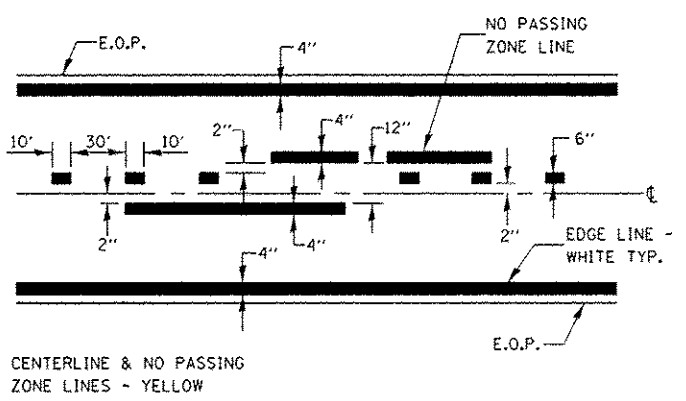
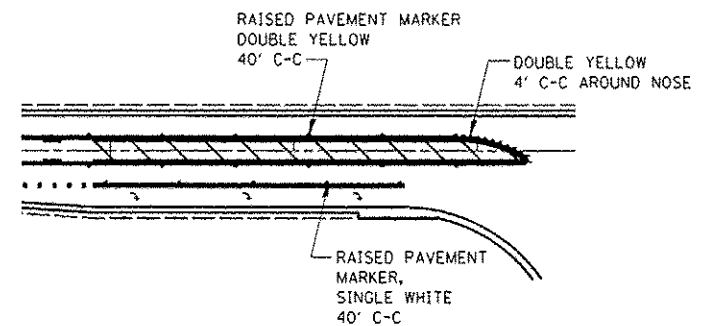


**TYPICAL APPLICATION
MEDIAN AND LEFT TURN LANE**

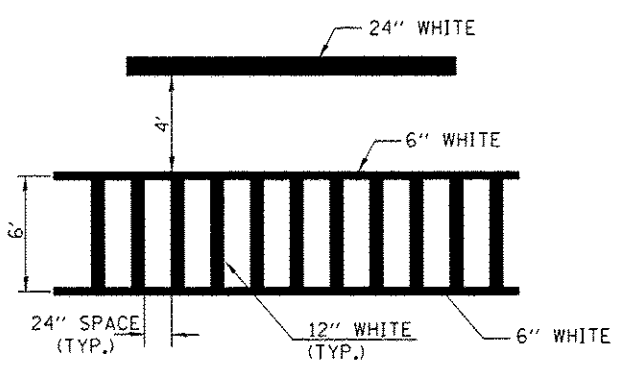


CENTERLINE & NO PASSING
ZONE LINES - YELLOW

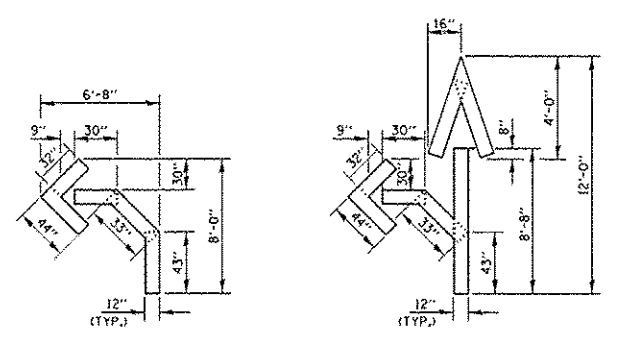
PAVEMENT MARKING



**RAISED REFLECTIVE PAVEMENT MARKERS
MEDIAN AND RIGHT TURN LANE**

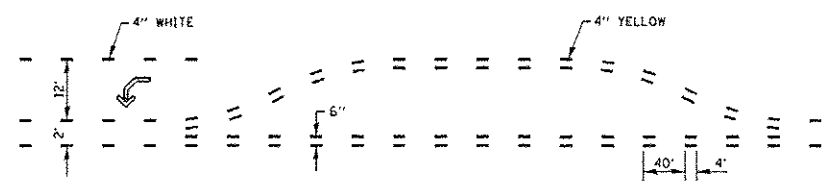


**TYPICAL SPACING DETAIL FOR
CROSSWALKS AND STOP BARS**



QUANTITY
12" LINE = 16 LIN. FT.
OR 4" LINE = 48 LIN. FT.

QUANTITY
12" LINE = 29 LIN. FT.
OR 4" LINE = 87 LIN. FT.



**SHORT-TERM PAVEMENT MARKING
FOR MEDIANS AND ARROWS**

FILE NAME -	USER NAME - carpenteraj	DESIGNED -	REVISED -
c:\pwork\pwork\carpenteraj\dms02592	sheet.dgn	DRAWN -	REVISED -
Defaults	PLOT SCALE = 40.0000 1" = 40'	CHECKED -	REVISED -
	PLOT DATE = 6/2/2014	DATE -	REVISED -

**STATE OF ILLINOIS
DEPARTMENT OF TRANSPORTATION**

DETAILS

SCALE: SHEET OF SHEETS STA. TO STA.

F.A.P. RTE.	SECTION	COUNTY	TOTAL SHEETS	SHEET NO.
330	(15)RS-5	KANKAKEE	31	29
CONTRACT NO. 66427				
ILLINOIS FED. AID PROJECT				