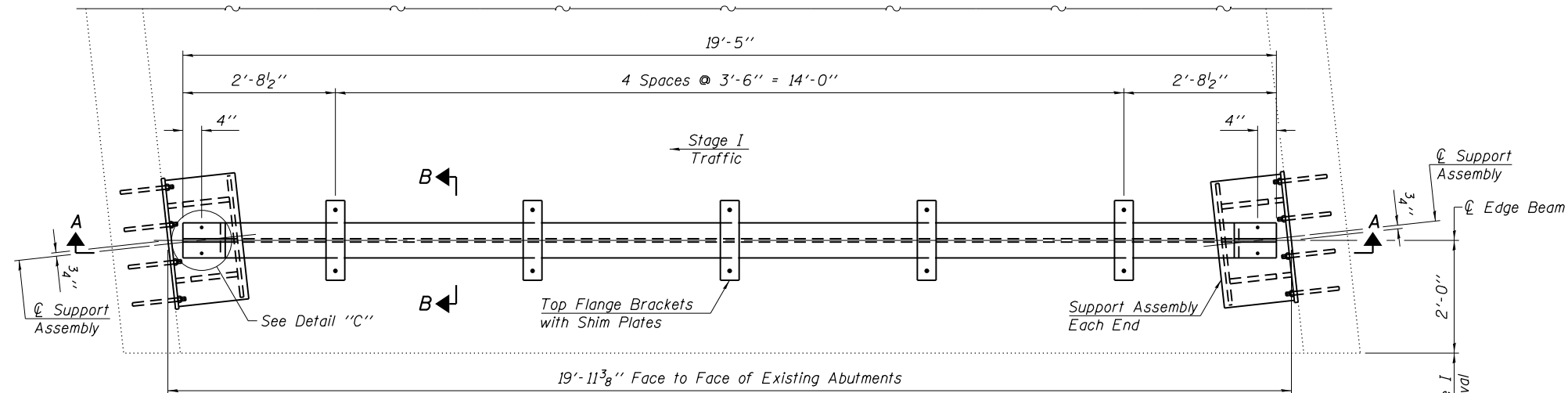


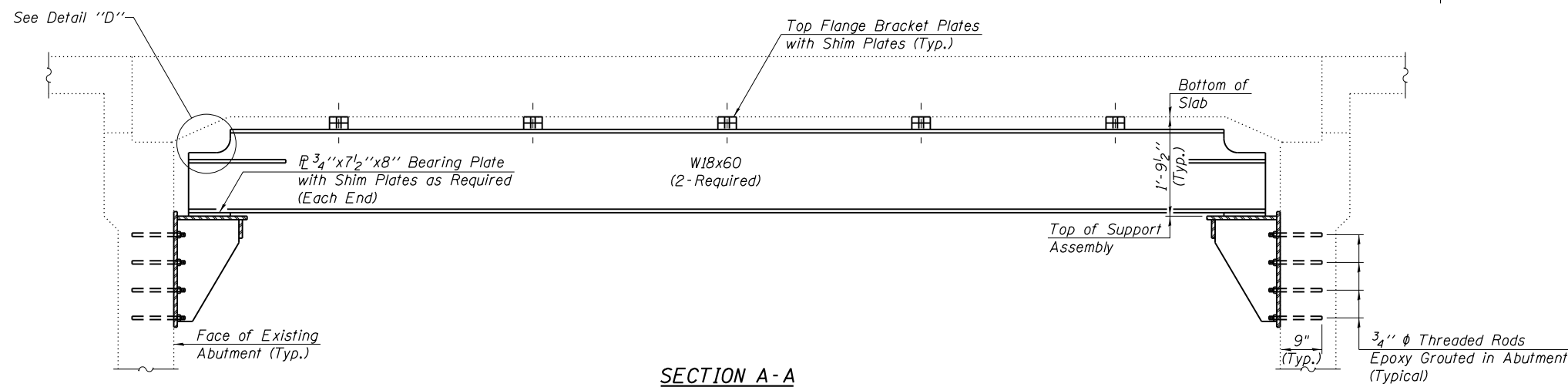
STATE OF ILLINOIS
DEPARTMENT OF TRANSPORTATION

ROUTE NO.	SECTION	COUNTY	TOTAL SHEETS	SHEET NO.
F.A.I. 57	••	IROQUOIS	190	59
FED. ROAD DIST. NO.	ILLINOIS			
*(38-4)RS-2, (38-4)BR1		Contract No. 66757		
Sheet 3 of 11 Sheets				

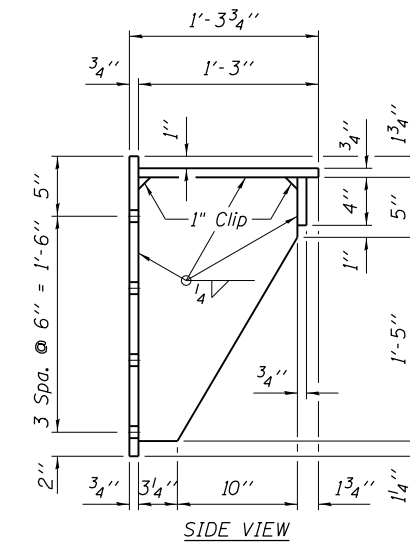


Notes:
All structural steel shall conform to AASHTO Classification M-270 Grade 36.
See Section 584 of the Standard Specifications for Epoxy Grouting.
All work and material associated with the placement of edge beams is included in the cost of Furnishing and Erecting Structural Steel.
Threaded rods shall conform with the requirements Article 1006.9 of the Standard Specifications.

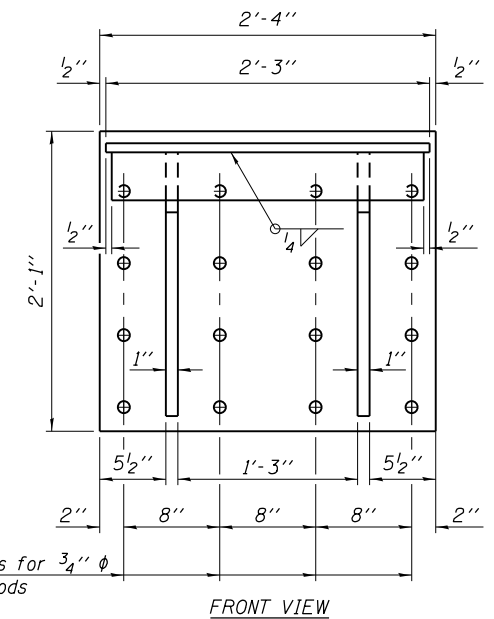
PLAN



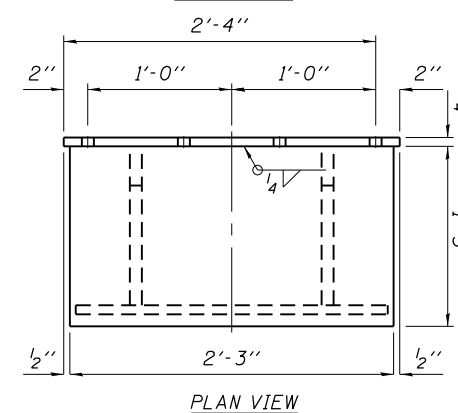
SECTION A-A



SIDE VIEW



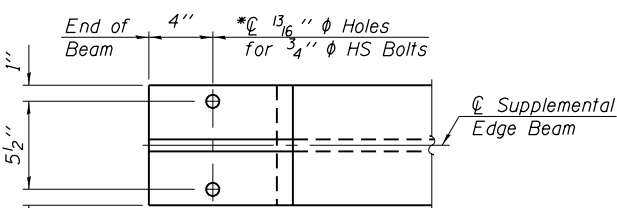
FRONT VIEW



PLAN VIEW

SUPPORT ASSEMBLY DETAILS
(4-Required)

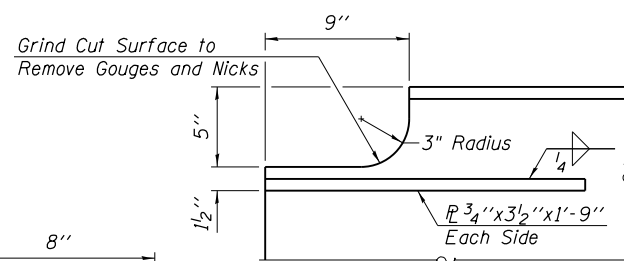
EDGE BEAM DETAILS
I-57 OVER
DANFORTH TOWNSHIP DRAINAGE DITCH
F.A.I. ROUTE 57
SECTION (38-4)RS-2, (38-4)BR1
IROQUOIS COUNTY
STATION 399+21.00
S.N. 038-2020



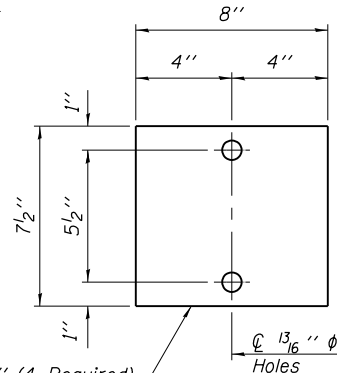
DETAIL "C"

*Note: 1 3/16" ϕ Holes in Support Assembly shall be drilled in field to match the location of holes in Beam Flange.

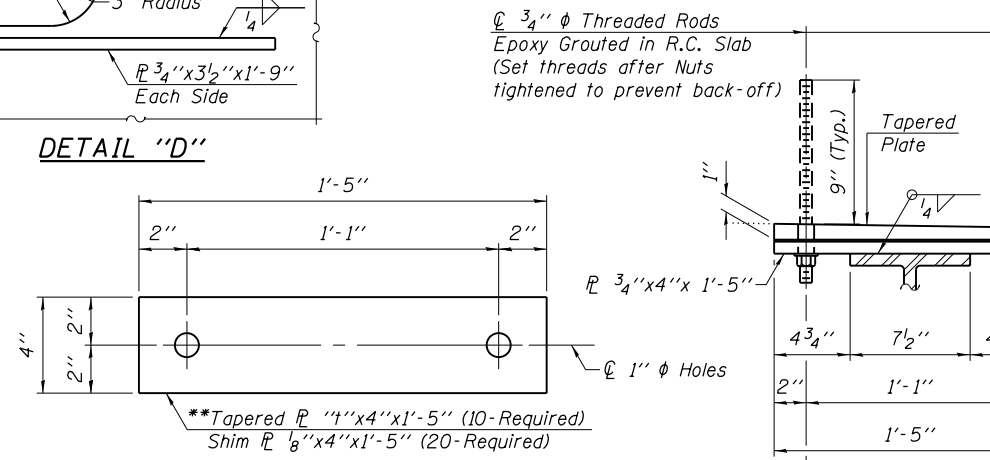
DESIGNED	J.A.M.
CHECKED	S.F.M. & A.R.K.
DRAWN	S.A.P.
CHECKED	A.R.K. & J.A.M.



DETAIL "D"



BEARING PLATE & BEARING SHIM PLAN



TOP FLANGE BRACKET TAPERED & SHIM PLATES PLAN

**See Section B-B for Tapered Plate Thickness "4".

