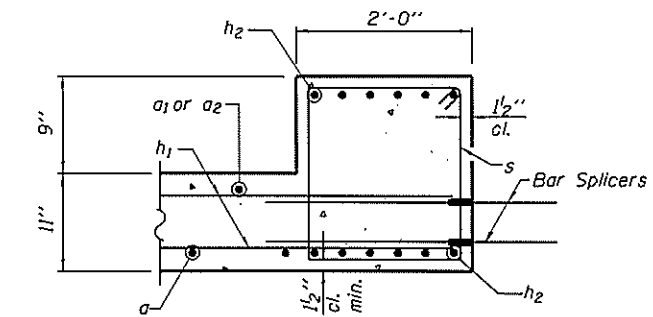
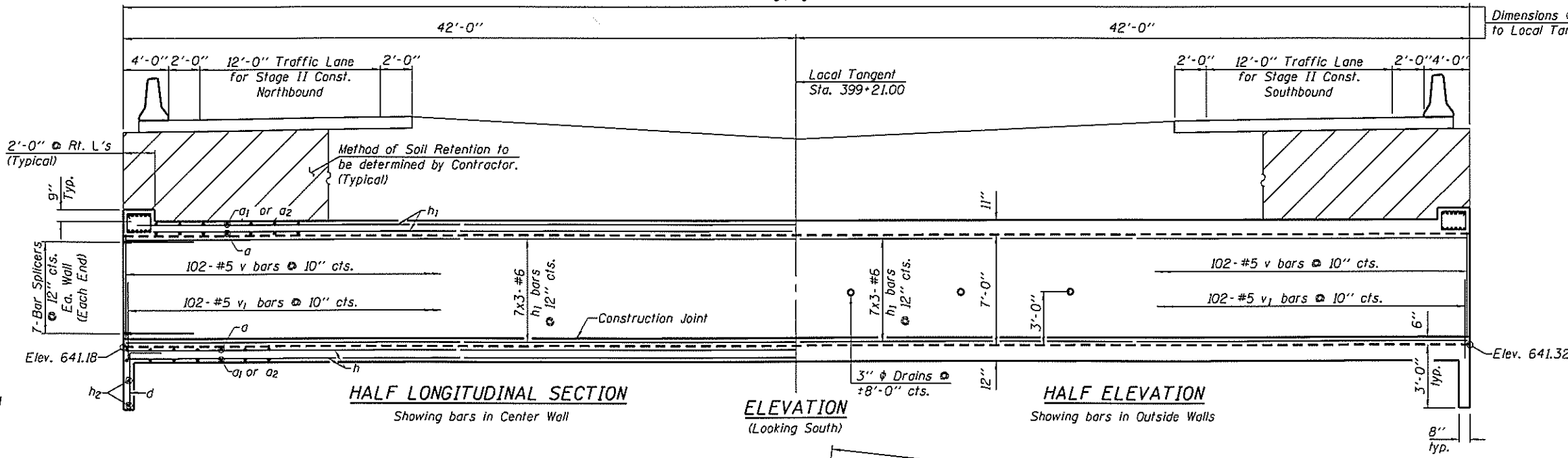


STATE OF ILLINOIS
DEPARTMENT OF TRANSPORTATION
84'-0"

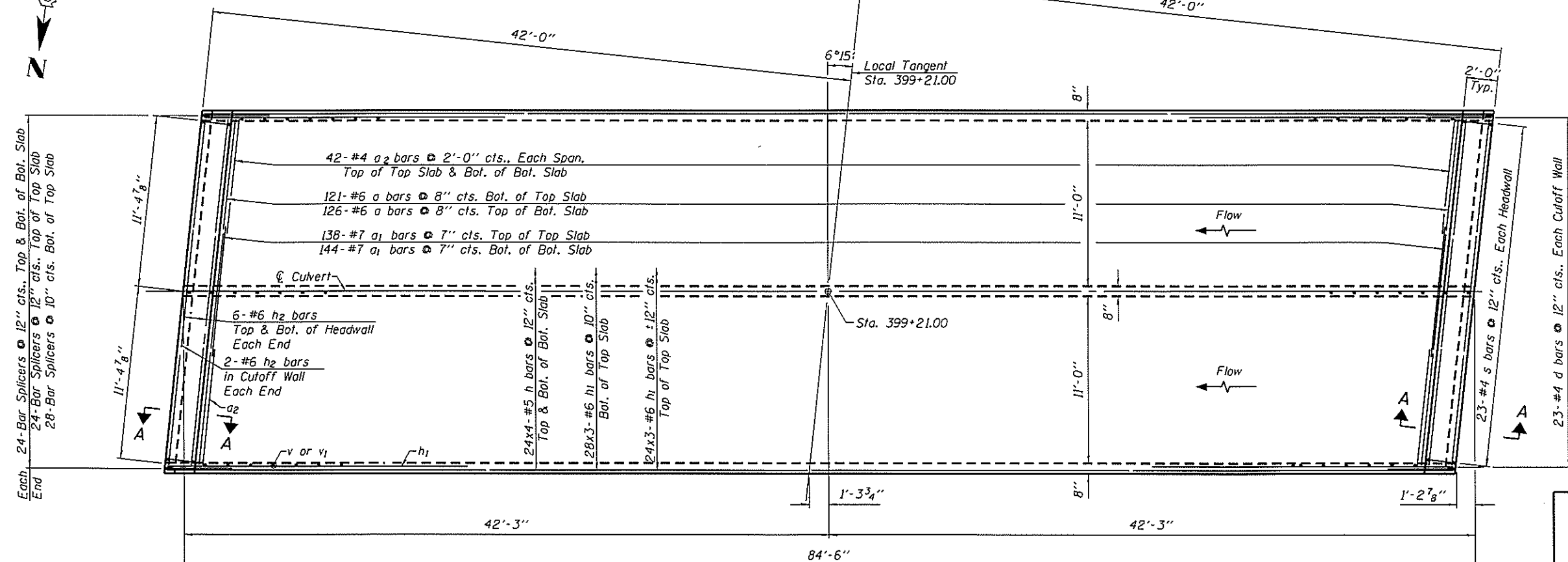
ROUTE NO.	SECTION	COUNTY	TOTAL SHEETS	SHEET NO.
F.A.I. 57	--	IROQUOIS	190	60

FED. ROAD DIST. NO. ILLINOIS
**138-4)RS-2, (38-4)BR1 Contract No. 66757
Sheet 4 of 11 Sheets



BILL OF MATERIAL - STAGE I

Bar	No.	Size	Length	Shape	
a	247	#6	25'-1"	U	
a1	282	#7	11'-6"	U	
a2	168	#4	7'-9"	U	
d	46	#4	5'-6"	U	
h	192	#5	22'-6"	U	
h1	219	#6	29'-6"	U	
h2	28	#6	23'-9"	U	
s	46	#4	7'-1"	U	
v	306	#5	7'-6"	U	
v1	306	#5	3'-0"	U	
Reinforcement Bars				Pound	35,750
Concrete Box Culverts				Cu. Yd.	192.8



DESIGNED -	S.F.M.
CHECKED -	J.A.M.
DRAWN -	S.A.P.
CHECKED -	S.F.M. & J.A.M.

Note: Bars indicated thus, 24x4-#5 etc. indicates 24 lines of bars with 4 lengths per line.

PLAN

MINIMUM BAR LAP - BARREL

#4 1'-4"
#5 1'-8"
#6 2'-0"
Note: All bar spacings shown are at right angles to bars.

Note: See Sheet 7 of 11 for additional Culvert Details & Bar Bends.
See Sheet 8 of 11 for Bar Splicer Details.

STAGE I CULVERT CONSTRUCTION
I-57 OVER
DANFORTH TOWNSHIP DRAINAGE DITCH
F.A.I. ROUTE 57
SECTION (38-4)RS-2, (38-4)BR1
IROQUOIS COUNTY
STATION 399+21.00
S.N. 038-2020