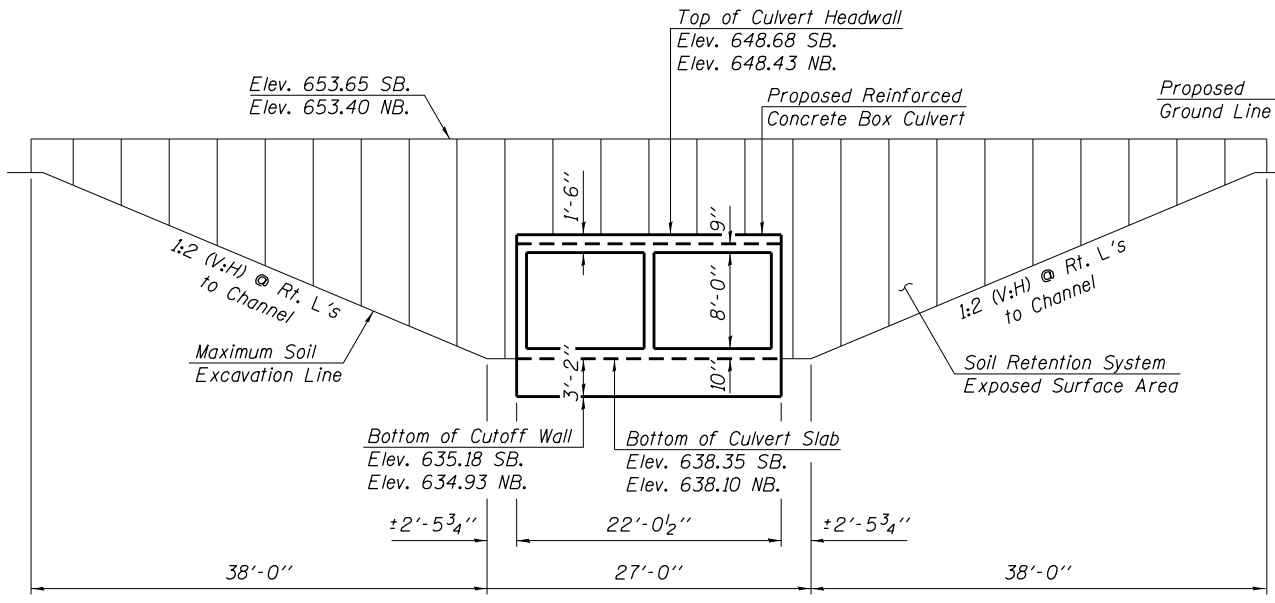


STATE OF ILLINOIS
DEPARTMENT OF TRANSPORTATION

ROUTE NO.	SECTION	COUNTY	TOTAL SHEETS	SHEET NO.
F.A.I. 57	••	IROQUOIS	190	74
FED. ROAD DIST. NO.	ILLINOIS	CONTRACT NO. 66757		

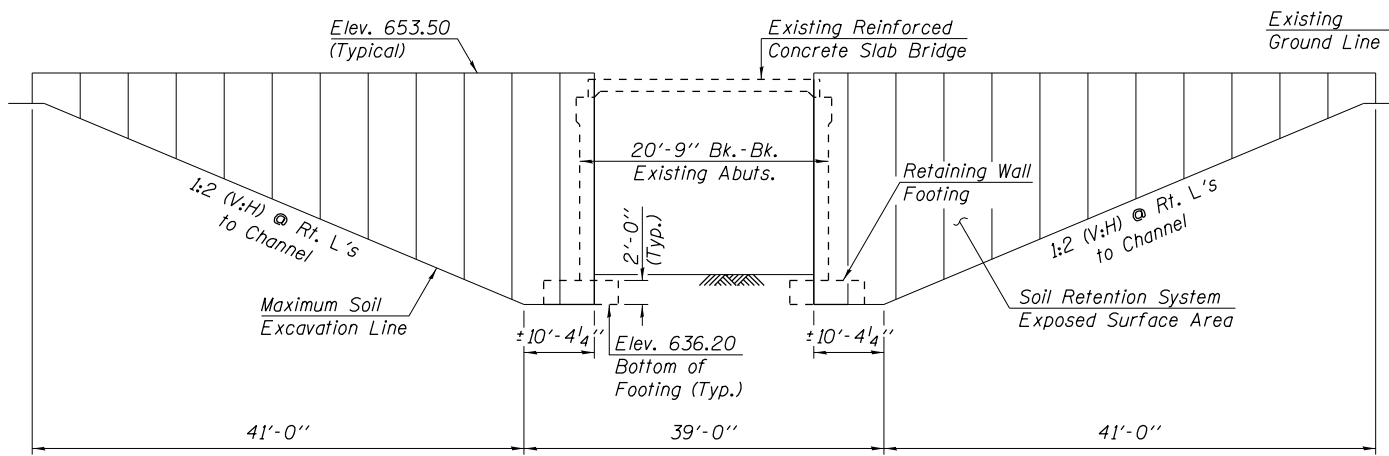
Sheet 7 of 11 Sheets



STAGE II - TEMPORARY SOIL RETENTION SYSTEM

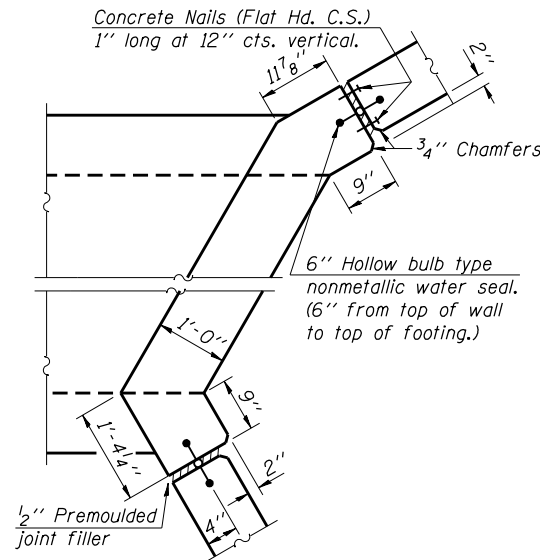
(Looking East @ Southbound Lane)
(Looking West @ Northbound Lane)

Note: All horizontal dimensions shown for limits of Temporary Soil Retention System are measured parallel to the Local Tangent at Sta. 507+51.00

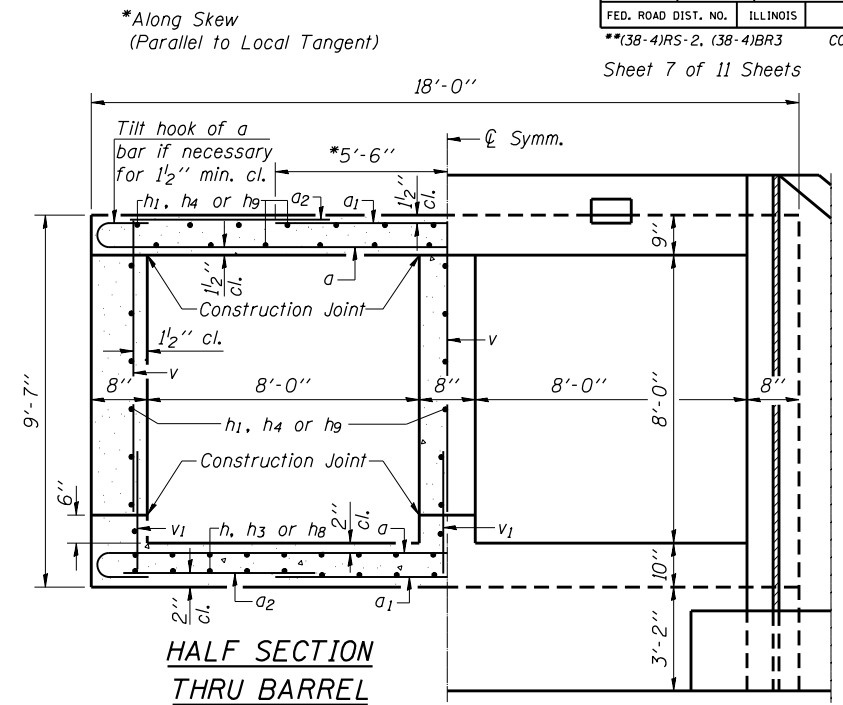


STAGE I - TEMPORARY SOIL RETENTION SYSTEM

(Looking West @ Southbound Lane)
(Looking East @ Northbound Lane)



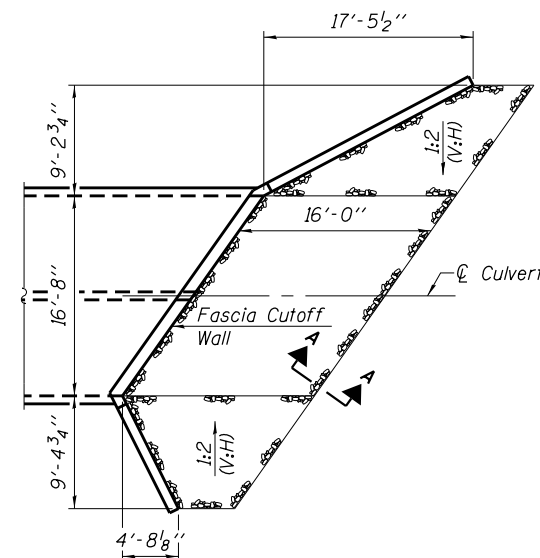
CORNER DETAIL



HALF SECTION THRU BARREL

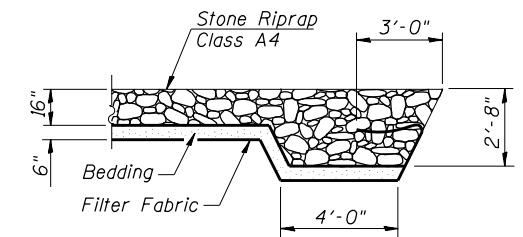
HALF END ELEVATION

CROSS SECTION THRU BARREL



STONE RIPRAP, CLASS A4 DETAIL

(Typical @ Each End of Culvert)



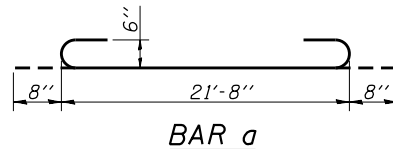
SECTION A-A

STATION 507+51
BUILT 201_ BY
STATE OF ILLINOIS
F.A.I. ROUTE 57
SEC. (38-4)RS-2, (38-4)BR3
LOADING HS20
STR. NO. 038-2019

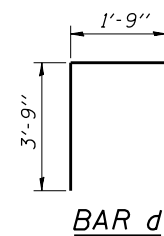
LETTERING FOR NAME PLATE

See Std. 515001

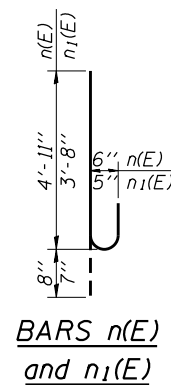
DESIGNED	S.F.M.
CHECKED	J.A.M.
DRAWN	S.A.P.
CHECKED	S.F.M. & J.A.M.



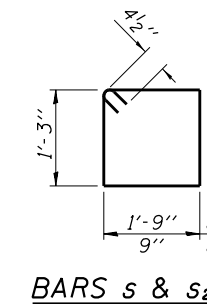
BAR a



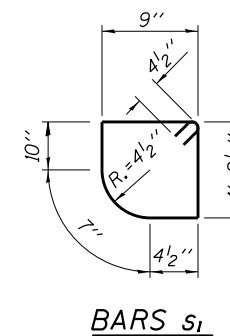
BAR d



BARS n(E) and n1(E)



BARS s & s2



BARS s1

CULVERT DETAILS
I-57 OVER
DANFORTH TOWNSHIP DRAINAGE DITCH
F.A.I. ROUTE 57
SECTION (38-4)RS-2, (38-4)BR3
IROQUOIS COUNTY
STATION 507+51.00
S.N. 038-2019