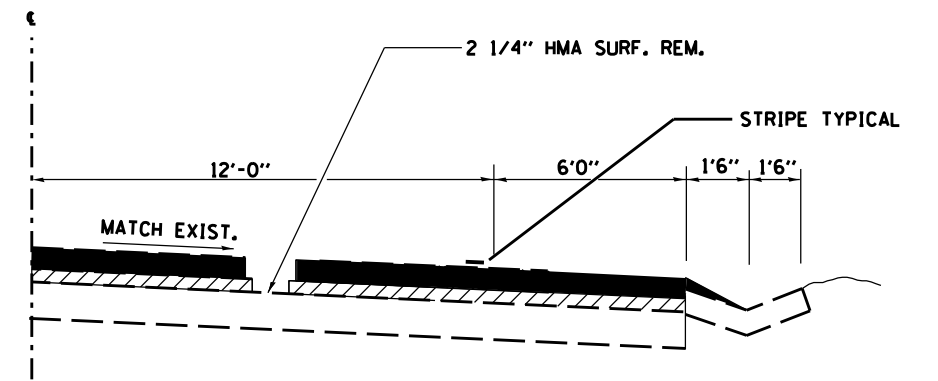
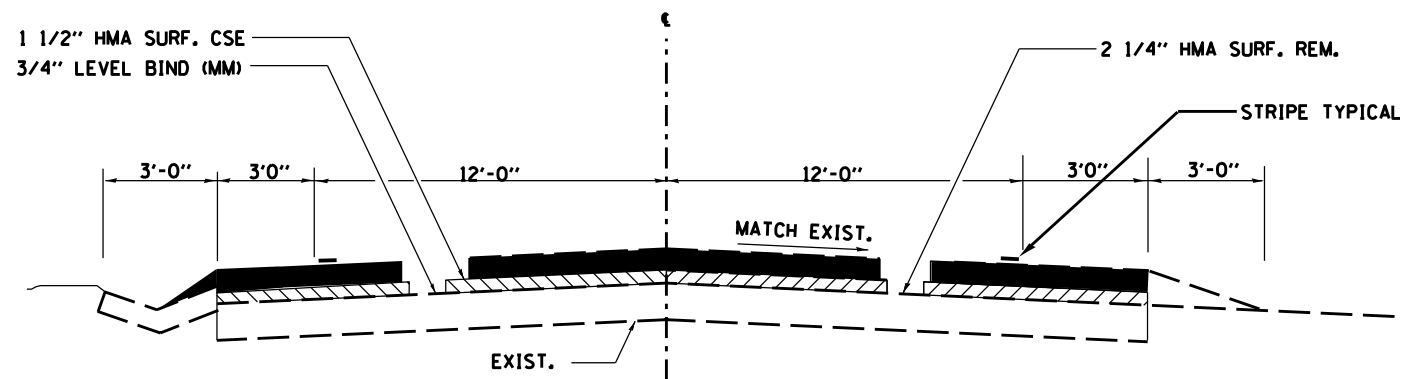


STA. 543+06A - 574+79.9A
 STA. EQ. 574+79.9A - 574+72.8A
 STA. 574+72.8A - 686+00A
 STA. 647+35B - 669+07B
 SEE HALF TYPICAL

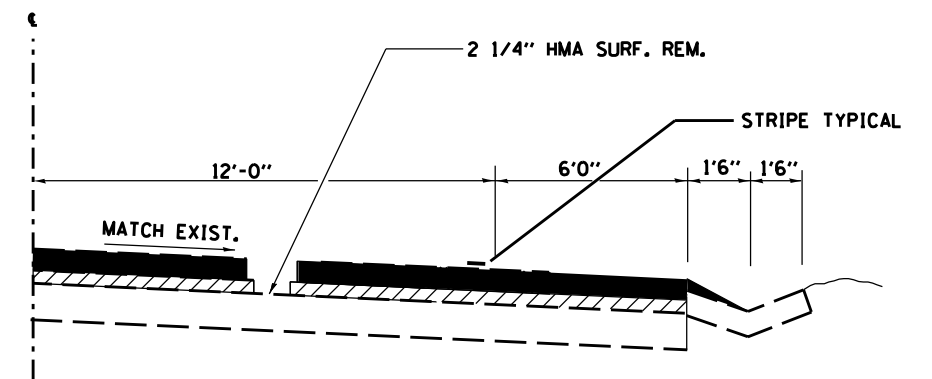


HALF TYPICAL

STA. EQ. 696+00 = 647+35
 STA. LT 647+35B - 655+00B
 STA. RT 647+35B - 650+17B



STA. 686+00A - 696+00A
 STA. EQ. 696+00 = 647+35B



HALF TYPICAL

STA. LT 690+00A - 696+00A
 STA. RT 693+70A - 696+00A

STA. EQ. 574+79.9 = 574+72.8
 STA. EQ. 696+00BK = 647+35AH

FILE NAME =	USER NAME = \$USER\$	DESIGNED -	REVISED -	STATE OF ILLINOIS DEPARTMENT OF TRANSPORTATION	TYPICAL SECTIONS		F.A.S. RTE.	SECTION	COUNTY	TOTAL SHEETS	SHEET NO.
FILEL		DRAWN -	REVISED -				1248	(11)YRS-1 & (11)YRS-3	BUREAU	16	8
MODELNAME		CHECKED -	REVISED -		CONTRACT NO. 66924						
		DATE -	REVISED -		ILLINOIS FED. AID PROJECT						
				SCALE:	SHEET	OF	SHEETS	STA.	TO	STA.	