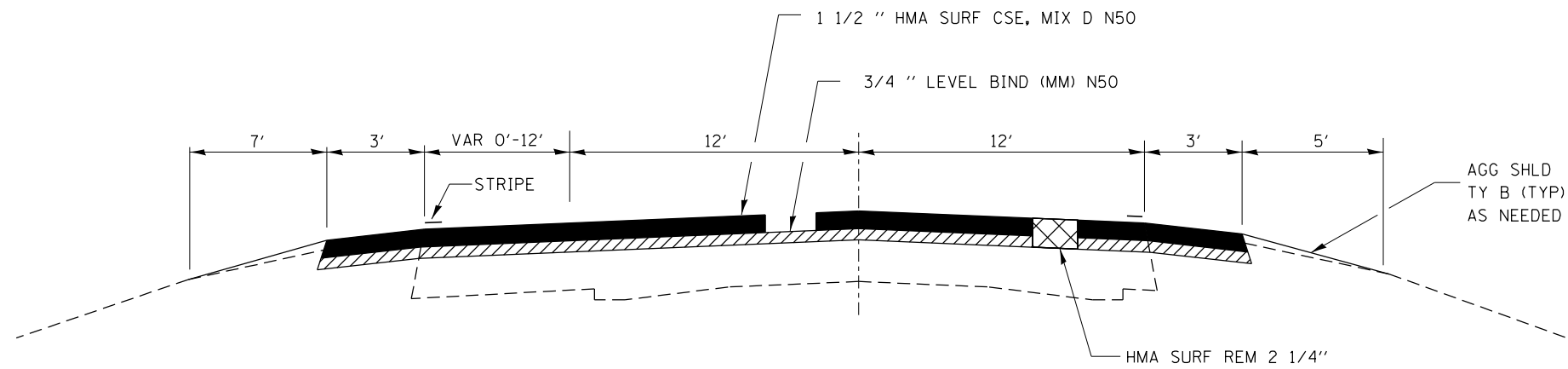


TYPICAL SECTION

STA. 957+38 TO STA. 1208+30
 STA. 1221+40 TO STA. 1296+00



TYPICAL SECTION

STA. 1208+30 TO STA. 1221+40

FILE NAME =	USER NAME = carpenterdj	DESIGNED -	REVISED -
ei:\pwork\pwork\carpenterdj\d0122637\366930-shd-details.DGN		DRAWN -	REVISED -
PLOT SCALE = 100.0000' / in.		CHECKED -	REVISED -
PLOT DATE = 6/6/2014		DATE -	REVISED -

STATE OF ILLINOIS
 DEPARTMENT OF TRANSPORTATION

TYPICAL SECTIONS

SCALE: _____ SHEET NO. ____ OF ____ SHEETS STA. _____ TO STA. _____

F.A.P. RTE.	SECTION	COUNTY	TOTAL SHEETS	SHEET NO.
41	11RS-4 & 12RS-5	KANKAKEE	14	6
CONTRACT NO. 66930			ILLINOIS FED. AID PROJECT	