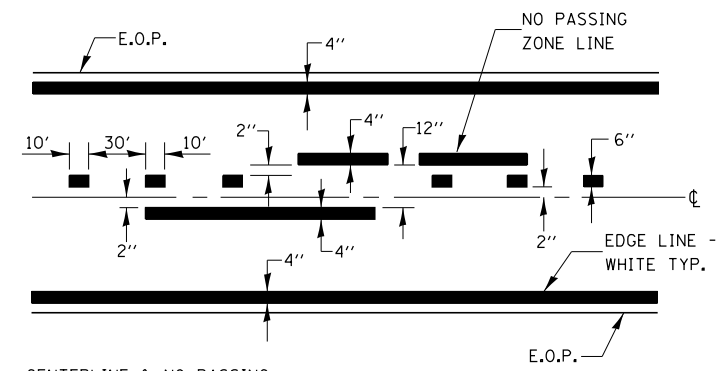
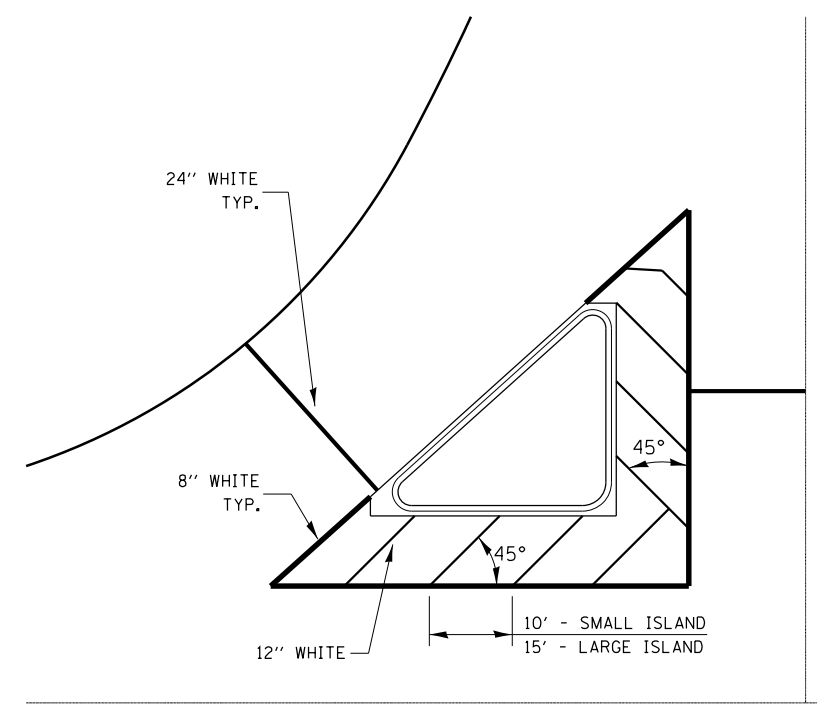


**TYPICAL APPLICATION  
LEFT TURN LANES**

**ADVANCE AND INTERSECTION LANE  
DIVIDER LINES**



**PAVEMENT MARKING**



**TYPICAL ISLAND**

FILE NAME =	USER NAME = fergusonse	DESIGNED -	REVISED -
ei:\pw\work\p1dot\fergusonse\d0248493\066603-sht-cover.dgn		DRAWN -	REVISED -
	PLOT SCALE = 100.0000' / in.	CHECKED -	REVISED -
	PLOT DATE = 6/6/2014	DATE -	REVISED -

**STATE OF ILLINOIS  
DEPARTMENT OF TRANSPORTATION**

**DETAILS**

SCALE:	SHEET	OF	SHEETS	STA.	TO	STA.
--------	-------	----	--------	------	----	------

F.A.P. RTE.	SECTION	COUNTY	TOTAL SHEETS	SHEET NO.
840	(140)RS-9	KANKAKEE	11	10
			66B03	
ILLINOIS FED. AID PROJECT				