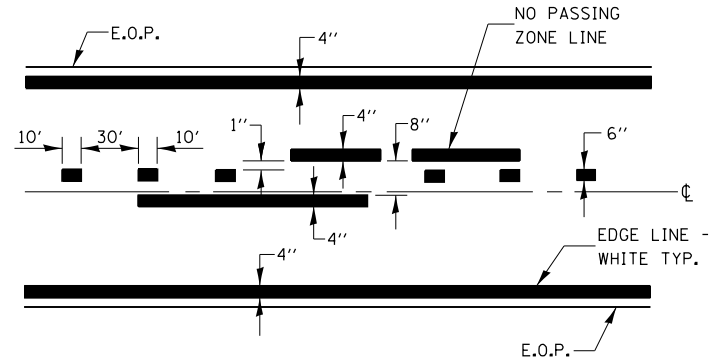


SECTION A-A

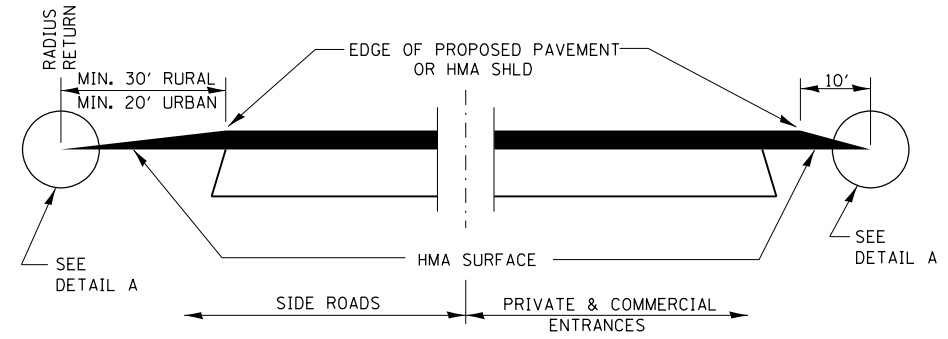
RURAL MAILBOX TURNOUT DETAILS

THE COST OF REMOVAL AT EXISTING HMA OR PCC LOCATIONS SHALL BE PAID FOR PER SQ YD BY THE APPROPRIATE PAY ITEM. REMOVAL AT THE EXISTING AGG LOCATIONS SHALL BE INCIDENTAL TO THE HMA.

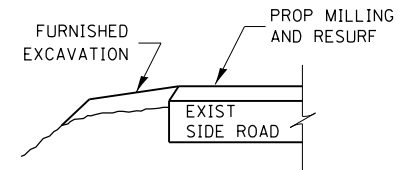


PAVEMENT MARKING

(SEE TYPICAL SECTIONS)

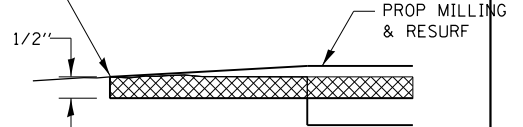


**SECTION A-A
DETAILS AT ENTRANCES & SIDE ROADS**

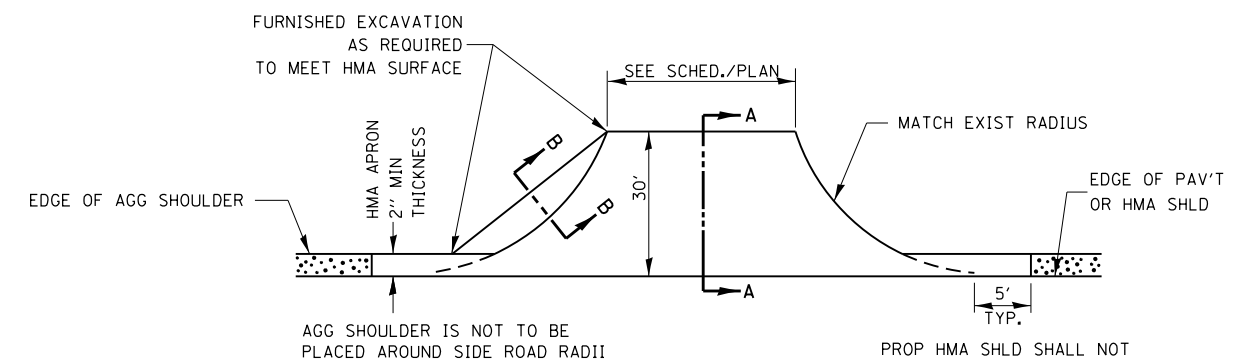


SECTION B-B

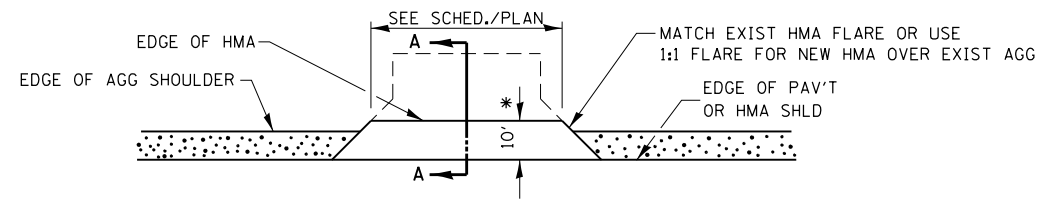
THE COST OF REMOVAL AT EXISTING HMA OR PCC LOCATIONS SHALL BE PAID FOR PER SQ YD BY THE APPROPRIATE PAY ITEM. REMOVAL AT THE EXISTING AGG LOCATIONS SHALL BE INCIDENTAL TO THE HMA. A-3 LOCATIONS SHALL BE FEATHER TAPERED.



DETAIL A



PLAN AT SIDE ROADS



PLAN AT PRIVATE & COMMERCIAL ENTRANCES

(DO NOT RESURFACE FIELD ENTRANCES)

* PROPOSED HMA RESURFACING AT PUBLIC EDUCATIONAL FACILITY ENTRANCES SHALL BE EXTENDED TO THE RIGHT-OF-WAY LIMITS.

| | | | |
|--|-----------------------------|------------|-----------|
| FILE NAME = | USER NAME = duncanbd | DESIGNED - | REVISED - |
| et:\pw\work\p1dot\duncanbd\0253031\0366818-sht-details.DGN | | DRAWN - | REVISED - |
| | PLOT SCALE = 100.0000' / 1" | CHECKED - | REVISED - |
| | PLOT DATE = 6/6/2014 | DATE - | REVISED - |

**STATE OF ILLINOIS
DEPARTMENT OF TRANSPORTATION**

| | | | | |
|----------------|-----------|-----------|------|---------|
| DETAILS | | | | |
| SCALE: | SHEET NO. | OF SHEETS | STA. | TO STA. |

| | | | | |
|---------------------------|-----------|--------|--------------|-----------|
| F.A.P. RTE. | SECTION | COUNTY | TOTAL SHEETS | SHEET NO. |
| 573 | (117)RS-6 | DEKALB | 11 | 10 |
| CONTRACT NO. 66B18 | | | | |
| ILLINOIS FED. AID PROJECT | | | | |