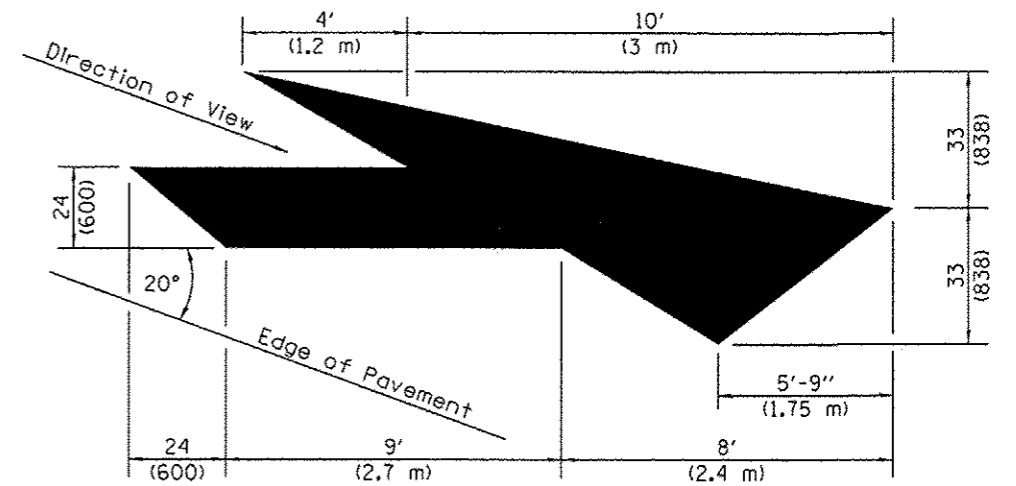
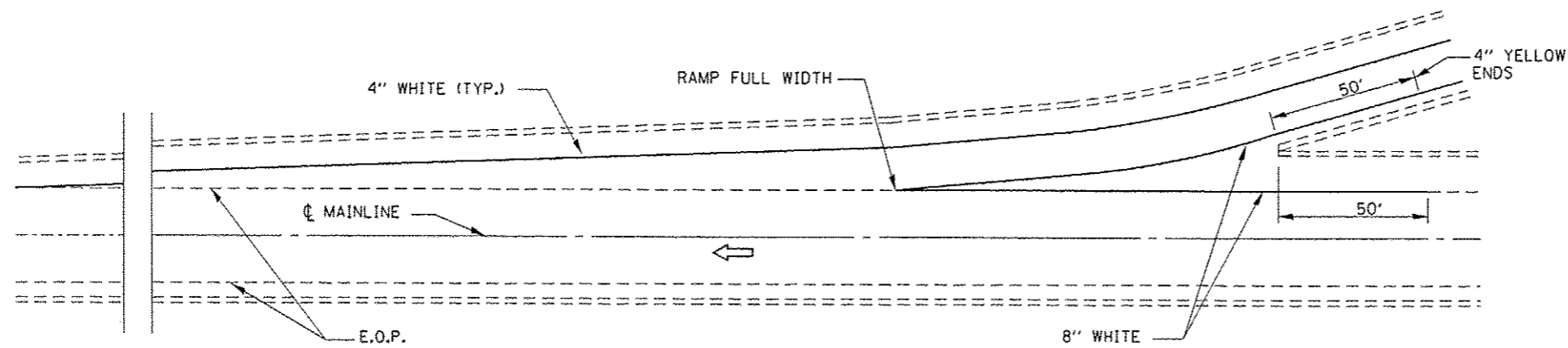


TYPICAL PAVEMENT MARKINGS

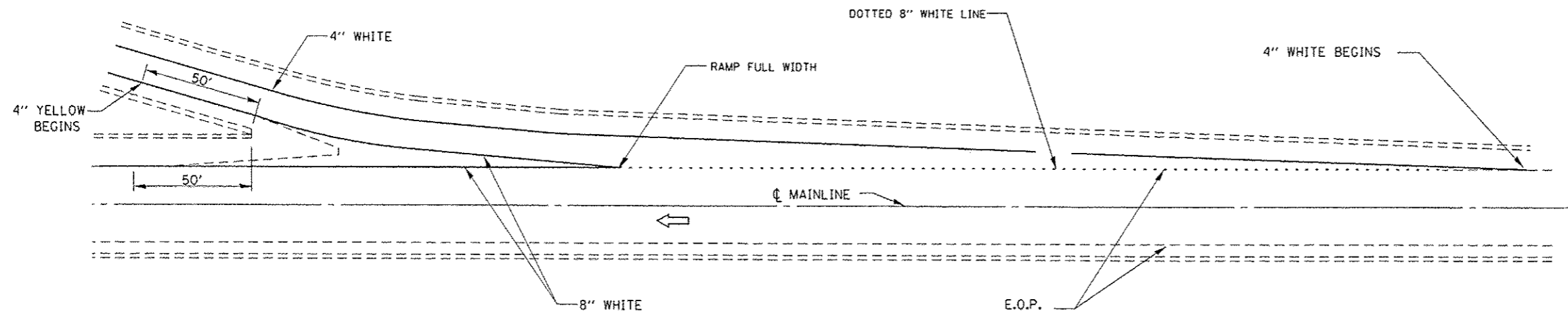


LANE DROP ARROW

Right lane drop arrow shown.
Use mirror image for left lane.



TYPICAL PAVEMENT MARKING FOR ENTRANCE RAMP TERMINALS



TYPICAL PAVEMENT MARKINGS FOR EXIT RAMP TERMINALS

FILE NAME :	USER NAME : Patelij	DESIGNED - RW	REVISED -	STATE OF ILLINOIS DEPARTMENT OF TRANSPORTATION	TYPICAL PAVEMENT MARKINGS	F.A.I. RTE.	SECTION	COUNTY	TOTAL SHEETS	SHEET NO.	
o:\pr_vork\pvidot\patelij\d325865\076601-sh1-detail1.dgn	PLOT SCALE = 100.0000' / in.	DRAWN - RW	REVISED -			57	(38-6B)-2 & (38-6B)-1-2	ILLINOIS	27	8	
#MODELNAME*	PLOT DATE = 5/6/2014	CHECKED -	REVISED -			CONTRACT NO. 66C81					
		DATE -	REVISED -			ILLINOIS FED. AID PROJECT					