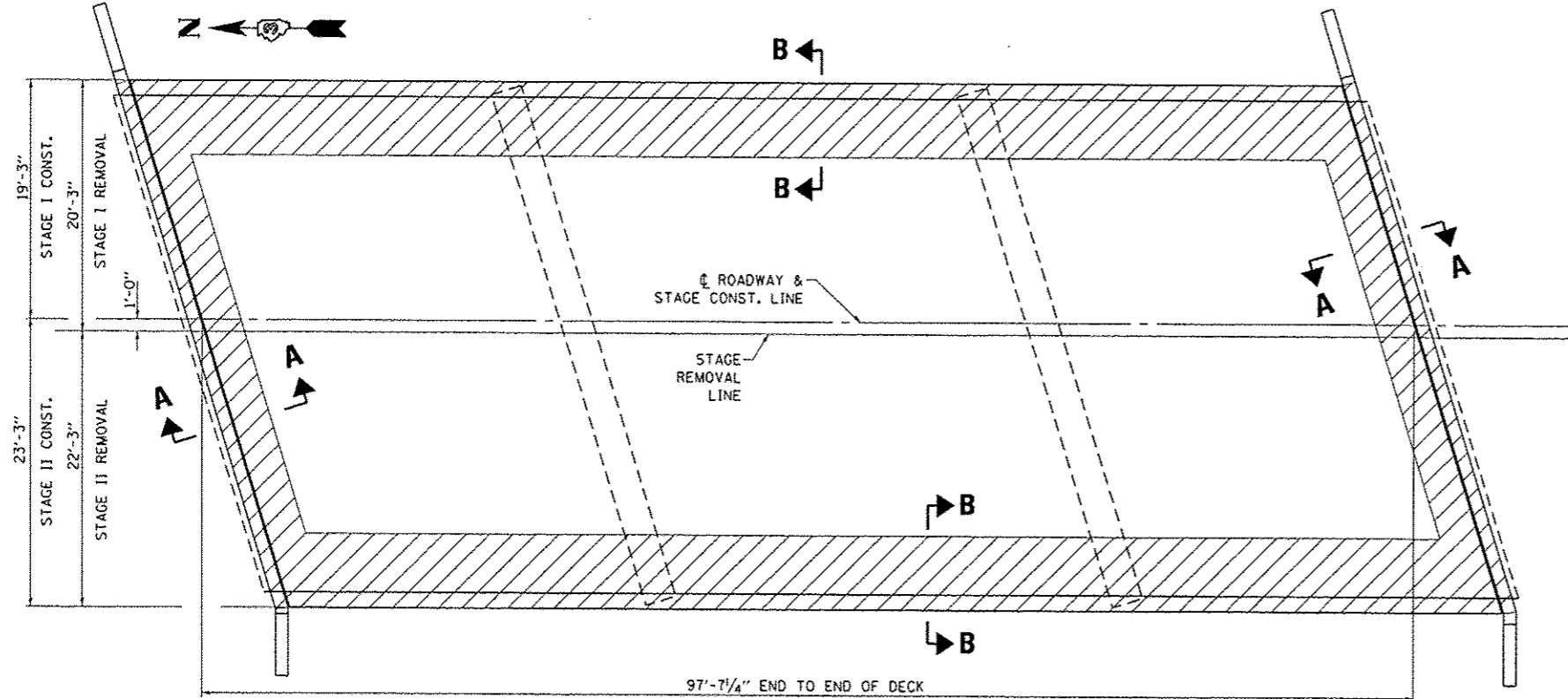
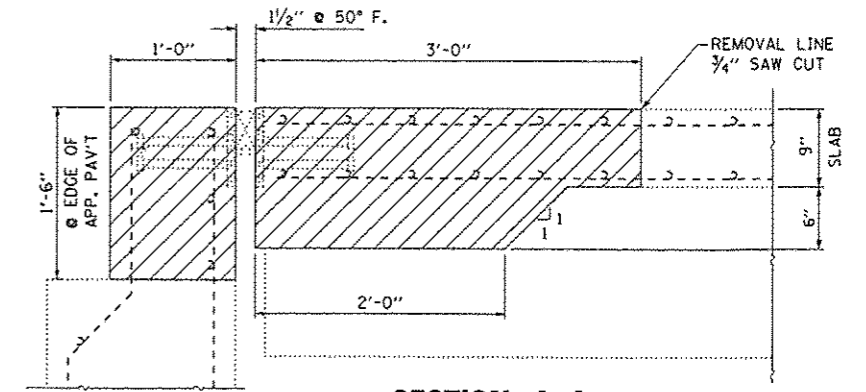


GIRDER ORDINATES (ALL GIRDERS)



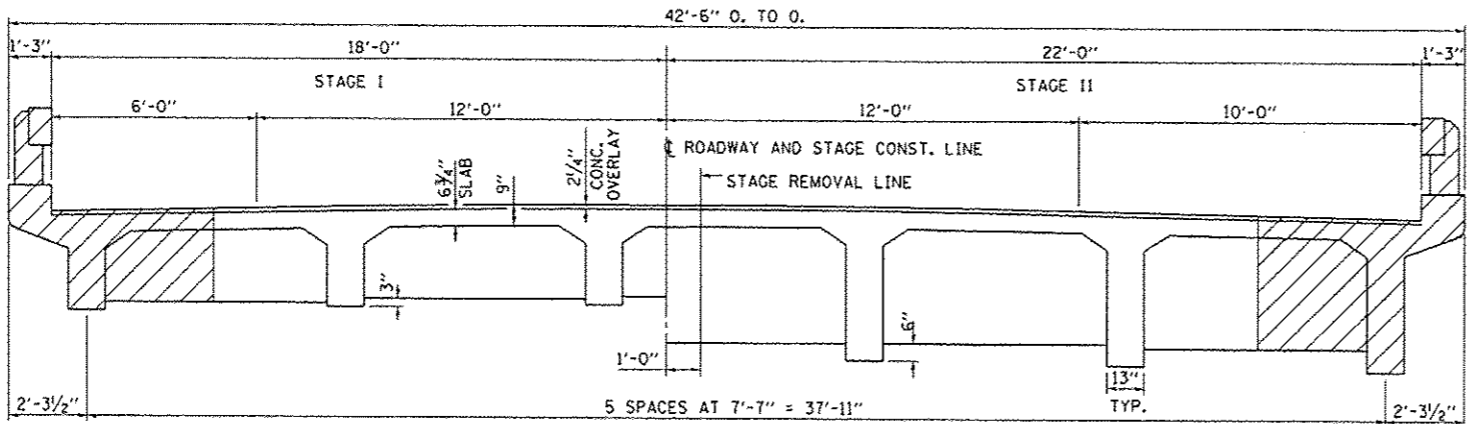
PLAN

SOUTHBOUND PLAN SHOWN
NORTHBOUND SIMILAR THRU 180 DEG. ROTATION ABOUT CENTERLINE OF FAI 57



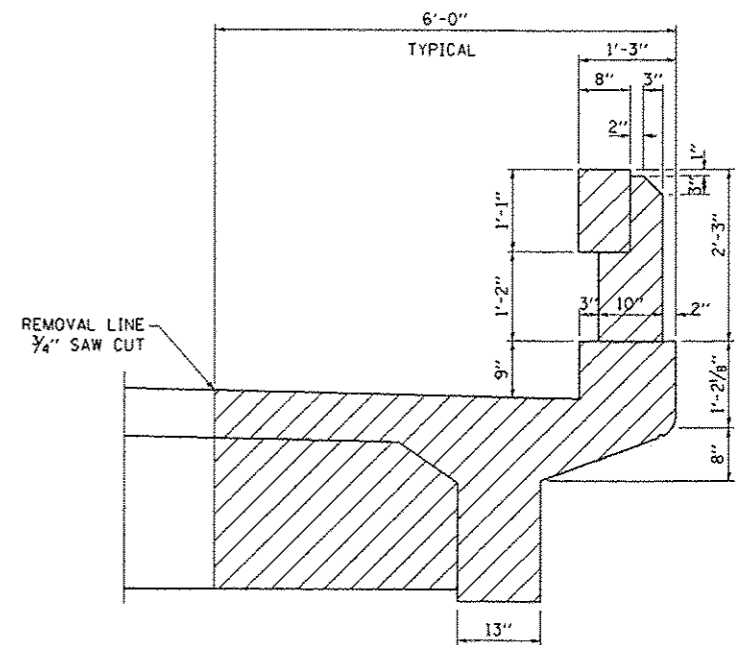
SECTION A-A

DIMENSIONS AT RT. L's



CROSS SECTION

LOOKING SOUTH - S.B. ROADWAY
LOOKING NORTH - N.B. ROADWAY



SECTION B-B

FILE NAME =	USER NAME = Pateluj	DESIGNED - RW	REVISED -	STATE OF ILLINOIS DEPARTMENT OF TRANSPORTATION	CONCRETE REMOVAL DETAILS FOR STRUCTURE NO's 038-0153 AND 038-0154	F.A.I. RTE.	SECTION	COUNTY	TOTAL SHEETS	SHEET NO.	
01\pawork\pawork\pateluj\d0325865\0366601\shd-detailed.dgn		DRAWN - RW	REVISED -			57	(38-6B)-2 & (38-6B)-1-2	IROQUOIS	27	21	
MODEL NAME =	PLOT SCALE = 1/80.0000 1" = 10'	CHECKED -	REVISED -			CONTRACT NO. 66C81		ILLINOIS FED. AID PROJECT			
	PLOT DATE = 5/6/2014	DATE -	REVISED -			SCALE:	SHEET 2 OF 8 SHEETS	STA. 963+62.50			