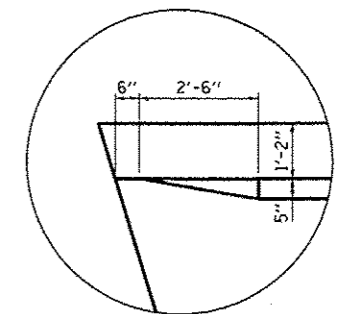


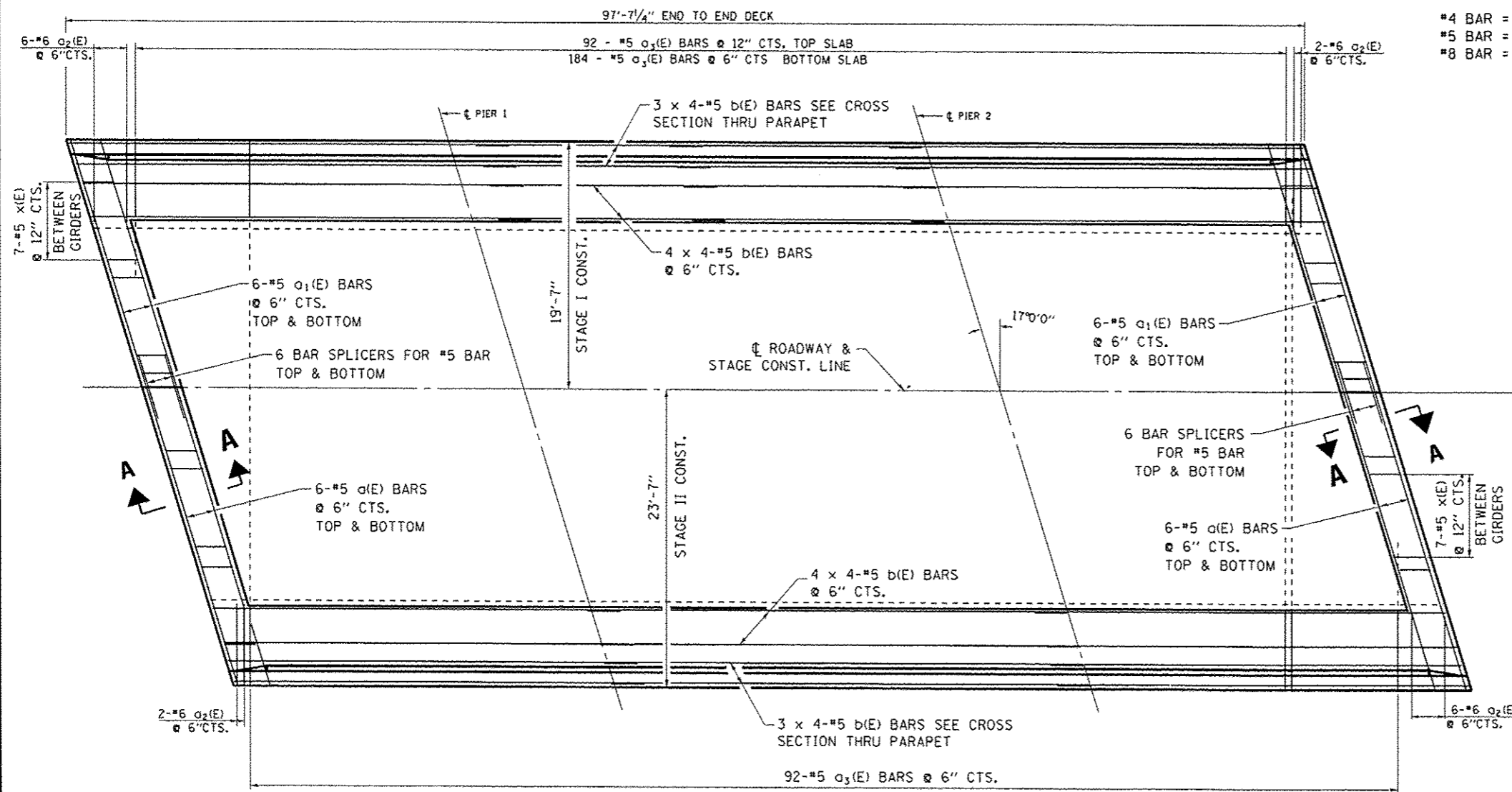
ELEVATION OF PARAPET

MINIMUM BAR LAP

- #4 BAR = 2'-0"
- #5 BAR = 2'-6"
- #8 BAR = 5'-2"



CORNER DETAIL (TYPICAL)



**PLAN
SHOWING DECK REINFORCEMENT**

SOUTHBOUND PLAN SHOWN
NORTHBOUND SIMILAR THRU 180 DEG. ROTATION ABOUT CENTERLINE OF FAI 57

**TWO SUPERSTRUCTURES
BILL OF MATERIAL**

BAR	NO.	SIZE	LENGTH	SHAPE	
d1(E)	48	5	24'-4"	=====	
d1(E)	48	5	20'-2"	=====	
d2(E)	32	6	4'-0"	=====	
d3(E)	1104	5	5'-8"	=====	
b1(E)	112	5	26'-2"	=====	
d1(E)	376	5	5'-7"	=====	
d1(E)	376	5	7'-6"	=====	
e1(E)	56	4	14'-9"	=====	
e1(E)	56	4	14'-8"	=====	
e2(E)	56	4	18'-5"	=====	
e3(E)	8	8	29'-9"	=====	
e4(E)	8	8	19'-7"	=====	
e5(E)	8	4	29'-9"	=====	
e6(E)	8	4	19'-7"	=====	
h1(E)	24	5	24'-4"	=====	
h1(E)	24	5	19'-11"	=====	
u1(E)	172	4	2'-11"	=====	
x1(E)	140	5	4'-5"	=====	
CONCRETE REMOVAL				CU. YD.	161.4
CONCRETE SUPERSTRUCTURE				CU. YD.	184.8
REINFORCEMENT BARS				POUND	40560
EPOXY COATED					
BAR SPLICERS				EACH	72
MECHANICAL SPLICERS				EACH	732
PREFORMED JOINT STRIP SEAL				FOOT	176
FLOOR DRAINS				EACH	36
PROTECTIVE COAT				SG. YD.	377