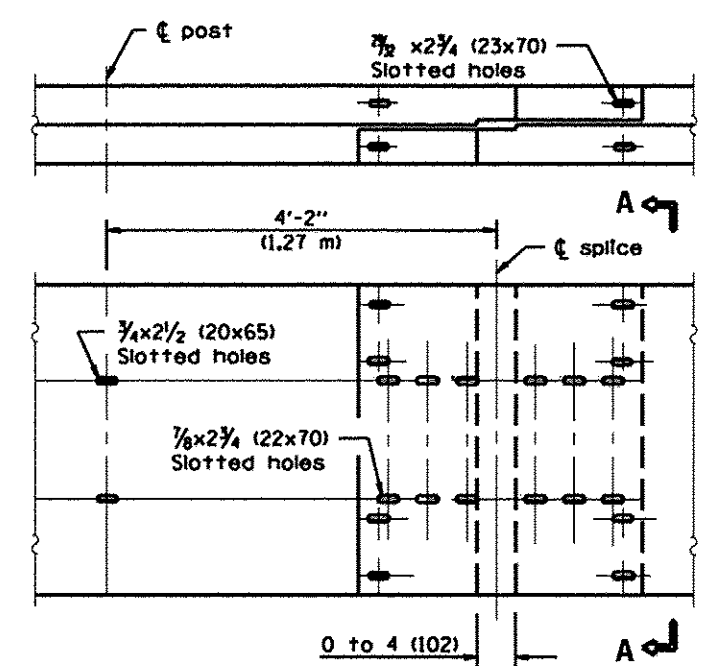
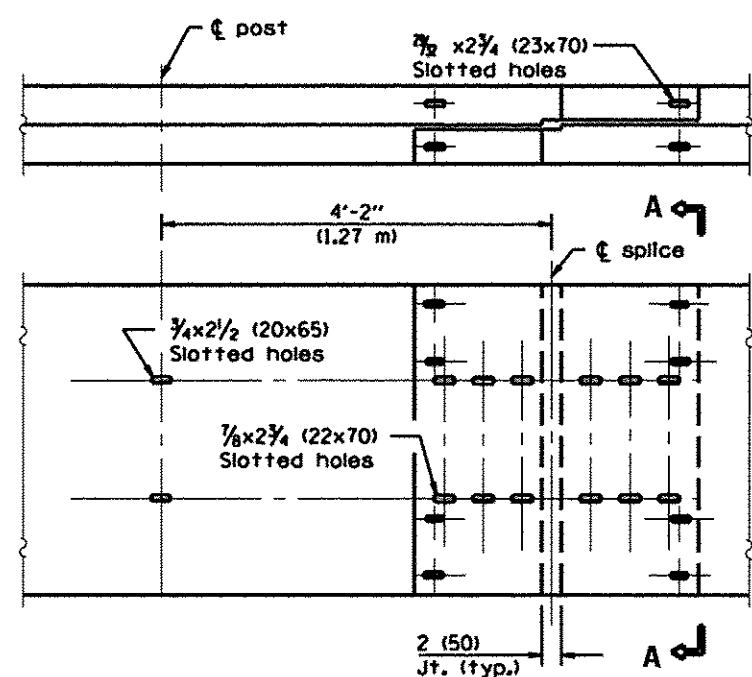


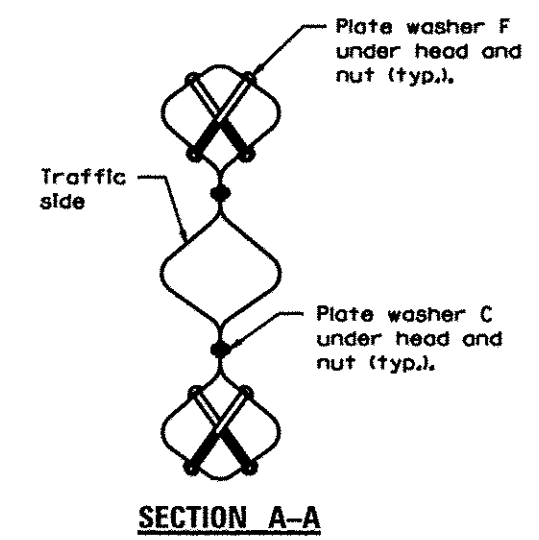
TUBULAR THRIE BEAM FOR LAP SPLICE JOINT



LAP EXPANSION SPLICE JOINT



LAP SPLICE JOINT



SECTION A-A

FILE NAME *	USER NAME * USER*	DESIGNED -	REVISED -	STATE OF ILLINOIS DEPARTMENT OF TRANSPORTATION	TUBULAR THRIE BEAM RETROFIT RAIL FOR BRIDGES		F.A. RTE.	SECTION	COUNTY	TOTAL SHEETS	SHEET NO.
#FILE#		DRAWN -	REVISED -		SCALE: _____	SHEET 2 OF 3 SHEETS	STA. _____ TO STA. _____	YAB.	YAB.	43	11
#MODELNAME*		CHECKED -	REVISED -								
		DATE -	REVISED -								

ILLINOIS FED. AID PROJECT