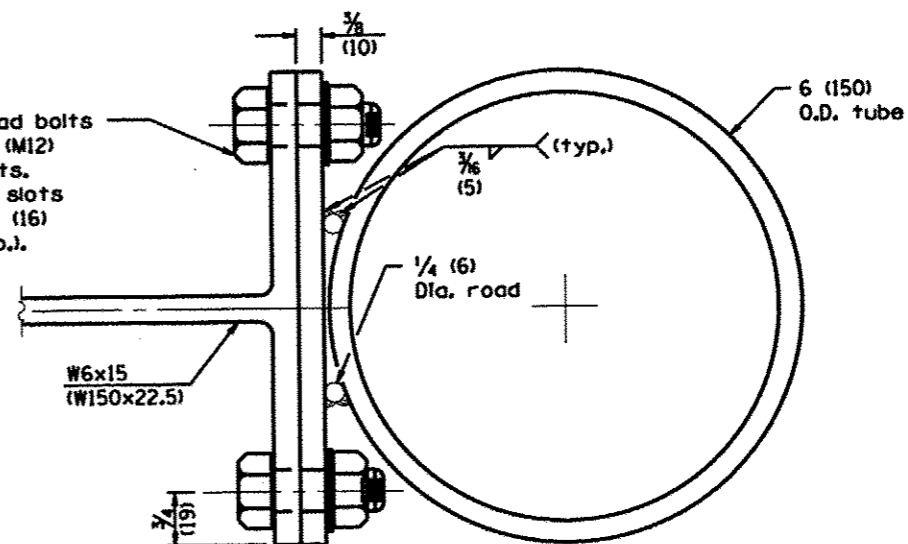
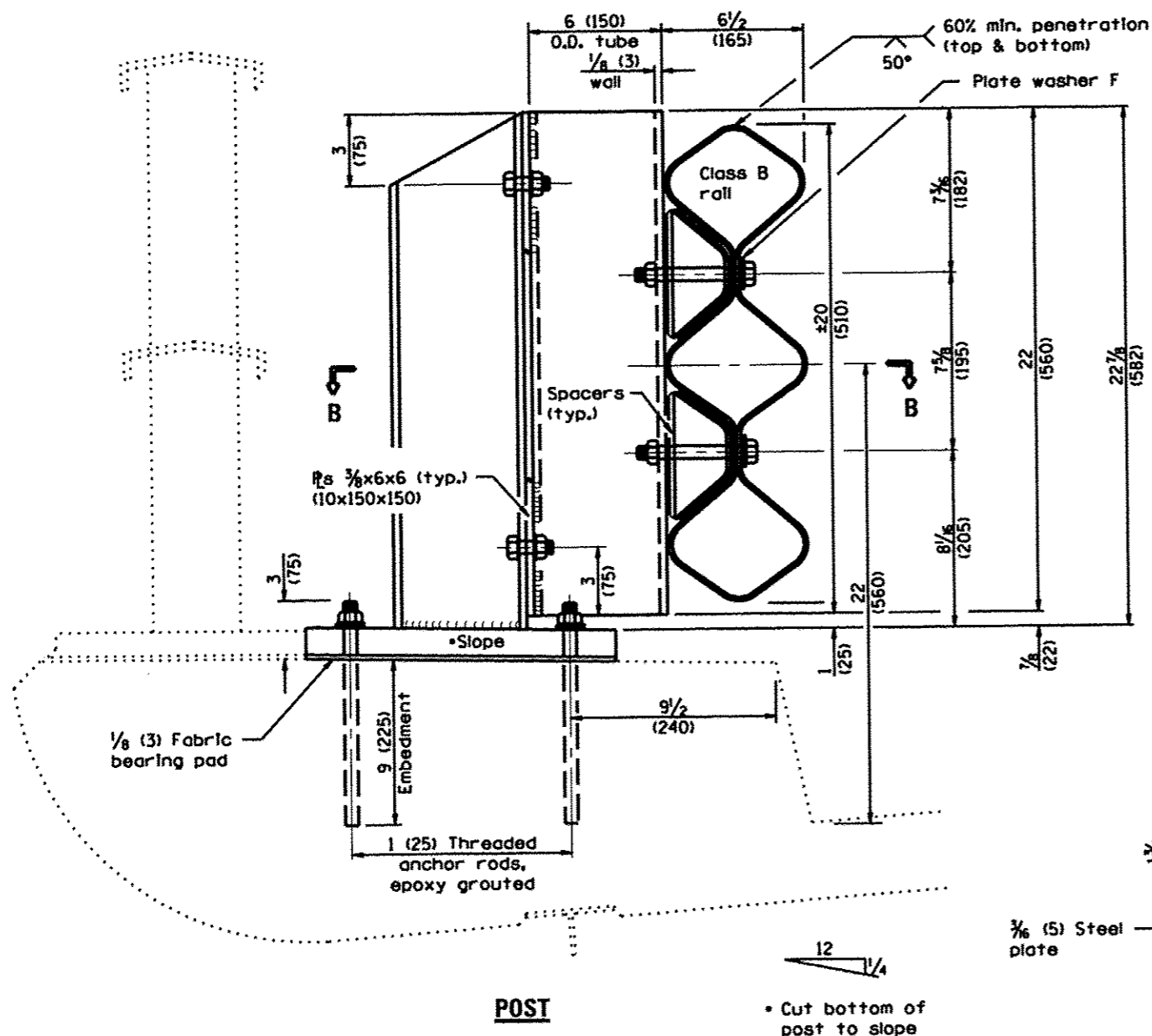


SECTION B-B

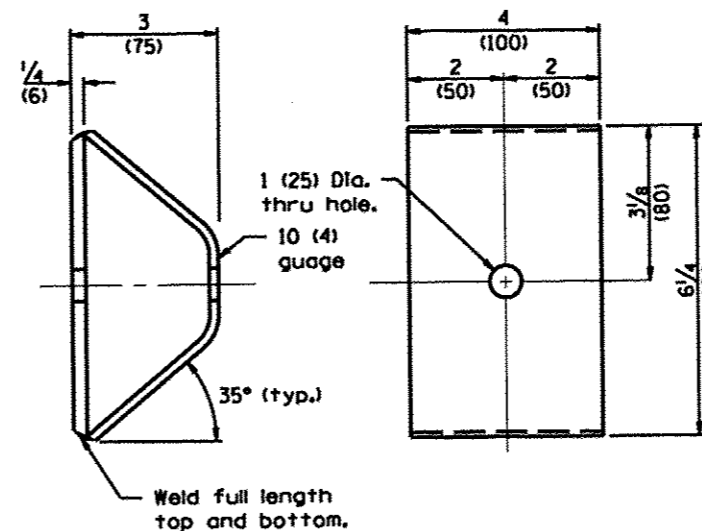
1/2x1/4 (M12x32) hex head bolts with hex nuts and 1/2 (M12) flat washer under nuts.
 5/8x1/2 (16x38) vertical slots in 3/8 (10) plate and 5/8 (16) dia. holes in post (typ.).



TUBE TO POST ATTACHMENT



POST



SPACER

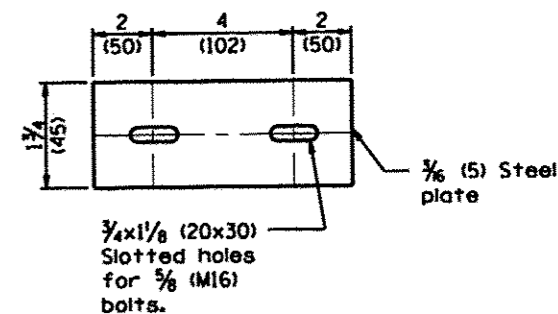


PLATE WASHER B

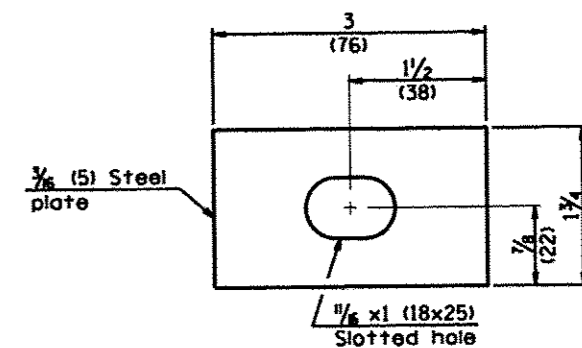


PLATE WASHER F

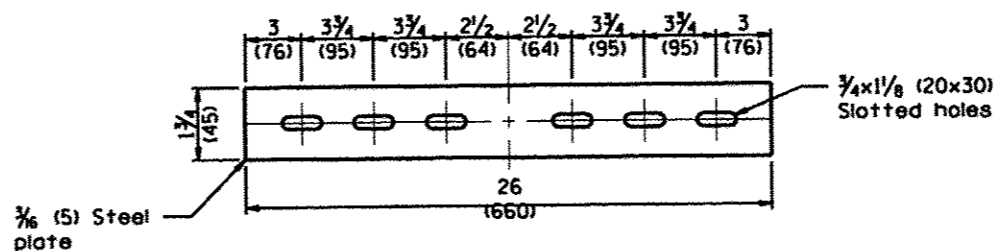


PLATE WASHER C