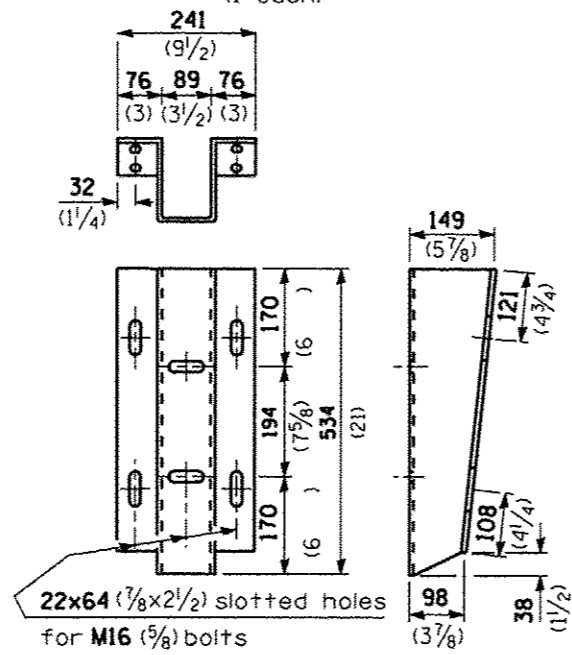
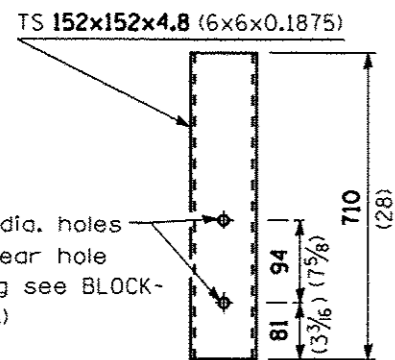
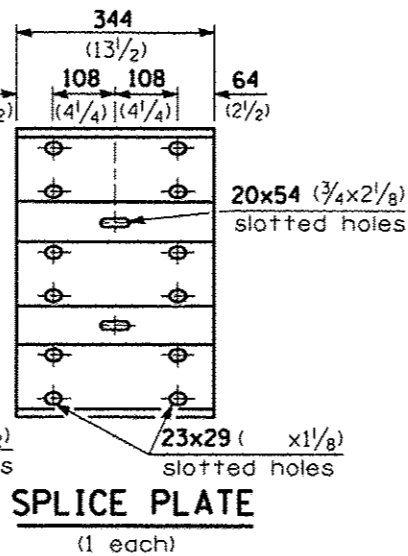
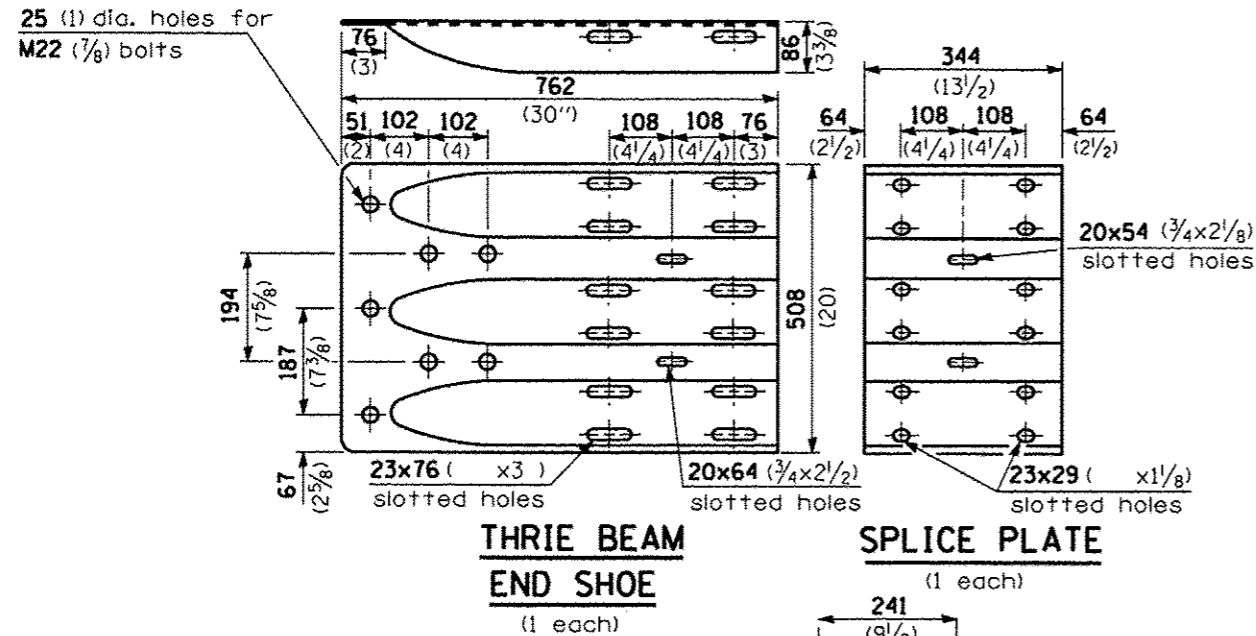
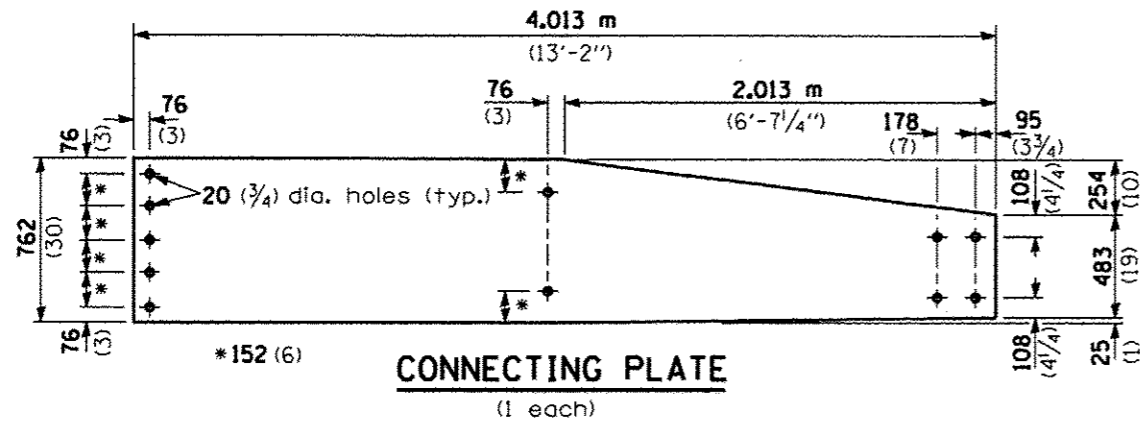
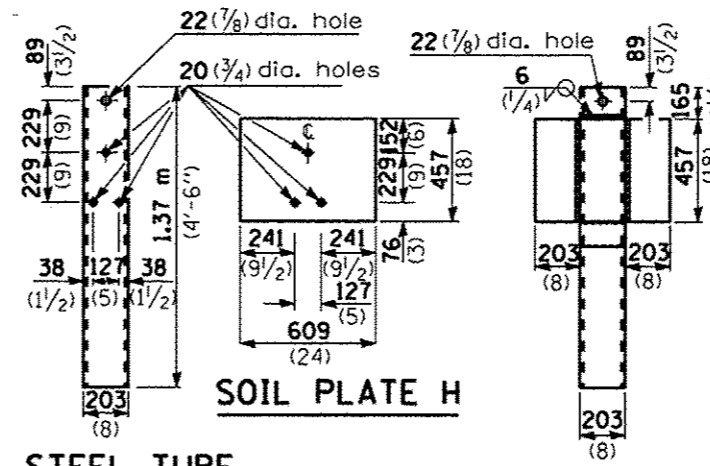
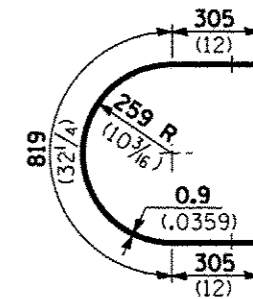
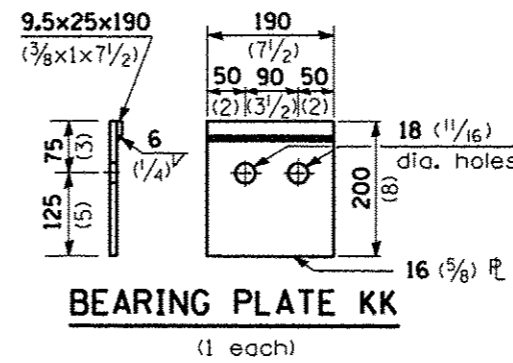


**TYPE 3A ONLY**



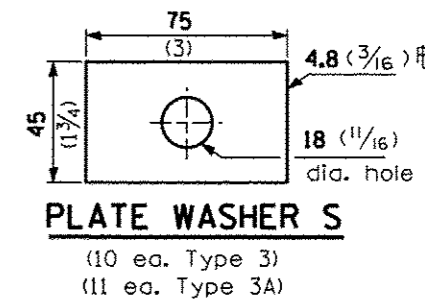
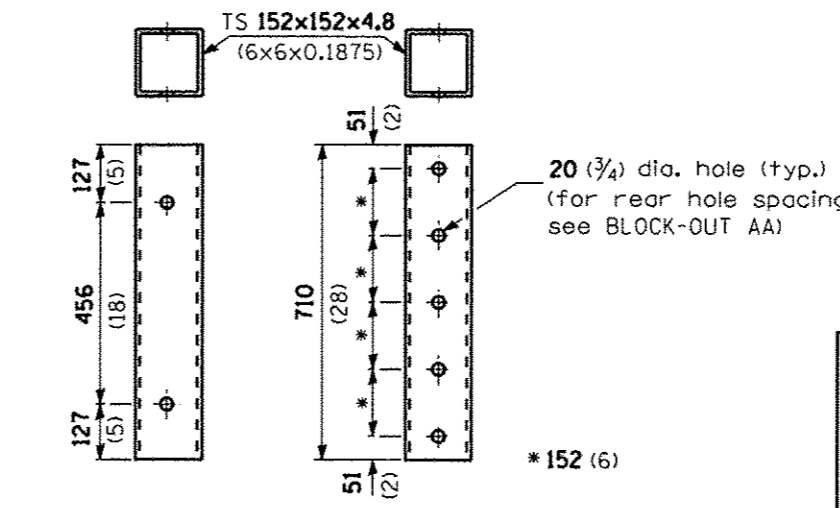
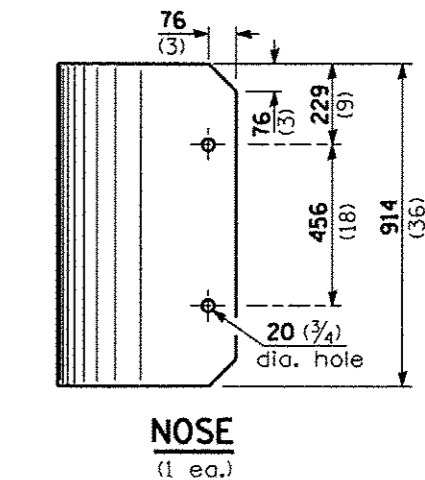
(6.4 (1/4) steel plate or section of rectangular tubing with flanges welded on)

**TYPE 3 & 3A**



TS 203x203x4.8 (8x8x0.1875) (end terminal post) (1 ea.)  
TS 203x152x4.8 (8x6x0.1875) (terminal post) (4 ea. Type 3) (5 ea. Type 3A)

**ALTERNATE SOIL PLATE CONNECTION**



**DETAIL INCLUDED FOR REPAIR ONLY**

All dimensions are in millimeters (inches) unless otherwise shown.

FILE NAME *	USER NAME * #USER#	DESIGNED -	REVISED -	STATE OF ILLINOIS DEPARTMENT OF TRANSPORTATION	TRAFFIC BARRIER TERMINAL TYPE 3 & 3A	F.A. RTE.	SECTION	COUNTY	TOTAL SHEETS	SHEET NO.	
*FILE#		DRAWN -	REVISED -			YAR.		YAR.	45	17	
		CHECKED -	REVISED -			SCALE: _____ SHEET NO. _____ OF _____ SHEETS STA. _____ TO STA. _____		CONTRACT NO. 66D15			
		DATE	REVISED -			FED. ROAD DIST. NO. _____ ILLINOIS FED. AID PROJECT					

• D-3 HIGHWAY DAMAGE REPAIR 2015