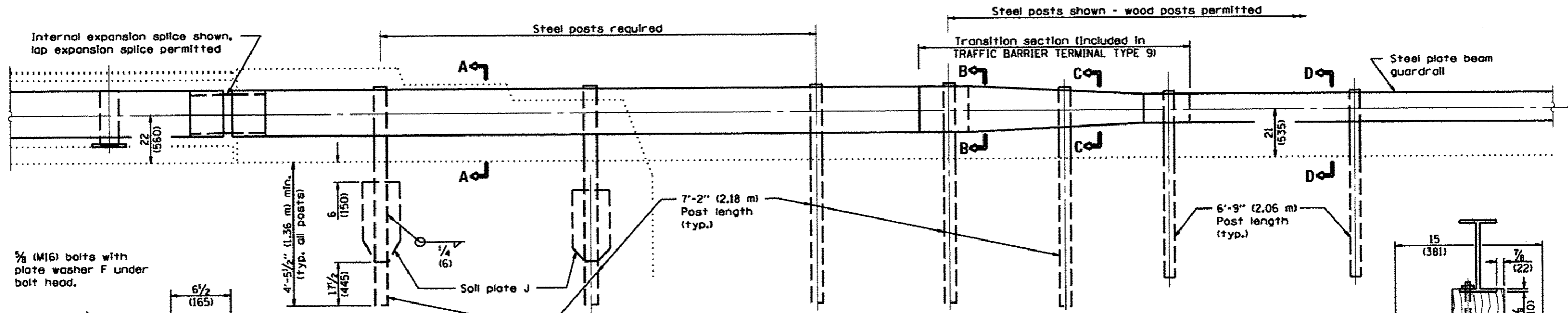
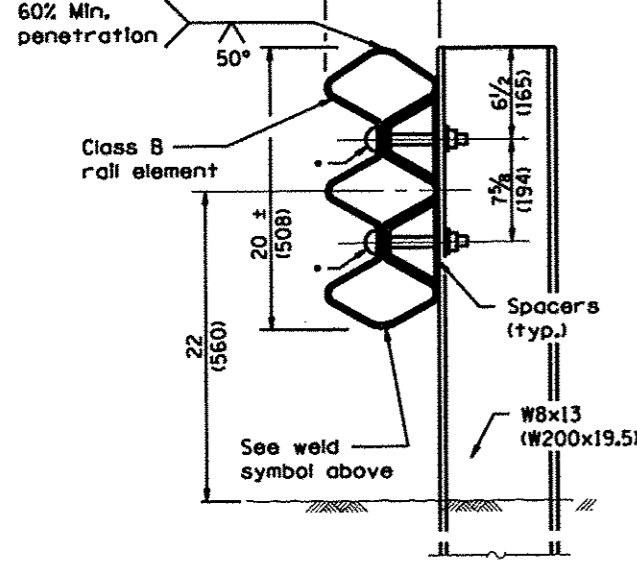


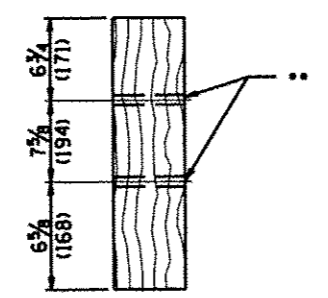
PLAN
(Bridge with expansion joint shown)



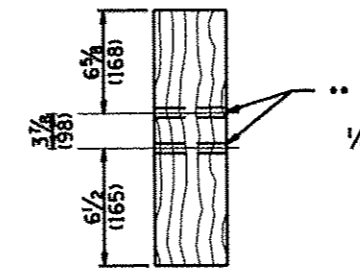
ELEVATION



SECTION A-A



SECTION B-B

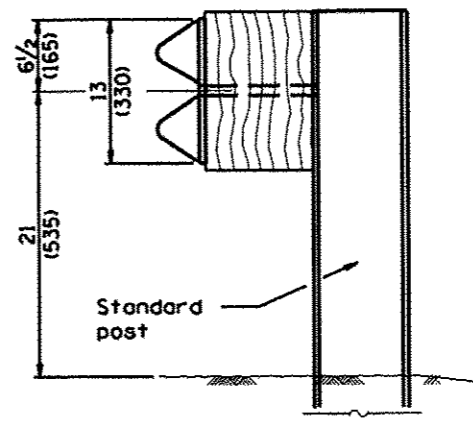


SECTION C-C

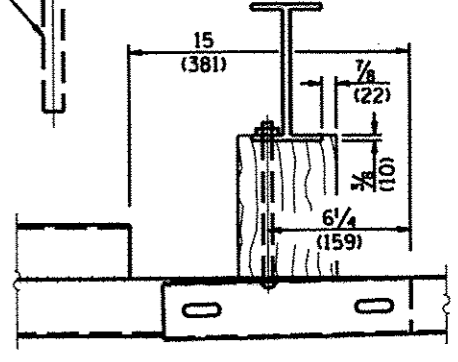
DETAILS of BLOCK-OUTS
•• ϕ 3/4 (19) Dia. hole

4-3/4 (19) Dia. holes with
5/8 (M16) hex head bolts
with std. hex nut (typ.)

SOIL PLATE J & ALTERNATE CONNECTION DETAILS



SECTION D-D



DETAIL A

GENERAL NOTES

See Standards 509001 and 630001 for details of guardrail elements not shown.
The Type 9 terminal shall be installed after the posts for the bridge retrofit roll have been located as shown on Standard 509001.
All dimensions are in inches (millimeters) unless otherwise shown.

FILE NAME *	USER NAME * #USER*	DESIGNED -	REVISED -	STATE OF ILLINOIS DEPARTMENT OF TRANSPORTATION	TRAFFIC BARRIER TERMINAL TYPE 9		F.A. RTE.	SECTION	COUNTY	TOTAL SHEETS	SHEET NO.		
#FILE#		DRAWN -	REVISED -		SCALE:	SHEET	OF	SHEETS	STA.	TO STA.	VAR.	43	21
MODELNAME#		CHECKED -	REVISED -										
		DATE -	REVISED -										
										CONTRACT NO. 66015			
										ILLINOIS FED. AID PROJECT			