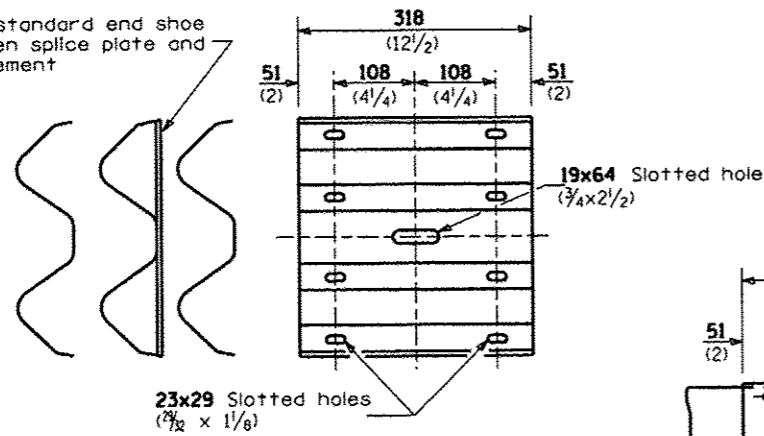
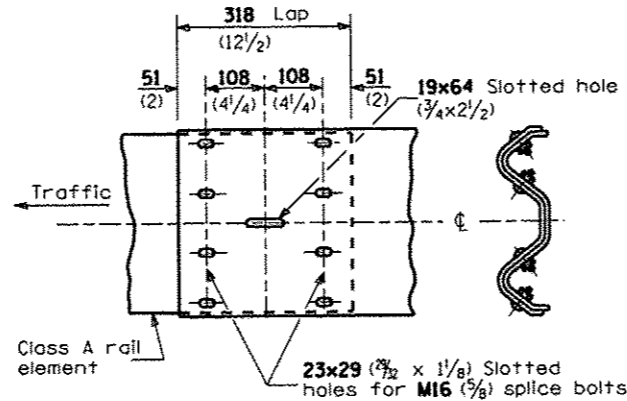


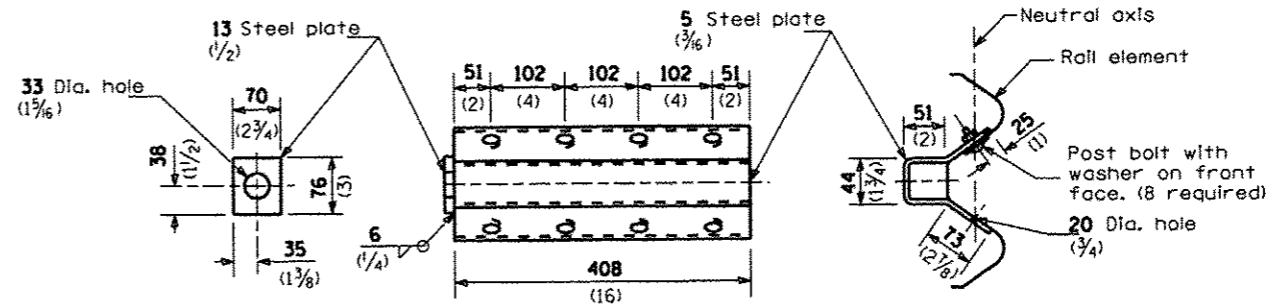
Place standard end shoe between splice plate and rail element



**SPLICE PLATE**



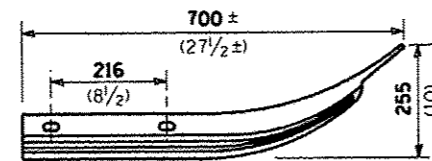
**RAIL ELEMENT SPLICE**



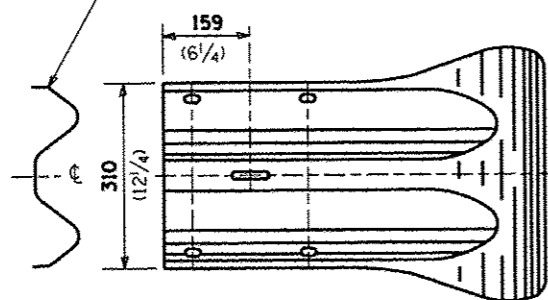
NOTE

Anchor plate T shall be used to attach cable assembly to guardrail when required on traffic barrier terminals.

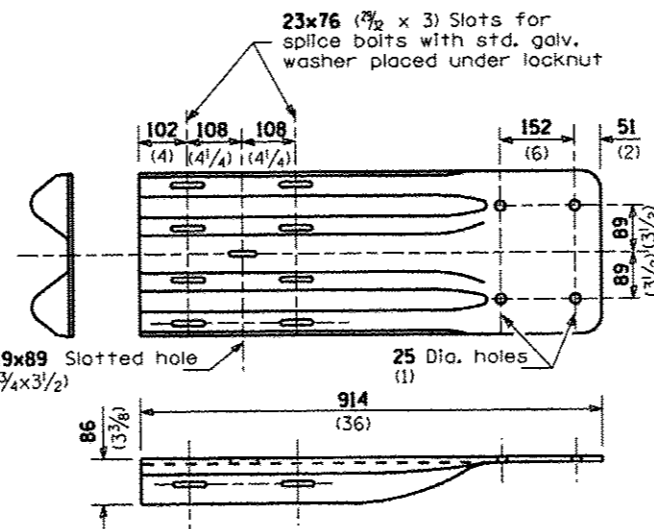
**ANCHOR PLATE T DETAILS**



Class A rail element



**END SECTION**



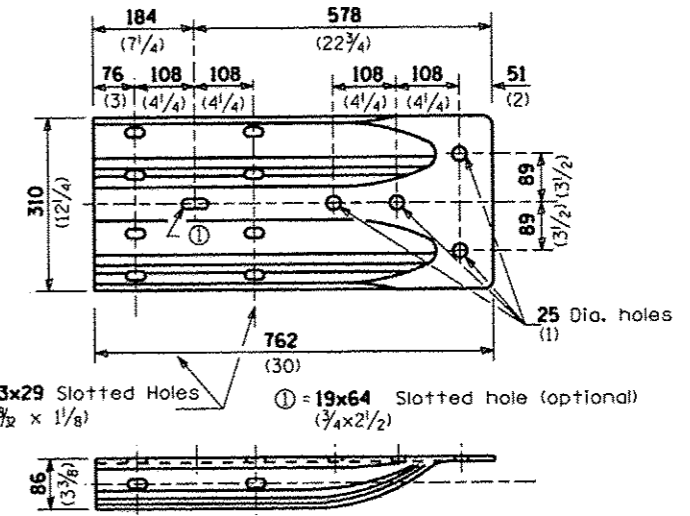
NOTE

When end shoe is attached to a bridge parapet which has an expansion joint, the bolts shall be provided with a locknut or double nut and shall be tightened only to a point that will allow guardrail movement.

The standard end shoe shall be attached to the concrete with pre-drilled or self-drilling anchor bolts. The anchor cone shall be set flush with the surface of the concrete.

Externally threaded studs protruding from the surface of the concrete will not be permitted.

**END SHOE**



**ALTERNATE END SHOE**

FILE NAME * #FILE#	USER NAME * #USER#	DESIGNED -	REVISED -	STATE OF ILLINOIS DEPARTMENT OF TRANSPORTATION	PRE-MGS EFFECTIVE 4-1-06 STEEL PLATE BEAM GUARDRAIL STANDARD 630001-06	F.A. RTE. Y&B.	SECTION	COUNTY	TOTAL SHEET NO.	
		DRAWN -	REVISED -		SCALE: _____ SHEET NO. _____ OF _____ SHEETS STA. _____ TO STA. _____	(Sheet 3 of 4)			43	25
		CHECKED -	REVISED -							CONTRACT NO. 66015
		DATE -	REVISED -							FED. ROAD DIST. NO. _____ ILLINOIS FED. AID PROJECT