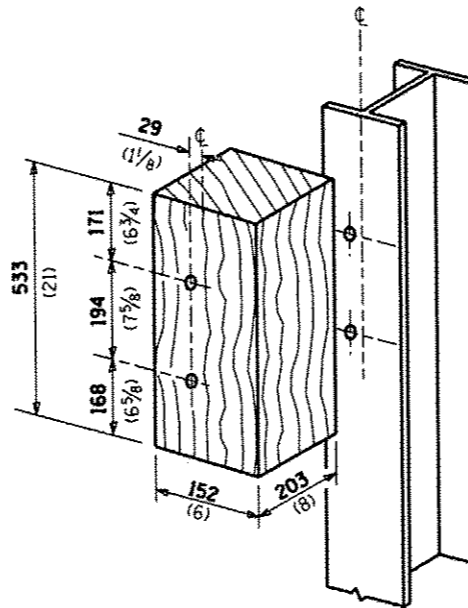


SECTION C-C

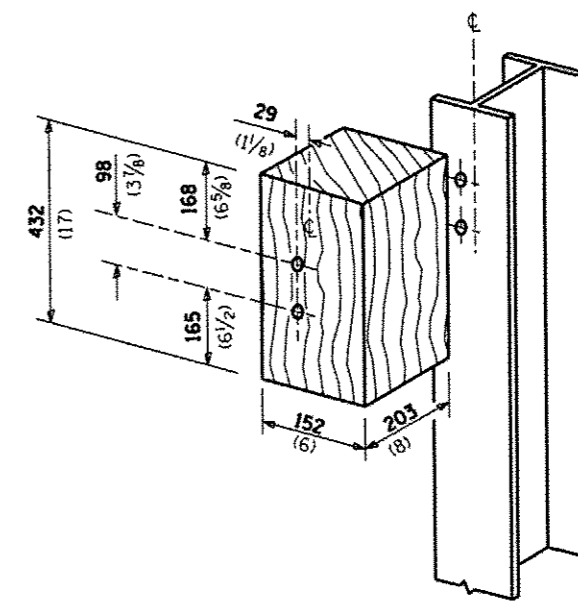
Bolts (A307) with washers and self locking nut or nut and jam nut. Top bolt 22 (7/8) by 229 (9). Bottom bolt 22 (7/8) by 127 (5) for curb mount or 22 (7/8) by 179 (7) for side mount.

- * Bolt 22x127 (7/8x5)
- ** Bolts 22x31 (7/8x2)

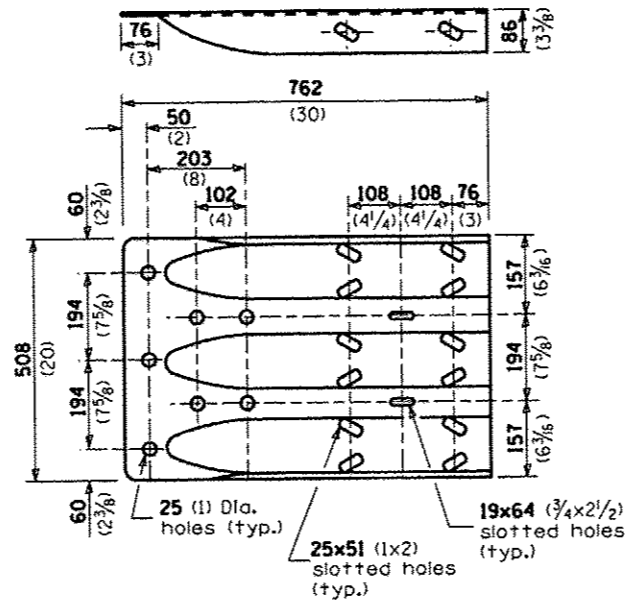
Note:
Side mounted rail similar as to connection details.



POSTS 1-11 WOOD BLOCKOUT DETAIL



POST 12 WOOD BLOCKOUT DETAIL



MODIFIED THRIE BEAM END SHOE DETAIL

FILE NAME * #FILE#	USER NAME * #USER#	DESIGNED -	REVISED -	STATE OF ILLINOIS DEPARTMENT OF TRANSPORTATION	PRE-MGS EFFECTIVE 4-1-06 TRAFFIC BARRIER TERMINAL, TYPE 6A STANDARD 631032-02 Sheet 2 of 3	F.A. RTE.	SECTION	COUNTY	TOTAL SHEETS	SHEET NO.
	PLOT SCALE * #SCALE#	CHECKED -	REVISED -			SCALE: _____	SHEET NO. _____ OF _____ SHEETS	STA. _____ TO STA. _____	VAR.	CONTRACT NO. 66015
PLOT DATE * #DATE#	DATE	DATE	DATE			FED. ROAD DIST. NO. ILLINOIS FED. AID PROJECT				