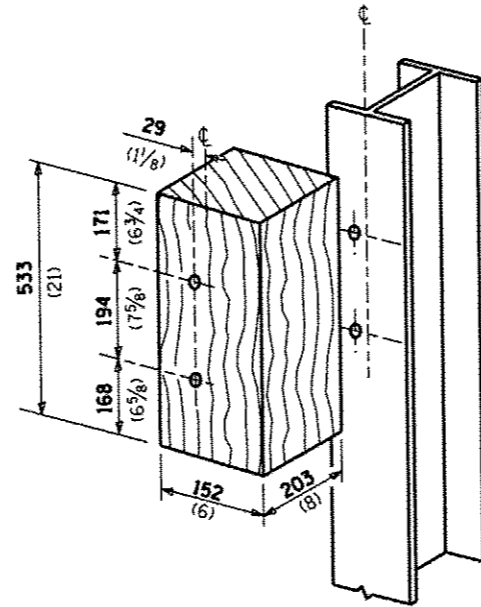
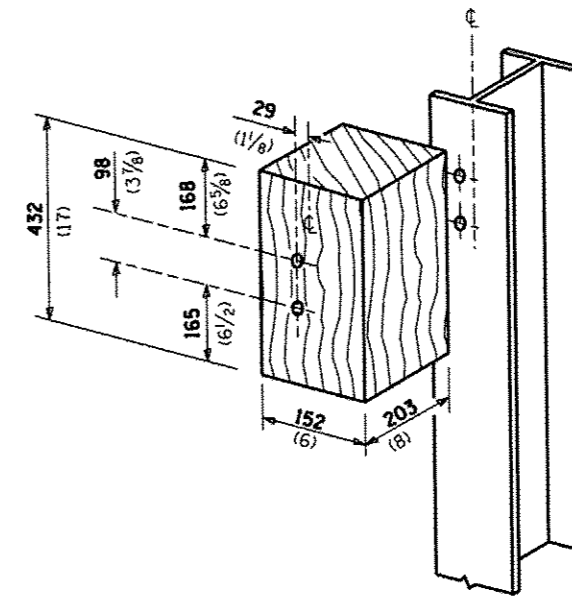


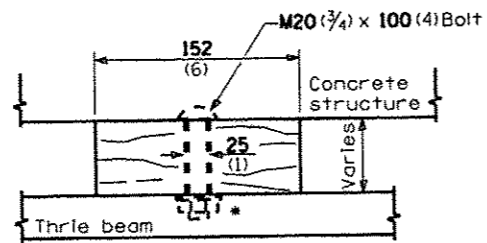
**MODIFIED THICKNESS WOOD BLOCKOUT DETAIL**



**POSTS 1-11 WOOD BLOCKOUT DETAIL**

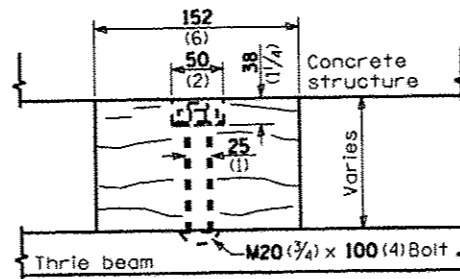


**POST 12 WOOD BLOCKOUT DETAIL**

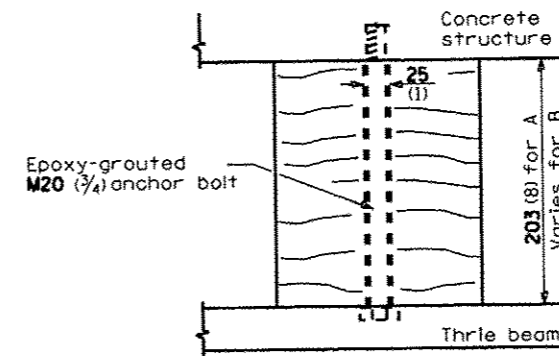


**WOOD BLOCKOUT D**

Bolt to thrie beam with M20 (3/4) by 100 (4) bolt, washer & nut. Reverse direction of insertion. \*



**WOOD BLOCKOUT C**



**WOOD BLOCKOUT A & B**

FILE NAME * #FILE#	USER NAME * #USER#	DESIGNED -	REVISED -	STATE OF ILLINOIS DEPARTMENT OF TRANSPORTATION	PRE-MGS EFFECTIVE 4-1-06 TRAFFIC BARRIER TERMINAL, TYPE 6B STANDARD 631033-01 Sheet 2 of 2	F.A. RTE.	SECTION	COUNTY	TOTAL SHEETS	SHEET NO.
	PLOT SCALE * #SCALE#	CHECKED -	REVISED -			VAR.	VAR.	43	40	
	PLOT DATE * #DATE#	DATE -	REVISED -			FED. ROAD DIST. NO.	ILLINOIS FED. AID PROJECT		CONTRACT NO. 66015	
	SCALE: _____		SHEET NO. _____ OF _____ SHEETS			STA. _____ TO STA. _____				

• D-3 HIGHWAY DAMAGE REPAIR 2015