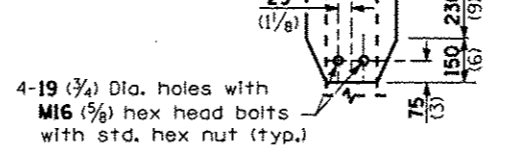
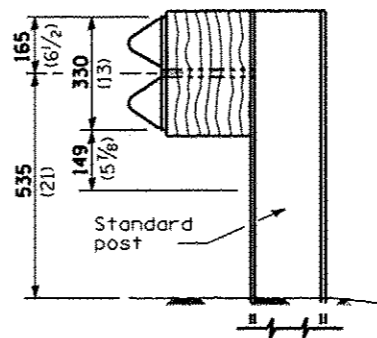


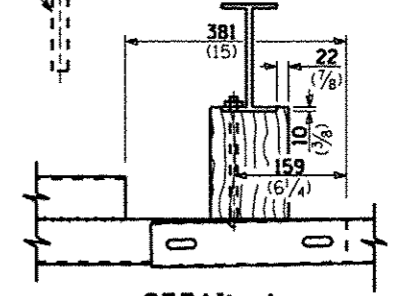
DETAILS of BLOCK-OUTS



SOIL PLATE J & ALTERNATE CONNECTION DETAILS



SECTION D-D



DETAIL A

GENERAL NOTES

See Standards 509001 and 630001 for details of guardrail elements not shown.  
 The type 9 terminal shall be installed after the posts for the bridge retrofit roll have been located as shown on Standard 509001.  
 All dimensions are in millimeters (inches) unless otherwise shown.

FILE NAME *	USER NAME * USER*	DESIGNED -	REVISED -	STATE OF ILLINOIS DEPARTMENT OF TRANSPORTATION	PRE-MGS EFFECTIVE 4-1-06 TRAFFIC BARRIER TERMINAL TYPE 9 STANDARD 631041-01	F.A. RTE.	SECTION	COUNTY	TOTAL SHEETS	SHEET NO.
#FILE#		DRAWN -	REVISED -			VAR.		VAR.	43	42
		CHECKED -	REVISED -			SCALE: _____ SHEET NO. _____ OF _____ SHEETS STA. _____ TO STA. _____		CONTRACT NO. 66015		
		DATE -	REVISED -			FED. ROAD DIST. NO. [ILLINOIS] FED. AID PROJECT				