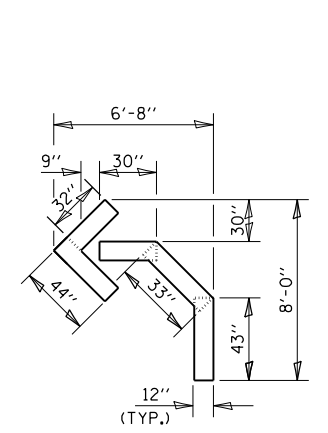
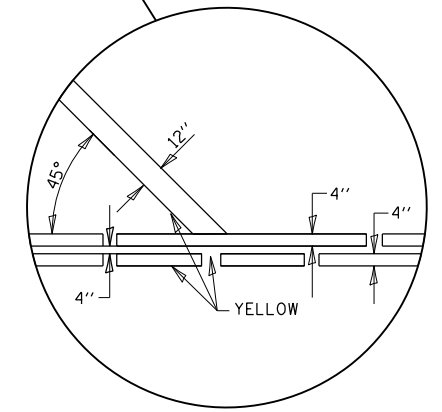
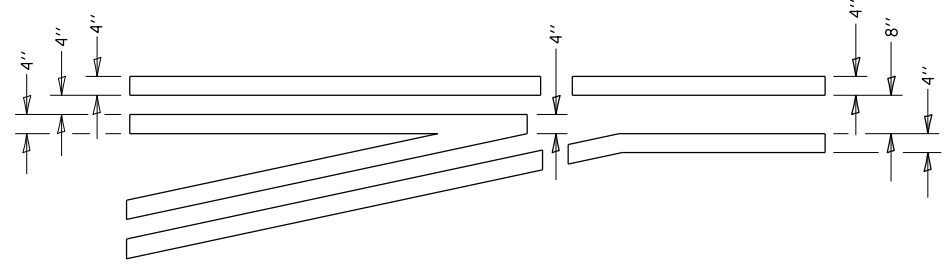
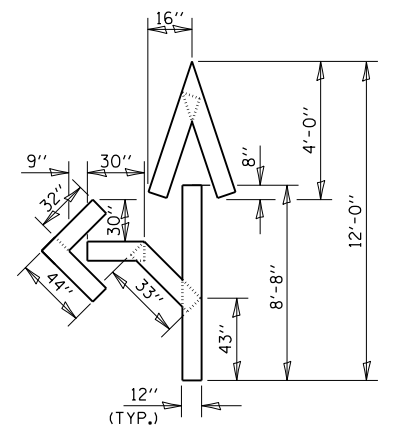


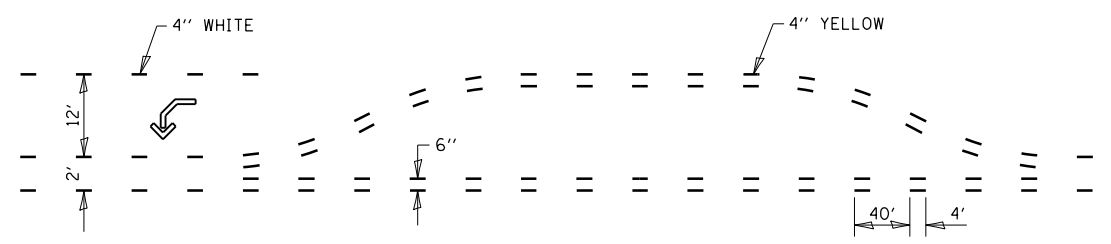
**TYPICAL APPLICATION
LEFT TURN LANES**



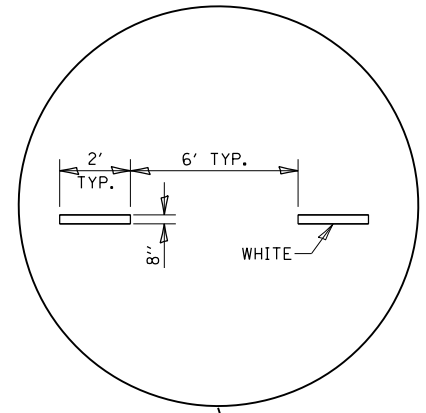
QUANTITY
12" LINE = 16 LIN. FT.
OR 4" LINE = 48 LIN. FT.



QUANTITY
12" LINE = 29 LIN. FT.
OR 4" LINE = 87 LIN. FT.

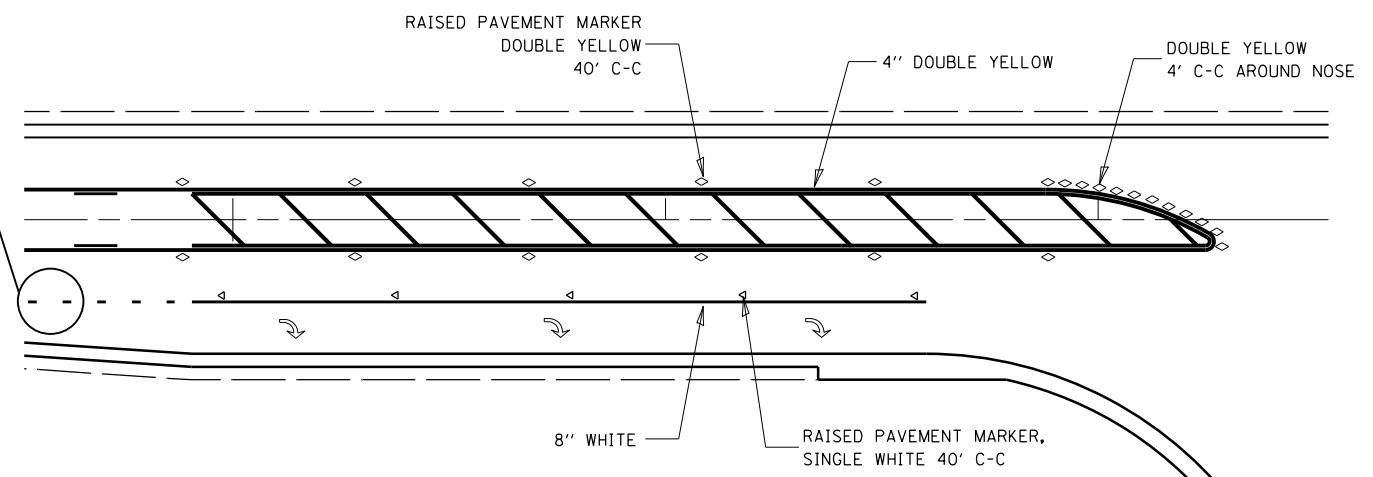


**SHORT-TERM PAVEMENT MARKING
FOR MEDIANS AND ARROWS**



**ADVANCE AND INTERSECTION LANE
DIVIDER LINES**

URBAN PAVEMENT MARKING



**RAISED REFLECTIVE AND PAVEMENT MARKERS
RIGHT TURN LANE**

| | | | | | | | | | | | |
|---|------------------------|------------|-----------|---|----------------|---------------------------|--------------------------|----------|--------------|-----------|--|
| FILE NAME = | USER NAME = budzynskim | DESIGNED - | REVISED - | STATE OF ILLINOIS DEPARTMENT OF TRANSPORTATION | DETAILS | F.A.P. RTE. | SECTION | COUNTY | TOTAL SHEETS | SHEET NO. | |
| ca:\pw_work\p\dot\budzynskim\d0377438\066058-sh-t-details.dgn | | DRAWN - | REVISED - | | | 41 | 011.118.118-3.118-2/BS-2 | KANKAKEE | 16 | 14 | |
| PLOT SCALE = 100.0000' / in. | | CHECKED - | REVISED - | | | CONTRACT NO. 66058 | | | | | |
| PLOT DATE = 6/7/2014 | | DATE - | REVISED - | | | ILLINOIS FED. AID PROJECT | | | | | |