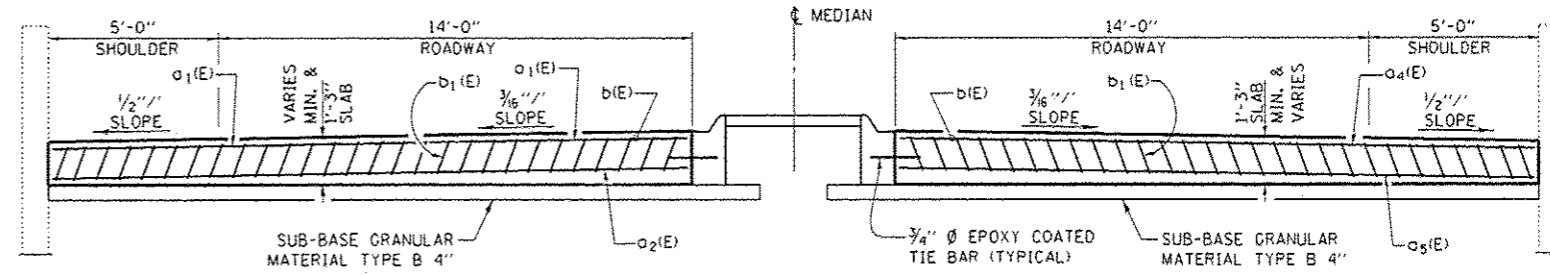
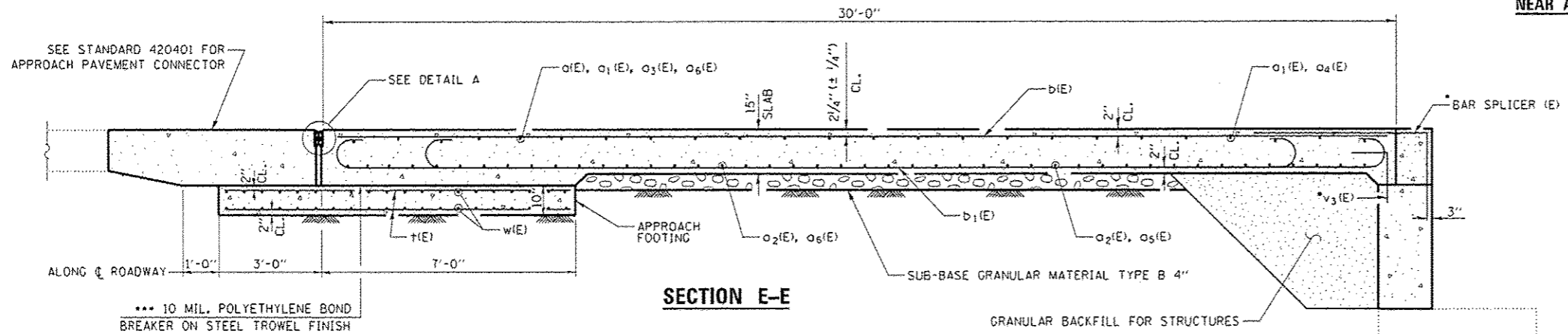


**SECTION C-C
AT APPROACH FOOTING**



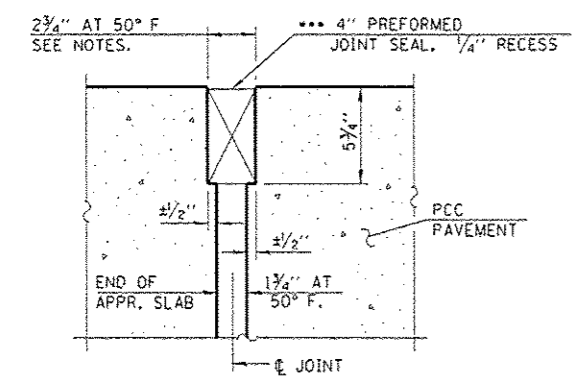
**SECTION D-D
NEAR ABUTMENT**

NOTES:
 APPROACH SLAB AND PARAPET CONCRETE SHALL BE PAID FOR AS CONCRETE SUPERSTRUCTURE.
 APPROACH FOOTING CONCRETE SHALL BE PAID FOR AS CONCRETE STRUCTURES.
 REINFORCEMENT SHALL BE PAID FOR AS REINFORCEMENT BARS, EPOXY COATED.
 FOR $v_3(E)$ BAR DETAILS, SEE SHEET 21 OF 27.
 THE APPROACH FOOTING MAXIMUM APPLIED SERVICE BEARING PRESSURE (OMAX) = 2.0 KSF.
 FOR BAR SPLICER DETAILS, SEE SHEET 22 OF 27.
 COST OF EXCAVATION FOR APPROACH FOOTING INCLUDED WITH CONCRETE STRUCTURES.

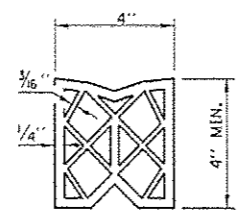


SECTION E-E

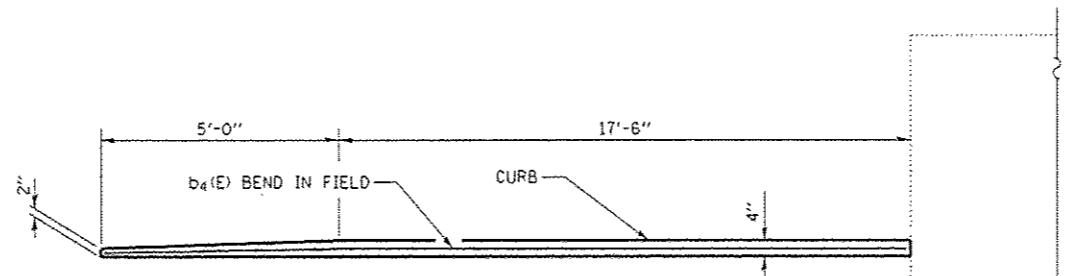
*** 10 MIL. POLYETHYLENE BOND BREAKER ON STEEL TROWEL FINISH



DETAIL A



PREFORMED JOINT SEAL



VIEW F-F

**BILL OF MATERIAL
AT WEST END APPROACHS**

| BAR | NO. | SIZE | LENGTH | SHAPE |
|----------------------------------|-----|------|--------|-------|
| a(E) | 14 | #4 | 11'-3" | ┌───┐ |
| a1(E) | 34 | #4 | 10'-9" | ┌───┐ |
| a2(E) | 90 | #5 | 11'-2" | ┌───┐ |
| a3(E) | 14 | #4 | 19'-7" | ┌───┐ |
| a4(E) | 10 | #4 | 19'-3" | ┌───┐ |
| a5(E) | 19 | #5 | 19'-3" | ┌───┐ |
| a6(E) | 26 | #5 | 19'-3" | ┌───┐ |
| b(E) | 30 | #4 | 29'-9" | ┌───┐ |
| b1(E) | 90 | #9 | 29'-9" | ┌───┐ |
| b2(E) | 2 | #4 | 17'-3" | ┌───┐ |
| t(E) | 80 | #4 | 9'-9" | ┌───┐ |
| w(E) | 80 | #5 | 11'-2" | ┌───┐ |
| w1(E) | 40 | #6 | 19'-3" | ┌───┐ |
| CONCRETE STRUCTURE | | | CU YD | 12.1 |
| CONCRETE SUPERSTRUCTURE | | | CU YD | 54.0 |
| REINFORCEMENT BARS, EPOXY COATED | | | POUNDS | 14000 |

BARS INDICATED THUS 1 x 2-#5 ETC. INDICATES 1 LINE OF BARS WITH 2 LENGTHS PER LINE.