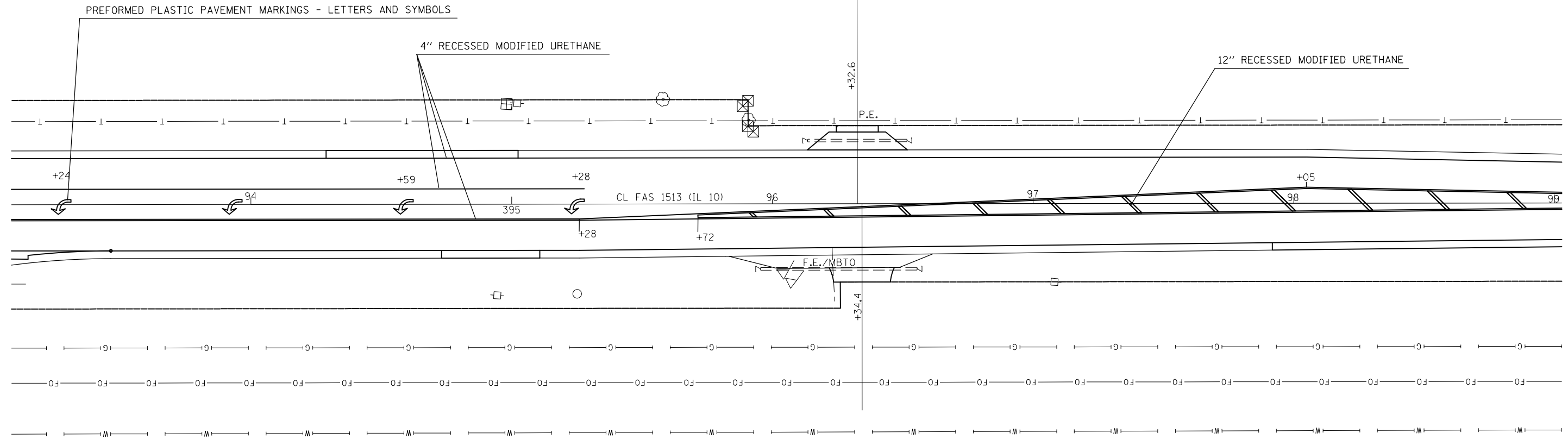


SEC. 9 - T19N-R7E - 3RD PM



SEC. 16 - T19N-R7E - 3RD PM

FILE NAME =	USER NAME = ceerlockjd	DESIGNED -	REVISD -
ce:\pwork\pwork\ceerlockjd\0285170\0370841-sht-Plan_20.dgn		DRAWN -	REVISD -
	PLOT SCALE = 40.0000' / in.	CHECKED -	REVISD -
	PLOT DATE = 5/15/2014	DATE -	REVISD -

STATE OF ILLINOIS
DEPARTMENT OF TRANSPORTATION

IL 10 AND IL 7	
PAVEMENT STRIPING AND SURVEY MARKERS	
SCALE: _____	SHEET ____ OF ____ SHEETS STA. _____ TO STA. _____

* D5 PATCH & RES 2014-7				
F.A.S. RTE.	SECTION	COUNTY	TOTAL SHEETS	SHEET NO.
1513	*	CHAMP/PIATT	40	24
CONTRACT NO. 70841				
ILLINOIS FED. AID PROJECT				