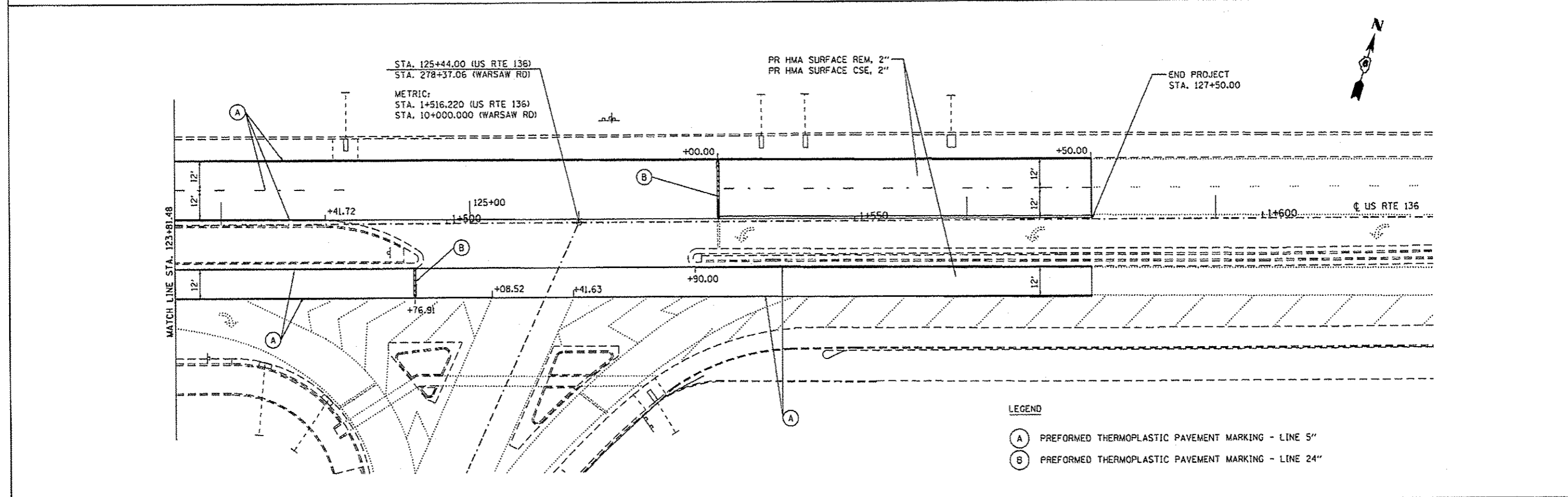


LEGEND

- (A) PREFORMED THERMOPLASTIC PAVEMENT MARKING - LINE 5"
- (B) PREFORMED THERMOPLASTIC PAVEMENT MARKING - LINE 24"



LEGEND

- (A) PREFORMED THERMOPLASTIC PAVEMENT MARKING - LINE 5"
- (B) PREFORMED THERMOPLASTIC PAVEMENT MARKING - LINE 24"

FILE NAME = c:\pawork\paw\dot\brghenme\1036210\027201-shr\plan.dgn	USER NAME = brghenme	DESIGNED - DMS	REVISED - _____	STATE OF ILLINOIS DEPARTMENT OF TRANSPORTATION	PLAN SHEET F.A.P. 315 (US 136)	F.A.P. RTE. = 315	SECTION =	COUNTY = HANCOCK	TOTAL SHEETS = 7	SHEET NO. = 7
	PLOT SCALE = 48.0000' / 1"	CHECKED - _____	REVISED - _____			SCALE: _____ SHEET _____ OF _____ SHEETS	STA. _____ TO STA. _____	ILLINOIS FED. AID PROJECT		CONTRACT NO. 72051
Default	PLOT DATE = Jun-19-2014 09:12:02AM	DATE = _____	REVISED - _____	(28)RS-8,(29)RS-6,(30)RS-2						