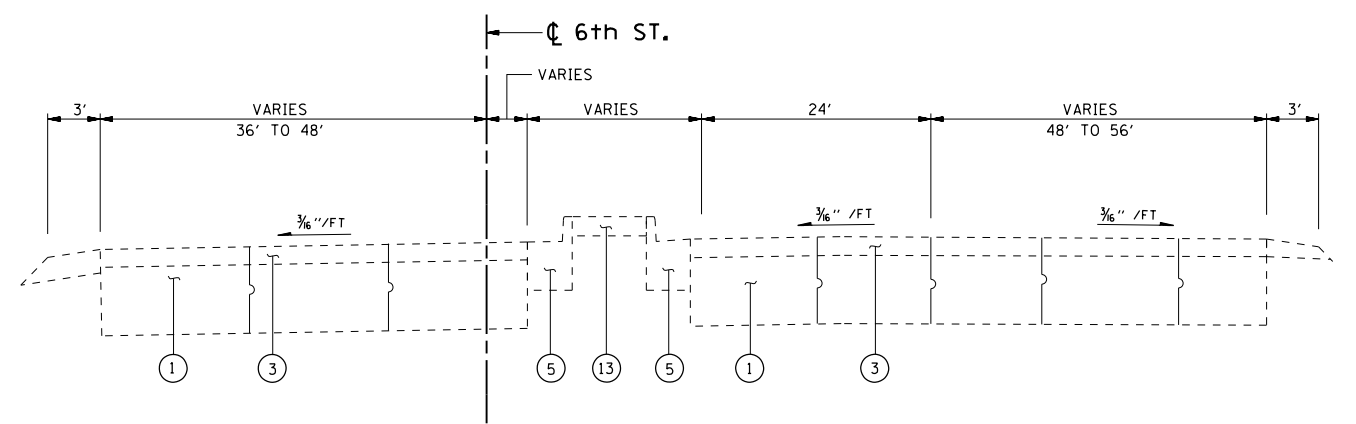
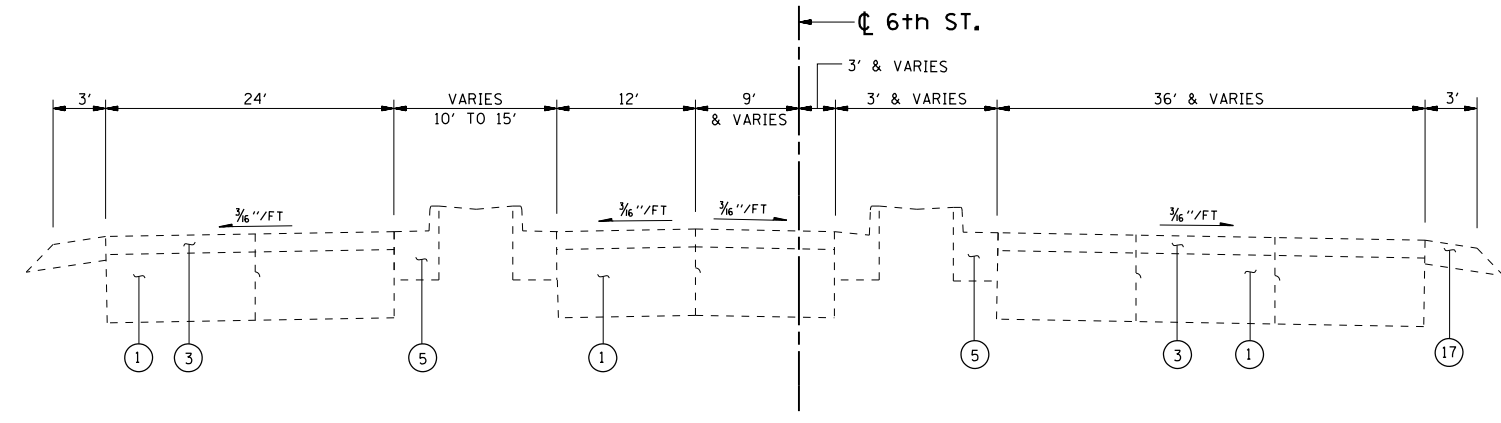


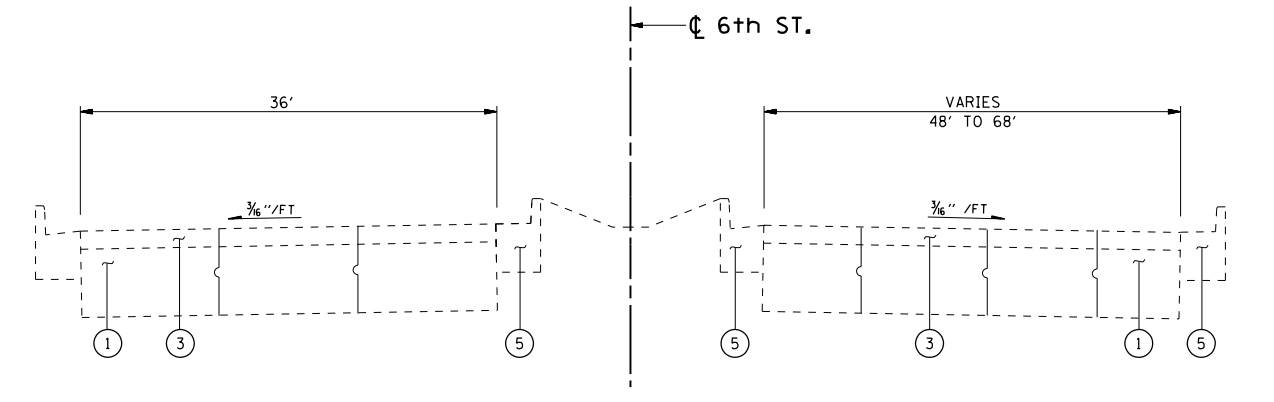
**TYPICAL SECTION**  
**STA. 53+11 TO STA. 54+28**



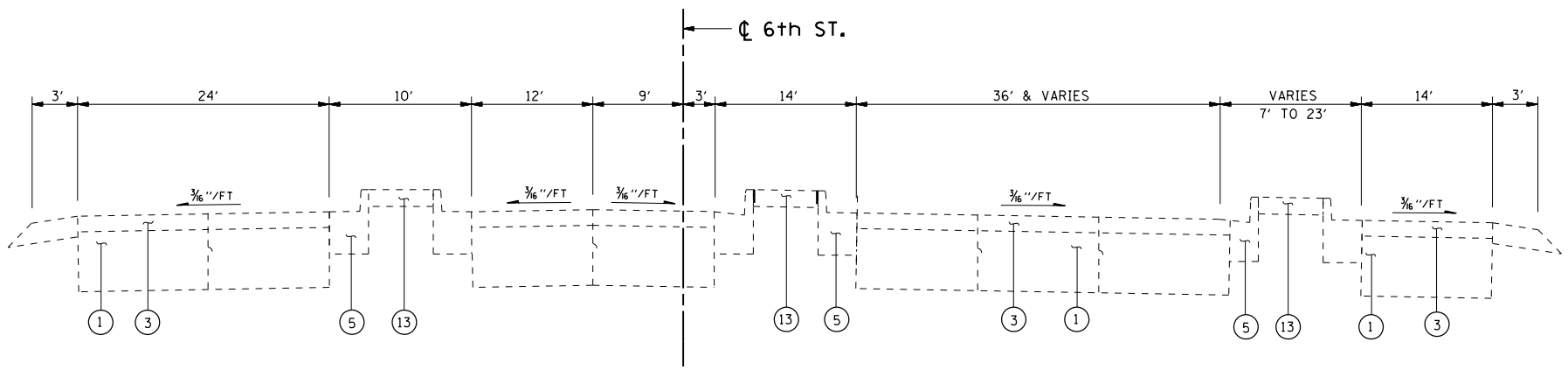
**TYPICAL SECTION**  
**STA. 57+89 TO STA. 64+74 LT**  
**STA. 57+46 TO STA. 64+74 RT**



**TYPICAL SECTION**  
**STA. 55+42 TO STA. 57+20 LT**  
**STA. 55+42 TO STA. 56+63 RT**



**TYPICAL SECTION**  
**STA. 65+20 TO STA. 67+56**



**TYPICAL SECTION**  
**STA. 57+20 TO STA. 57+89 LT**  
**STA. 56+63 TO STA. 57+46 RT**

- LEGEND**
- ① EX PCC PAVEMENT, 10"
  - ② EX ORIGINAL PCC PAVEMENT
  - ③ EX BINDER & SURFACE COURSES
  - ④ EX BITUMINOUS SHOULDER
  - ⑤ EX COMBINATION CURB & GUTTER M-6.24
  - ⑥ EX COMBINATION CURB & GUTTER M-6.06
  - ⑦ EX COMBINATION CURB & GUTTER SPECIAL
  - ⑧ EX COMBINATION CURB & GUTTER
  - ⑨ EX BITUMINOUS CONCRETE BASE COURSE WIDENING
  - ⑩ EX BITUMINOUS BASE COURSE
  - ⑪ EX BITUMINOUS CONCRETE BASE COURSE
  - ⑫ EX CORRUGATED MEDIAN
  - ⑬ EX CONCRETE MEDIAN SURFACE

FILE NAME =	USER NAME = sparksgw	DESIGNED - MOK	REVISED -
ei:\pwork\pwork\pwork\sparksgw\10397739\10672\08-shr-typical.dgn		DRAWN - MOK	REVISED -
Default	PLOT SCALE = 200.0000' / in.	CHECKED -	REVISED -
	PLOT DATE = May-22-2014 04:02:04PM	DATE -	REVISED -

**STATE OF ILLINOIS**  
**DEPARTMENT OF TRANSPORTATION**

TYPICAL SECTIONS				
SCALE:	SHEET	OF	SHEETS	STA. TO STA.

F.A.P. RTE.	SECTION	COUNTY	TOTAL SHEETS	SHEET NO.
666	...	SANGAMON	19	8
ILLINOIS FED. AID PROJECT			CONTRACT NO. 72H08	