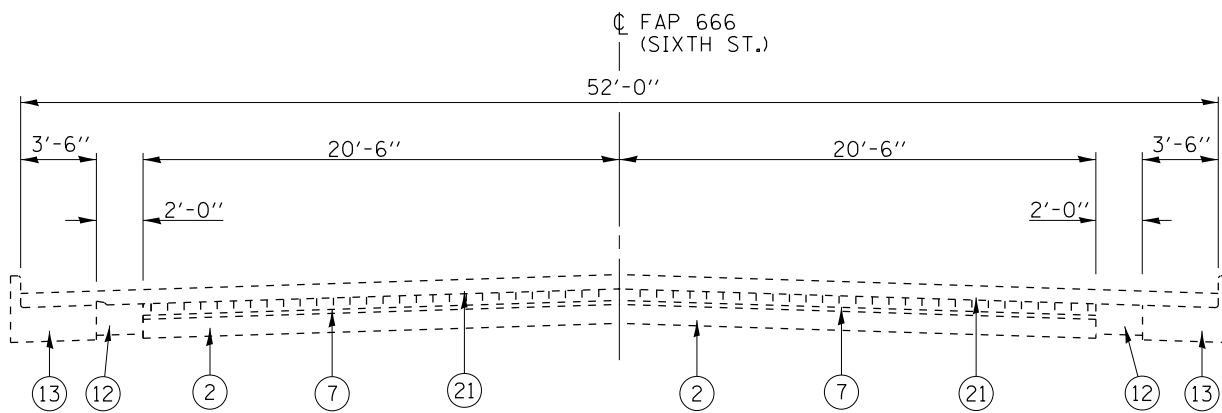
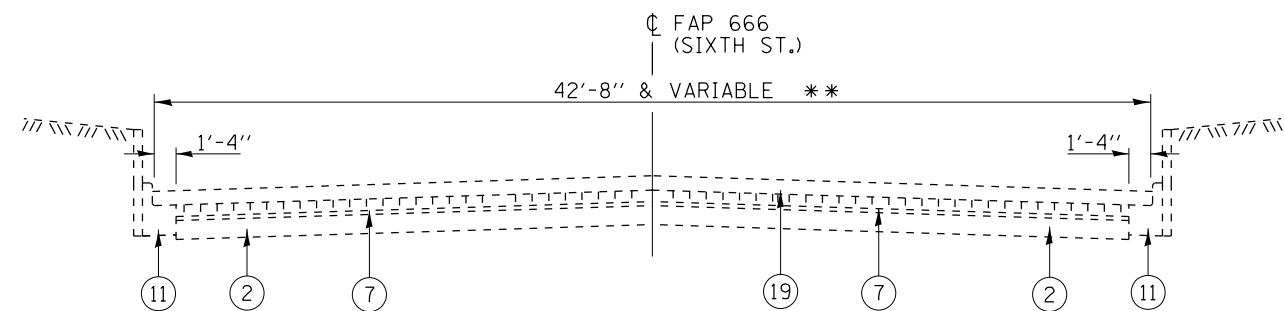


STATION 1+64 to STATION 18+00

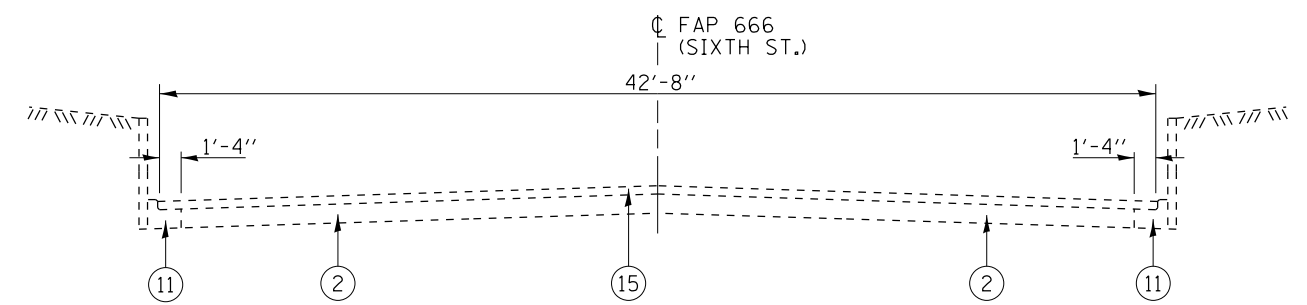


STATION 18+00 to STATION 24+08 RT.
STATION 18+00 to STATION 24+33.60 LT.
STATION 28+87 to STATION 34+72.20
(STA. EQUATION: STA. 34+72.20 BK = STA. 1+82.20 AH)
STATION 1+82.20 to STATION 3+23

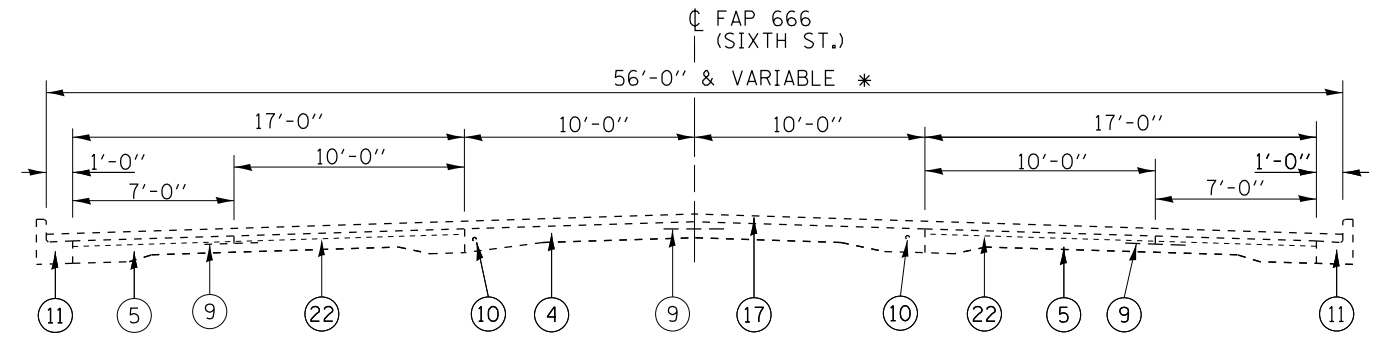


STATION 24+08 to STATION 25+58 RT.
STATION 24+33.60 to STATION 25+58 LT.
STATION 26+81 to STATION 28+87

** FROM STA. 28+70 TO STA. 28+87
WIDTH VARIES:
FROM 42'-8" TO 52'-0"

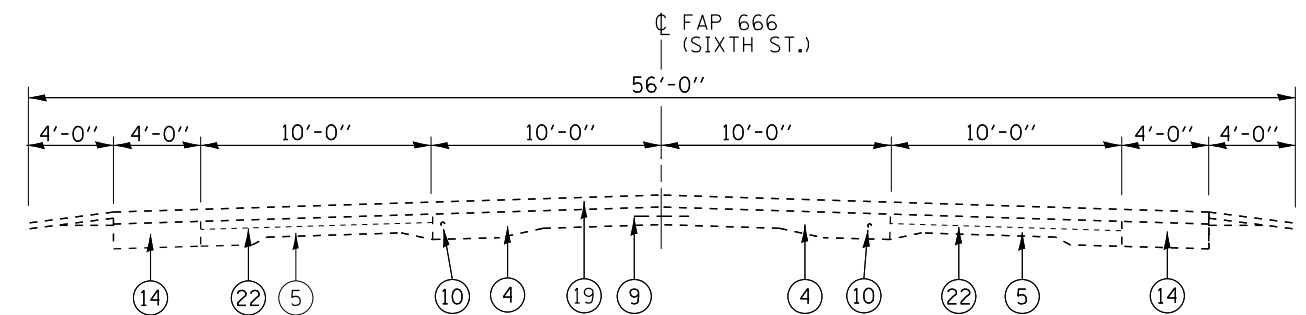


STATION 25+58 to STATION 26+81



STATION 3+23 to STATION 18+10

* FROM STA. 17+85 to STA. 18+10
WIDTH VARIES:
FROM 56'-0" TO 48'-0"



STATION 18+10 to STATION 22+32.58
(STA. EQUATION: STA. 22+32.58 BK = STA. 5+76.23 AHD)
STATION 5+76.23 to STA. 6+03

EXISTING LEGEND

- | | |
|--|---|
| ① EXISTING SUB-BASE (VARIABLE DEPTH) | ⑪ EXISTING COMBINATION CONCRETE CURB & GUTTER |
| ② EXISTING PCC BASE COURSE, 6" | ⑫ EXISTING CONCRETE GUTTER PAN |
| ③ EXISTING PCC BASE COURSE, 9" | ⑬ EXISTING P.C.C. CURB & BASE COURSE WIDENING, 9" |
| ④ EXISTING PCC PAVEMENT [9"-6"-9"] | ⑭ EXISTING WIDENING, 9" |
| ⑤ EXISTING PCC PAVEMENT [9"-7"-9"] | ⑮ EXISTING BITUMINOUS CONCRETE SURFACE, 3.25" |
| ⑥ EXISTING GRAVEL OR CRUSHED STONE BASE COURSE, TYPE A, 14" | ⑯ EXISTING BITUMINOUS CONCRETE SURFACE, 2" |
| ⑦ EXISTING BRICK WEARING SURFACE AND SAND CUSHION (TOTAL 3" DEPTH) | ⑰ EXISTING BITUMINOUS CONCRETE SURFACE, 2.5" |
| ⑧ EXISTING CBM (CEMENT BOUND MATERIAL) PAVEMENT, 7" | ⑱ EXISTING BITUMINOUS CONCRETE SURFACE, 3" |
| ⑨ EXISTING TIE BAR, #4 AT 2'-6" CENTERS | ⑲ EXISTING BITUMINOUS CONCRETE SURFACE, 3.5" |
| ⑩ EXISTING 7/8" SMOOTH BAR | ⑳ EXISTING BITUMINOUS CONCRETE SURFACE, 4.5" |
| | ㉑ EXISTING BITUMINOUS CONCRETE SURFACE, 5.75" |
| | ㉒ EXISTING PAVEMENT FABRIC |

FILE NAME =	USER NAME = sparksgw	DESIGNED - MOK	REVISED -
ei:\pwwork\pwwork\sparksgw\10397739\10672\108-sh-t-typical.dgn		DRAWN - MOK	REVISED -
Default	PLOT SCALE = 200.0000' / in.	CHECKED -	REVISED -
	PLOT DATE = May-22-2014 04:02:05PM	DATE -	REVISED -

STATE OF ILLINOIS
DEPARTMENT OF TRANSPORTATION

TYPICAL SECTIONS

SCALE: SHEET OF SHEETS STA. TO STA.

F.A.P. RTE. 666	SECTION ***	COUNTY SANGAMON	TOTAL SHEETS 19	SHEET NO. 12
CONTRACT NO. 72H08			ILLINOIS FED. AID PROJECT	