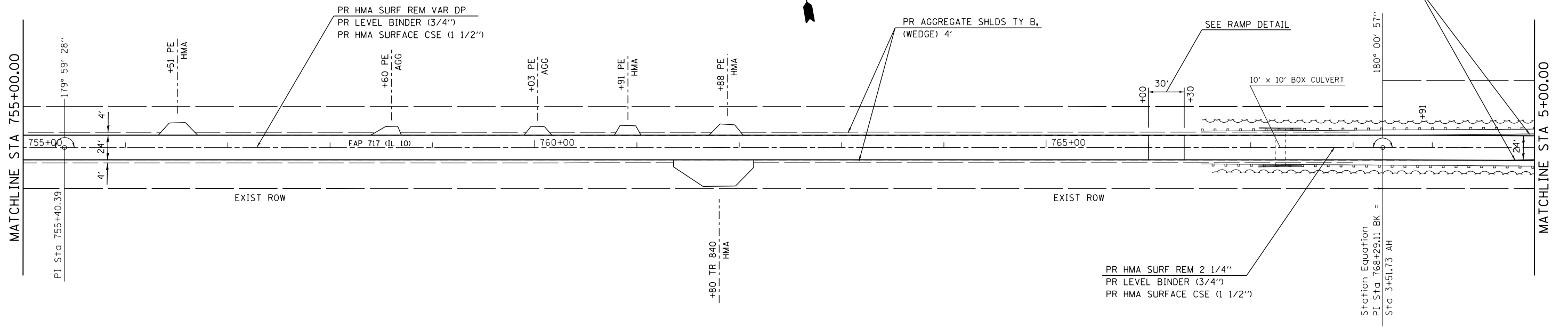
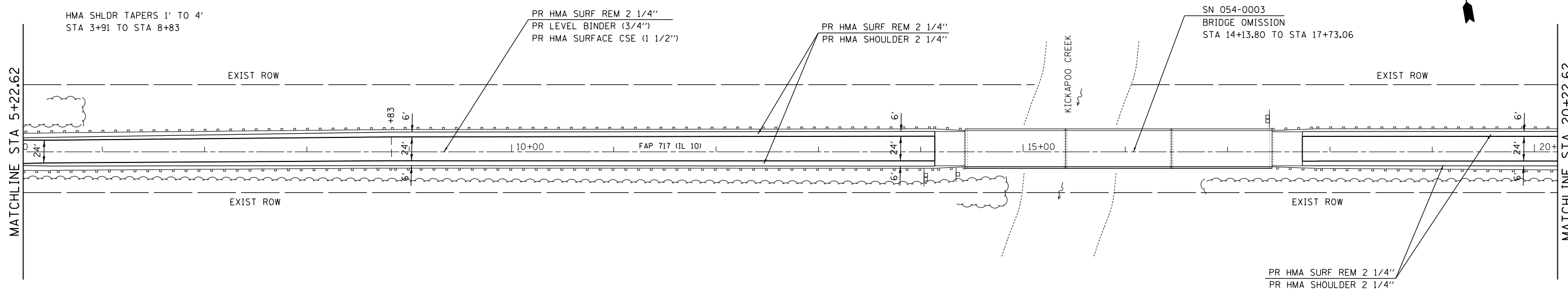


HMA SHLDR TAPERS 1' TO 4'
STA 3+91 TO STA 8+83



SEE ENTRANCE DETAIL AND SCHEDULES FOR ADDITIONAL INFORMATION



SEE ENTRANCE DETAIL AND SCHEDULES FOR ADDITIONAL INFORMATION

FILE NAME = c:\pwork\pwork\pwork\sparks\g\0402311\0672\27-sht-plan.dgn	USER NAME = sparksgw	DESIGNED -	REVISED -	STATE OF ILLINOIS DEPARTMENT OF TRANSPORTATION	PLAN SHEET FAP 717 (IL 10)			F.A.P. RTE.	SECTION	COUNTY	TOTAL SHEETS	SHEET NO.
	PLOT SCALE = 100.0000' / 1" / 1" / 1"	CHECKED -	REVISED -					717	(102)RS-4, (103)RS-3	LOGAN	25	20
PLOT DATE = Jun-06-2014 01:54:14PM	DATE -	REVISED -	REVISED -	SCALE: SHEET NO. OF SHEETS STA. TO STA.			CONTRACT NO. 72H27 ILLINOIS FED. AID PROJECT					