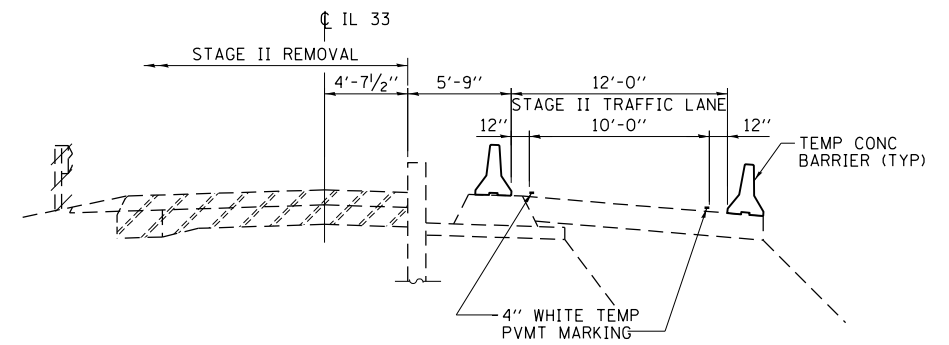
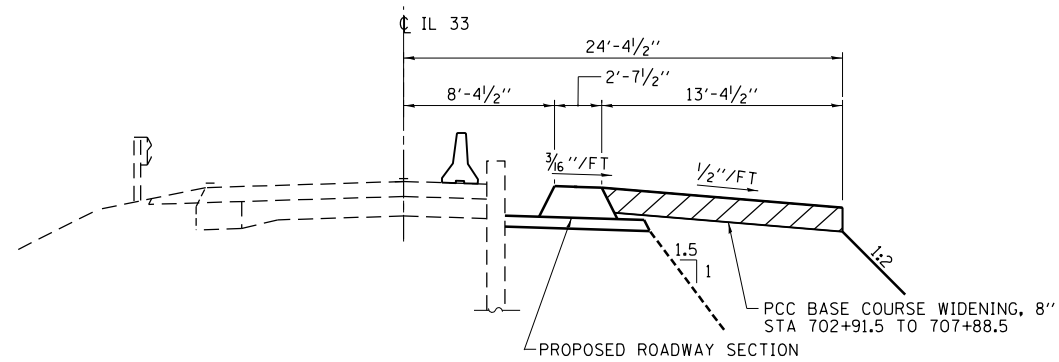
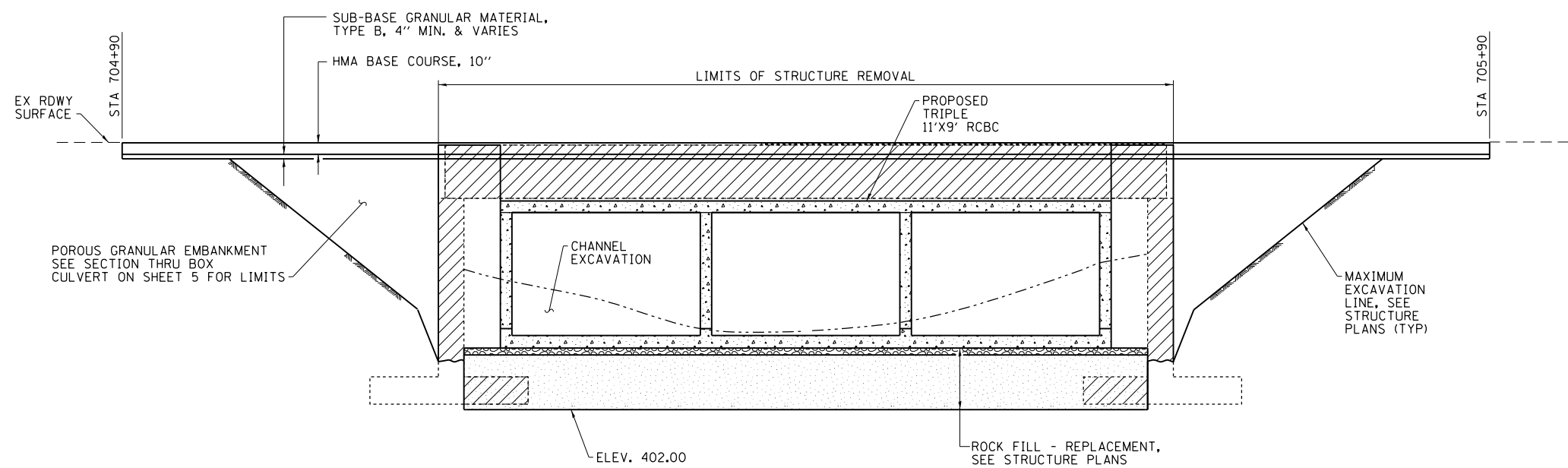
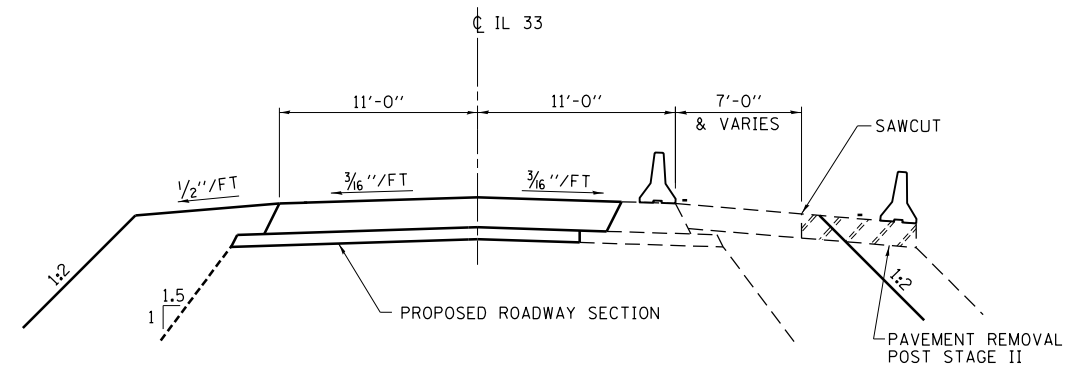


**SECTION A-A  
(STAGE I)**



**SECTION B-B  
(STAGE II)**



**SECTION C-C**

FILE NAME =	USER NAME = steffennk	DESIGNED - DAJ	REVISED -
B:\Projects\2014\74105\Drawings\02\Stage I\02-01.dwg	6/2/2014 11:59:11 AM	DRAWN - HAS	REVISED -
		CHECKED - ELH	REVISED -
		DATE - 06/11	REVISED -

**STATE OF ILLINOIS  
DEPARTMENT OF TRANSPORTATION**

<b>STAGE CONSTRUCTION DETAILS</b>	
SCALE:	SHEET NO. 1 OF 1 SHEETS STA. TO STA.

F.A.P. RTE.	SECTION	COUNTY	TOTAL SHEETS	SHEET NO.
781	109B-1	LAWRENCE	34	12
FED. ROAD DIST. NO. ILLINOIS FED. AID PROJECT AID			CONTRACT NO. 74105	