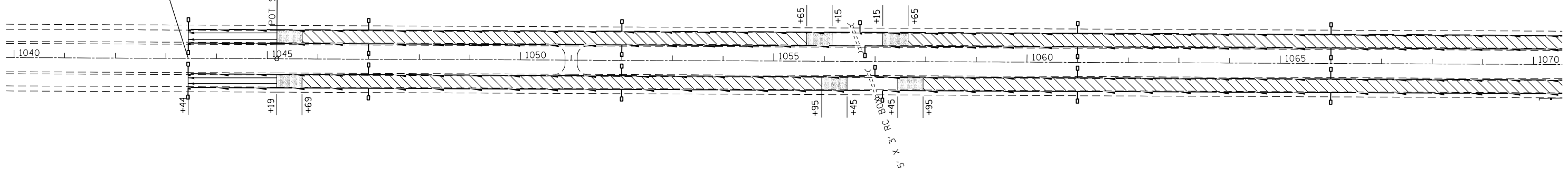
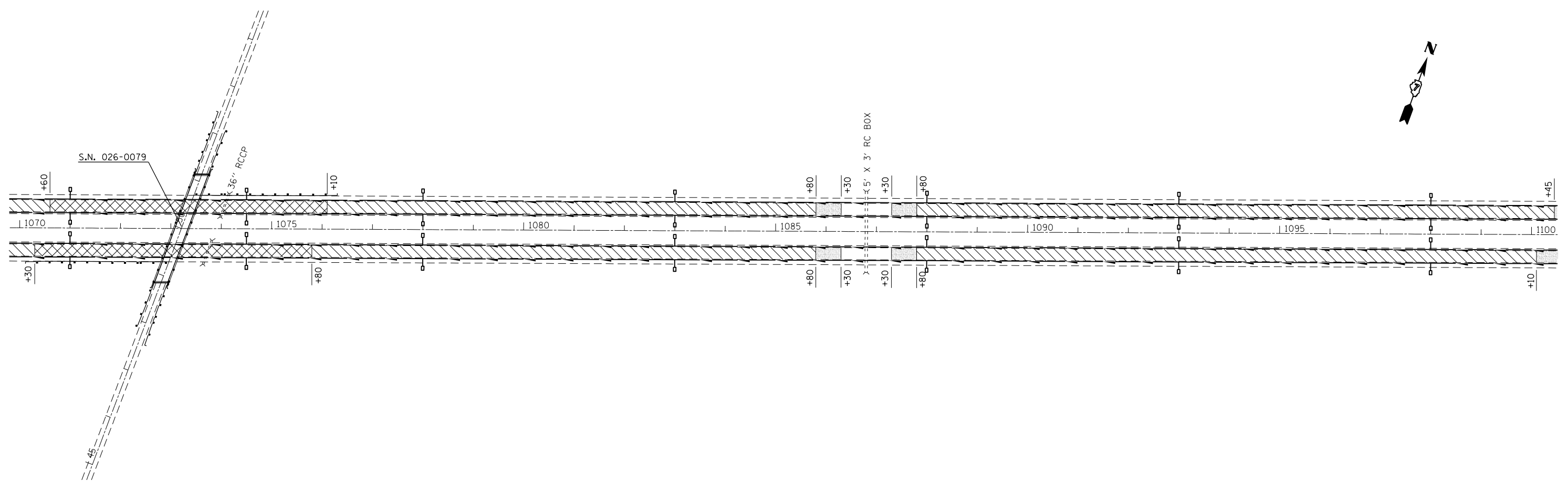


F.A.I. ROUTE 70 (I-70)
SECTION (26-5,26-5-1,25-1-1)R
FAYETTE COUNTY
PROJECT BEGINS STA. 1043+44



- LEGEND**
- RUBBLIZATION
 - PAVEMENT REMOVAL & REPLACEMENT
 - CRACK & SEAT



FILE NAME =	USER NAME = swartzrw	DESIGNED -	REVISED -
ei:\pw_work\pwidot\swartzrw\d0186577\077469-sht-plan.dgn		DRAWN -	REVISED -
	PLOT SCALE = 200.0000' / in.	CHECKED -	REVISED -
	PLOT DATE = 6/5/2014	DATE -	REVISED -

**STATE OF ILLINOIS
DEPARTMENT OF TRANSPORTATION**

PLAN

SCALE: 100 SHEET NO. 1 OF 9 SHEETS STA. 1045+19 TO STA. 1100+00

F.A.I. RTE.	SECTION	COUNTY	TOTAL SHEETS	SHEET NO.
70	(26-5,26-5-1,25-1-1)R		92	31
CONTRACT NO. 74469				
ILLINOIS FED. AID PROJECT				

• EFFINGHAM & FAYETTE