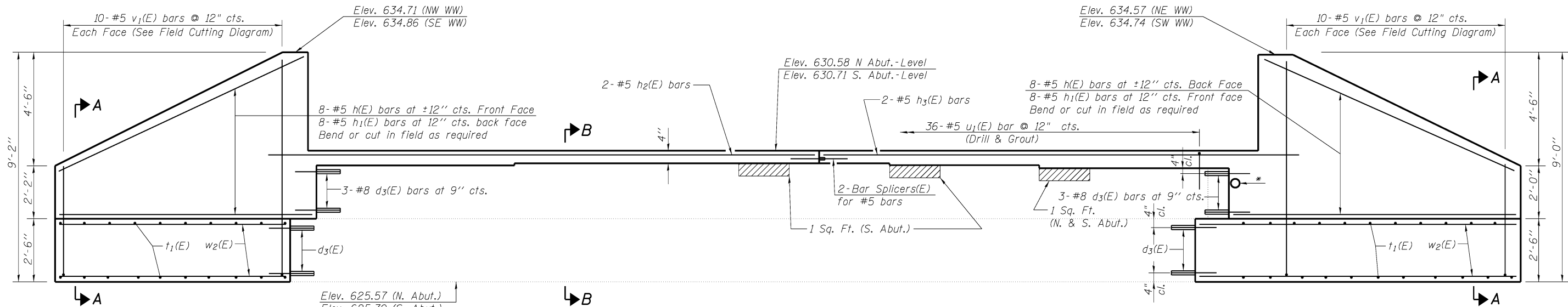


NORTH ABUTMENT PLAN
(South Abutment Similar)



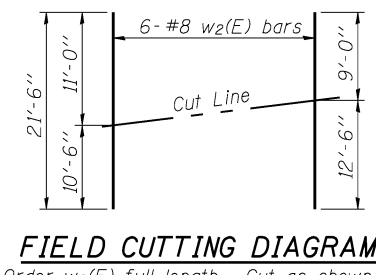
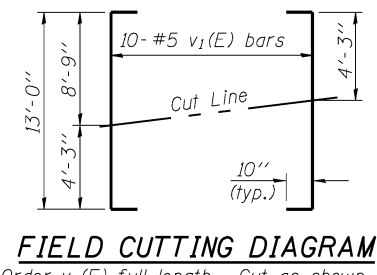
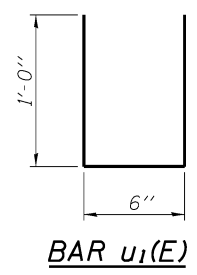
ELEVATION
(Looking North)

*Approximate 3" φ formed opening for the lighting conduit. Cost included with Concrete Structures.

**TWO ABUTMENTS
BILL OF MATERIAL**

Bar	No.	Size	Length	Shape
d3(E)	52	#8	2'-0"	—
h(E)	32	#5	10'-5"	—
h1(E)	32	#5	10'-9"	—
h2(E)	4	#5	20'-10"	—
h3(E)	4	#5	18'-0"	—
t1(E)	88	#5	5'-2"	—
u1(E)	72	#5	2'-6"	⊏
v1(E)	40	#5	14'-8"	┌
w2(E)	24	#8	21'-6"	—

▨ - Structural Repair of Concrete (Depth equal to or less than 5")



FIELD CUTTING DIAGRAM
Order v1(E) full length. Cut as shown and use remainder of bars in opposite face.

FIELD CUTTING DIAGRAM
Order w2(E) full length. Cut as shown and use remainder of bars in opposite footing.

Concrete Structures	Cu. Yd.	30.9
Reinforcement Bars, Epoxy Coated	Pound	3,800
Structure Excavation	Cu. Yd.	221
Granular Backfill for Structures	Cu. Yd.	215
Structural Repair of Concrete (Depth equal to or less than 5")	Sq. Ft.	7

Notes:
The cost of drilling and grouting d3(E) and u1(E) bars is included with Reinforcement Bars, Epoxy Coated. Installation as per Sec. 584 of the Standard Specifications. Min. depth of embedment will be 9".
See Sheet 20 of 24 for Sections A-A and B-B.



USER NAME =	DESIGNED - WJV	REVISED -
PLOT SCALE =	CHECKED - CJB	REVISED -
PLOT DATE = 12-22-2011	DRAWN - WJV	REVISED -
	CHECKED - CJB	REVISED -

**STATE OF ILLINOIS
DEPARTMENT OF TRANSPORTATION**

**ABUTMENTS
STRUCTURE NO. 026-0055**
SHEET NO. 19 OF 24 SHEETS

F.A.S. RTE.	SECTION	COUNTY	TOTAL SHEETS	SHEET NO.
2720	(26-5,26-5-1,26-1-1)R	Fayette	92	86
CONTRACT NO. 74469				
ILLINOIS FED. AID PROJECT				