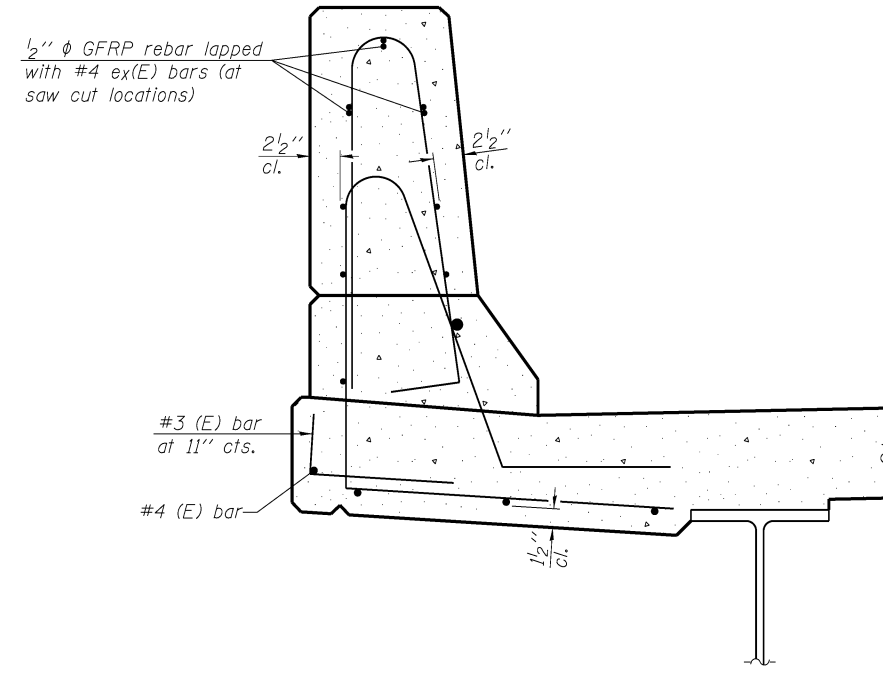
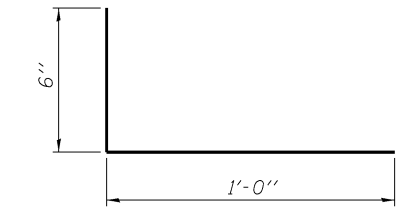


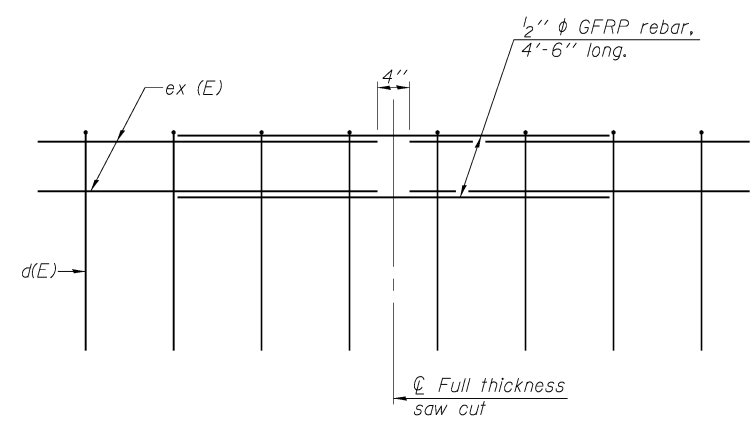
SECTION
(Showing dimensions)



SECTION
(Showing reinforcement clearances for slip forming and additional reinforcement bars)



#3 (E) BAR



GFRP REBAR STIFFENING DETAIL
(Place as shown in parapet section at each parapet joint location.)

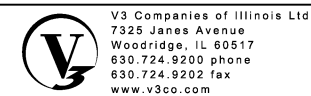
GENERAL NOTES

All dimensions shall remain the same as shown on superstructure details, except dimensions A and B which are to be revised as shown to provide additional clearance. Additional concrete needed to revise dimension A and B = 0.0165 cu. yds./ft. of parapet.
Place aluminum sheet in curb portion at and near piers. Full thickness saw cut at all joint locations in lieu of cork joint filler.
Steel superstructure shown. Other superstructure types similar.

* See Superstructure Details.

SFP-34

7-1-10



USER NAME =	DESIGNED - WJV	REVISED -
	CHECKED - CJB	REVISED -
PLOT SCALE =	DRAWN - WJV	REVISED -
PLOT DATE = 12-22-2011	CHECKED - CJB	REVISED -

**STATE OF ILLINOIS
DEPARTMENT OF TRANSPORTATION**

**CONCRETE PARAPET SLIPFORMING OPTION
STRUCTURE NO. 026-0055**

SHEET NO. 22 OF 24 SHEETS

F.A.S. RTE.	SECTION	COUNTY	TOTAL SHEETS	SHEET NO.
2720	(26-5,26-5-1,26-1-1)R	Fayette	92	89
			CONTRACT NO. 74469	

ILLINOIS FED. AID PROJECT