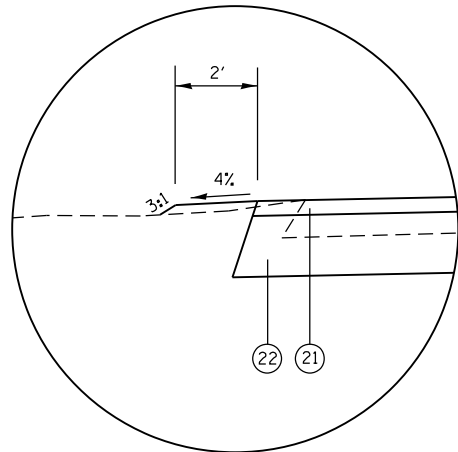
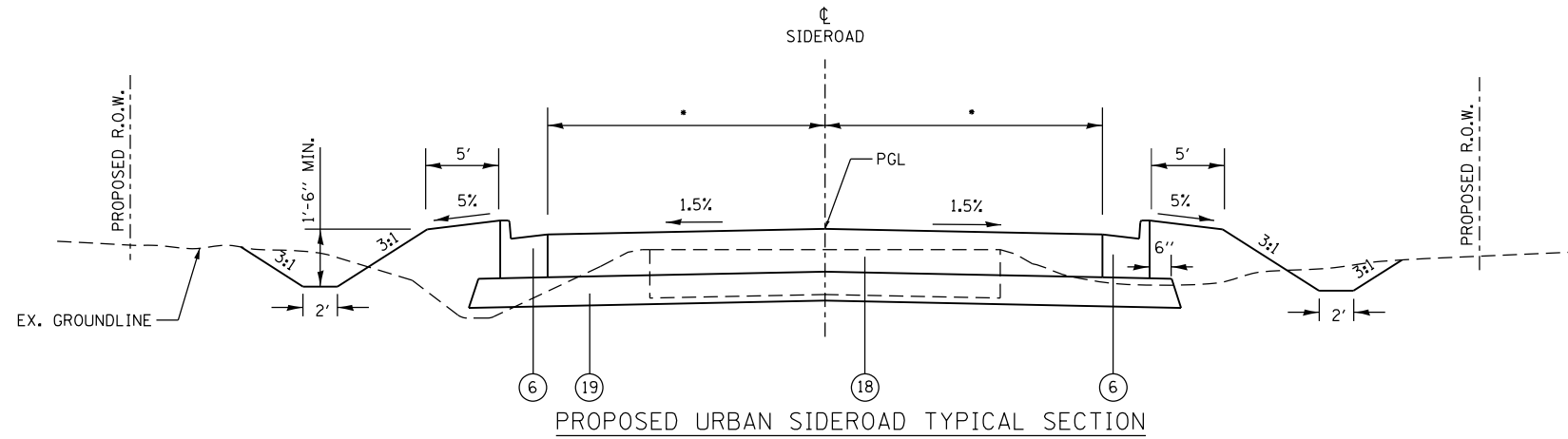


EARTH SHOULDER DETAIL



TO BE USED:
 CHOISSER ST. STA. 10+68.79 TO STA. 10+84.45 LT. & RT.
 GROVE ST. STA. 8+98.97 TO STA. 9+29.32 LT. & RT.
 JEFFERSON ST. STA. 8+95.80 TO STA. 9+28.35 LT.
 STA. 10+70.91 TO STA. 11+04.73 LT. & RT.
 POPLAR ST. STA. 10+72.85 TO STA. 11+17.27 LT. & RT.
 ADAMS ST. STA. 10+70.95 TO STA. 11+13.58 LT. & RT.
 DEWEY ST. STA. 8+93.41 TO STA. 9+40.60 RT.
 DEWEY RD. STA. 10+57.56 TO STA. 11+49.50 RT.



PROPOSED URBAN SIDEROAD TYPICAL SECTION

TO BE USED: CHOISSER ST. STA. 10+24.06 TO 10+68.78 LT. STA. 10+43.78 TO 10+68.79 RT.
 JEFFERSON ST. STA. 9+28.35 TO 9+53.38 LT. STA. 9+28.35 TO 9+76.53 RT.
 STA. 10+23.61 TO 10+70.91 LT. STA. 10+45.88 TO 10+70.91 RT.
 FOURTH ST. (SOUTH) STA. 10+48.90 TO 11+23.30 LT. STA. 10+16.29 TO 11+23.30 RT.
 FOURTH ST. (NORTH) STA. 9+48.52 TO 9+82.56 LT. STA. 9+40.21 TO 9+53.51 RT.
 GROVE ST. STA. 9+29.32 TO 9+54.42 LT. STA. 9+29.32 TO 9+76.35 RT.
 POPLAR ST. STA. 10+23.29 TO 10+72.85 LT. STA. 10+47.80 TO 10+72.84 RT.
 ADAMS ST. STA. 10+23.60 TO 10+70.95 LT. STA. 10+45.90 TO 10+70.95 RT.
 DEWEY ST. STA. 9+40.60 TO 9+69.31 LT. STA. 9+40.60 TO 9+65.22 RT.

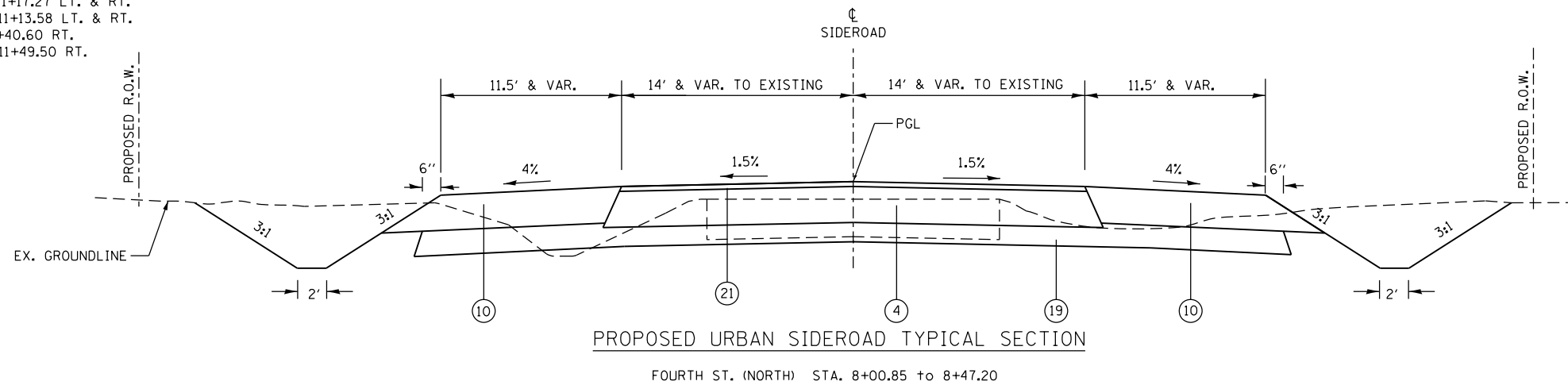
PAVEMENT LANE WIDTHS

- 10' - CHOISSER ST.
- JEFFERSON ST.
- GROVE ST.
- POPLAR ST.
- ADAMS ST.
- 11' - DEWEY ST. (LT)
- 13' - FOURTH ST. (SOUTH)
- 14' - FOURTH ST. (NORTH)

NOTE: PAVEMENT WIDTHS ARE AT THE END OF THE RADIUS RETURNS. MATCH EXISTING PAVEMENT SURFACE TYPE FROM END OF RADIUS RETURN TO CONSTRUCTION LIMITS. (SEE STANDARD 9-84, URBAN SIDEROAD DETAILS)

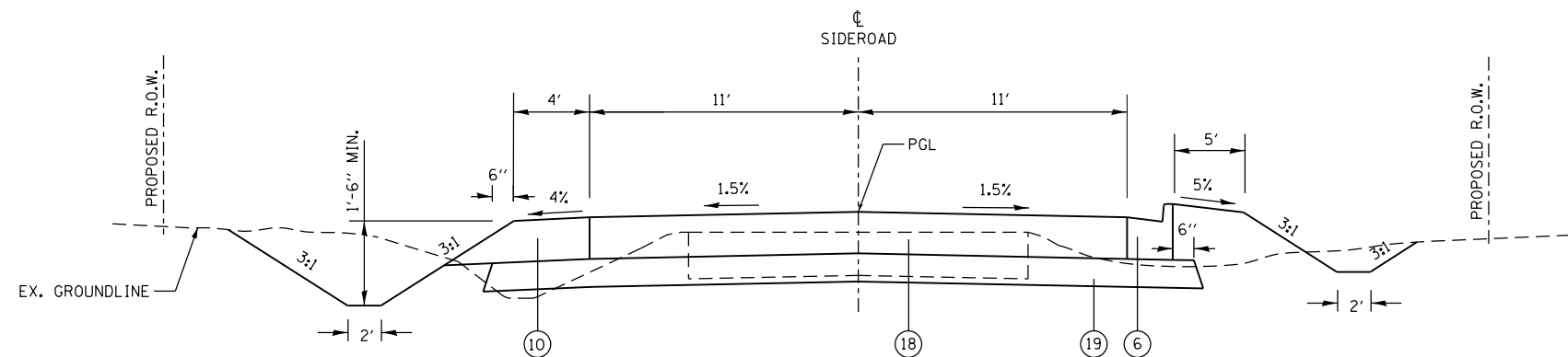
LEGEND

- ④ HOT-MIX ASPHALT BINDER COURSE, N90, IL-19.0, 8"
- ⑥ COMBINATION CONCRETE CURB & GUTTER, TYPE B-6.24
- ⑩ HOT-MIX ASPHALT SHOULDERS, 8"
- ⑪ AGGREGATE SHOULDERS, TYPE B, 8"
- ⑱ PCC DRIVEWAY PAVEMENT, 8"
- ⑲ SUB-BASE GRANULAR MATERIAL, 4"
- ⑳ HOT-MIX ASPHALT SURFACE COURSE, MIX "C", N90, 1.5"
- ㉔ AGGREGATE BASE COURSE TYPE A, 4"
- REMOVAL



PROPOSED URBAN SIDEROAD TYPICAL SECTION

FOURTH ST. (NORTH) STA. 8+00.85 to 8+47.20



PROPOSED URBAN & RURAL SIDEROAD TYPICAL SECTION

DEWEY RD. STA. 10+39.00 TO 11+49.50 LT. STA. 10+39.00 TO 10+57.56 RT.

FILE NAME =	USER NAME = bemery	DESIGNED -	REVISED -	STATE OF ILLINOIS DEPARTMENT OF TRANSPORTATION	TYPICAL SECTIONS CROSSROADS			F.A.P. RTE.	SECTION	COUNTY	TOTAL SHEETS	SHEET NO.		
P:\Projects\2011 Projects\11297 - IDOT US 5 Ph2\CV\CADD Sheets\0978077-sht-typical.dgn	DRAWN -	REVISIED -	REVISIED -		SCALE: N.T.S.	SHEET NO. 1 OF	SHEETS	STA.	TO STA.	332	(29,30)R-1	SALINE	745	32
PLOT SCALE = 100.0000' / 1" =	CHECKED -	REVISIED -	REVISIED -								CONTRACT NO. 78077			
PLOT DATE = 4/30/2014	DATE -	REVISIED -	REVISIED -								FED. ROAD DIST. NO. ILLINOIS FED. AID PROJECT			