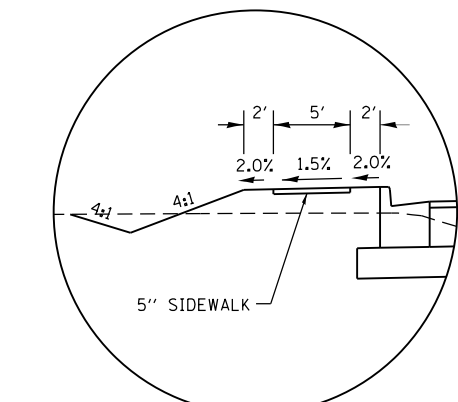
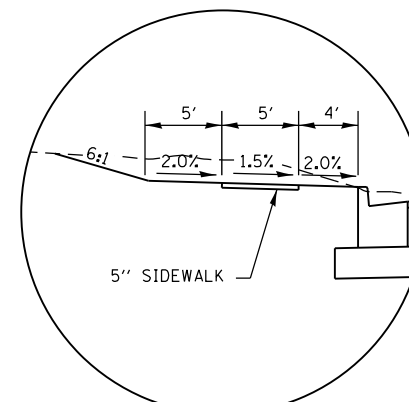


SEE DETAILS "A" & "B"

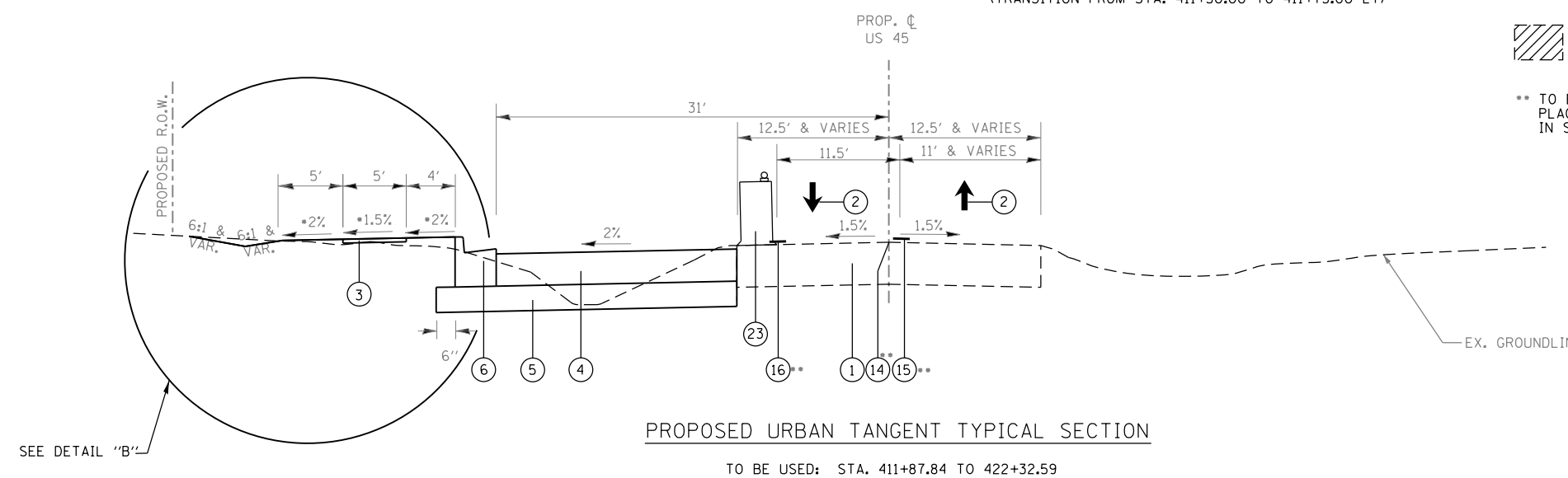


LEGEND

- ① EXISTING HOT-MIX ASPHALT RESURFACED PCC PAVEMENT, 14"
- ② MAINTAIN TRAFFIC ON EXISTING U.S. 45
- ③ PCC SIDEWALK, 5"
- ④ ALT A: HOT-MIX ASPHALT BINDER COURSE, N90, IL-19.0, 9" OR ALT B: PORTLAND CEMENT CONCRETE PAVEMENT, 9" (JOINTED)
- ⑤ PROCESSING LIME MODIFIED SOILS (12" MIN.) (SEE GEOTECHNICAL REPORT FOR DEPTH OF PROPOSED LIME MODIFICATION)
- ⑥ COMBINATION CONCRETE CURB & GUTTER, TYPE B-6.24
- ⑦ COMBINATION CONCRETE CURB & GUTTER REMOVAL
- ⑭ EXISTING PAVEMENT MARKING REMOVAL
- ⑮ TEMPORARY  $\phi$  PAVEMENT MARKING (SEE STAGE 1A MOT SHEETS FOR TYPE)
- ⑯ TEMPORARY PAVEMENT MARKING LINE 4" (SOLID WHITE)
- ⑰ TRAFFIC CONTROL DEVICES SHALL BE PLACED IN THE WIDENING ALONG THE EDGE OF PAVEMENT WHEN NO WORK OPERATIONS ARE PRESENT AT THE END OF EACH WORK DAY AND WEEKENDS.



\*\* TO BE CONSTRUCTED BEFORE PLACING LANES UNDER TRAFFIC IN STAGE 1A



SEE DETAIL "B"

FILE NAME =	USER NAME = bemery	DESIGNED -	REVISED -	<b>STATE OF ILLINOIS DEPARTMENT OF TRANSPORTATION</b>	<b>CONSTRUCTION STAGING PLAN STAGE 1A</b>			F.A.P. RTE.	SECTION	COUNTY	TOTAL SHEETS	SHEET NO.
P:\Projects\2011 Projects\11297 - IDOT US 45 Ph2\CV\CADD Sheets\0978077-sht-Stage1A.dwg	DRAWN -	REVISED -	REVISED -					332	(29,30)R-1	SALINE	745	184
Default	PLOT SCALE = 200.0000' / in.	CHECKED -	REVISED -		SCALE: N.T.S. SHEET OF SHEETS STA. TO STA.			CONTRACT NO. 78077				
	PLOT DATE = 4/30/2014	DATE -	REVISED -		ILLINOIS FED. AID PROJECT							