

PROPOSED TYPICAL TANGENT SECTION WITH TURN LANES

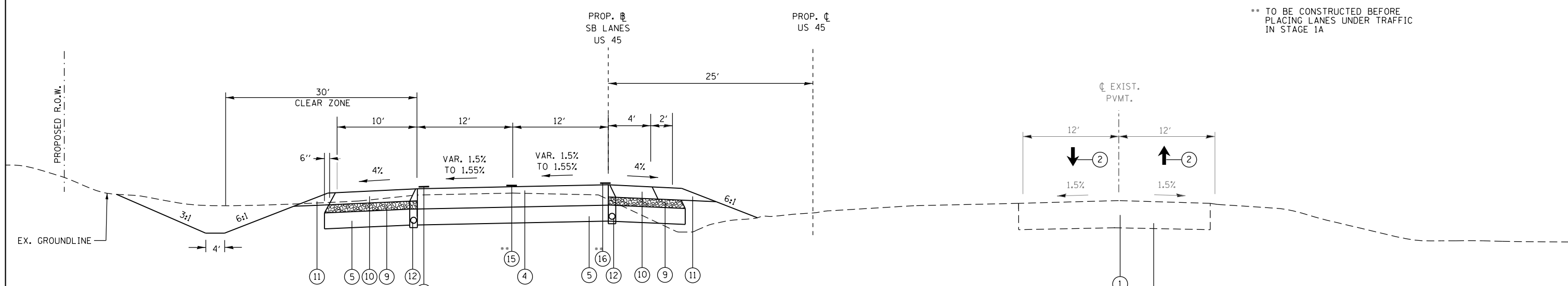
••• STA. 483+40 TO 489+55 LT  
 STA. 517+42 TO 521+77 LT  
 STA. 577+92 TO 582+27 LT  
 STA. 607+30 TO 611+65 LT

LEGEND

- ① EXISTING HOT-MIX ASPHALT RESURFACED PCC PAVEMENT, 14"
- ② MAINTAIN TRAFFIC ON EXISTING U.S. 45
- ④ ALT A: HOT-MIX ASPHALT BINDER COURSE, N90, IL-19.0, 9" OR ALT B: PORTLAND CEMENT CONCRETE PAVEMENT, 9" (JOINTED)
- ⑤ PROCESSING LIME MODIFIED SOILS (12" MIN.) (SEE GEOTECHNICAL REPORT FOR DEPTH OF PROPOSED LIME MODIFICATION)
- ⑨ SUB-BASE GRANULAR MATERIAL TYPE "C" (TO BE OMITTED IF ALT B IS USED)
- ⑩ ALT A: HOT-MIX ASPHALT SHOULDERS, 8" OR ALT B: PORTLAND CEMENT CONCRETE SHOULDERS, 9"
- ⑪ AGGREGATE SHOULDERS, TYPE B
- ⑫ PIPE UNDERDRAINS, 4" (HWY STD. 601001)
- ⑮ TEMPORARY  $\phi$  PAVEMENT MARKING (SEE STAGE 1A MOT SHEETS FOR TYPE)
- ⑯ TEMPORARY PAVEMENT MARKING LINE 4" (SOLID WHITE)



\*\* TO BE CONSTRUCTED BEFORE PLACING LANES UNDER TRAFFIC IN STAGE 1A



PROPOSED RURAL SUPERELEVATED TYPICAL SECTION

TO BE USED: STA. 502+82.93 TO 516+21.71

FILE NAME =	USER NAME = bemory	DESIGNED -	REVISED -	<b>STATE OF ILLINOIS DEPARTMENT OF TRANSPORTATION</b>	<b>CONSTRUCTION STAGING PLAN STAGE 1A</b>			F.A.P. RTE.	SECTION	COUNTY	TOTAL SHEETS	SHEET NO.				
P:\Projects\2011 Projects\11297 - IDOT US 45 Ph2\CV\CADD Sheets\0978077-sht-Stage1A.dwg		DRAWN -	REVISED -		SCALE: N.T.S.	SHEET	OF	SHEETS	STA.	TO	STA.	332	(29,30)R-1	SALINE	745	188
Default	PLOT SCALE = 200.0000' / in.	CHECKED -	REVISED -								<b>CONTRACT NO. 78077</b>					
	PLOT DATE = 4/30/2014	DATE -	REVISED -								ILLINOIS FED. AID PROJECT					