

PROPOSED URBAN SIDEROAD TYPICAL SECTION

FOURTH ST. STA. 9+48.52 TO 9+82.56 LT. & STA. 9+40.21 TO 9+53.51 RT.  
 JEFFERSON ST. STA. 9+28.35 TO 9+53.38 LT. & STA. 9+28.35 TO 9+76.53 RT.  
 GROVE ST. STA. 9+28.32 TO 9+54.42 LT. & STA. 9+29.32 TO 9+76.35 RT.  
 DEWEY ST. STA. 9+40.60 TO 9+69.31 LT. & STA. 9+40.60 TO 9+65.22 RT.

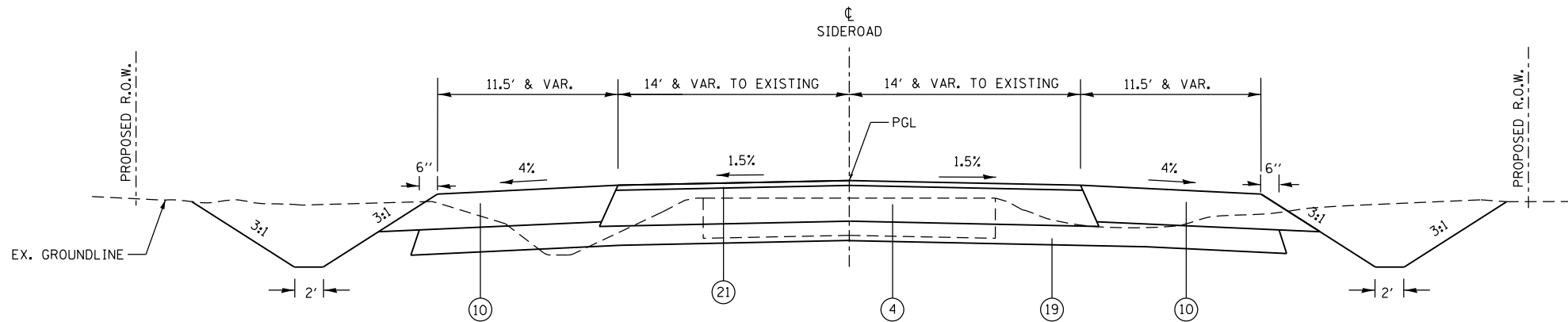
LEGEND

- ⑥ COMBINATION CONCRETE CURB & GUTTER, TYPE B-6.24
- ⑱ PCC PAVEMENT, 8"
- ⑲ SUB-BASE GRANULAR MATERIAL, 4"
- ⑳ HOT-MIX ASPHALT SURFACE COURSE, MIX C, N90, 2"
- ㉒ AGGREGATE BASE COURSE TYPE A, 4"

PAVEMENT LANE WIDTHS

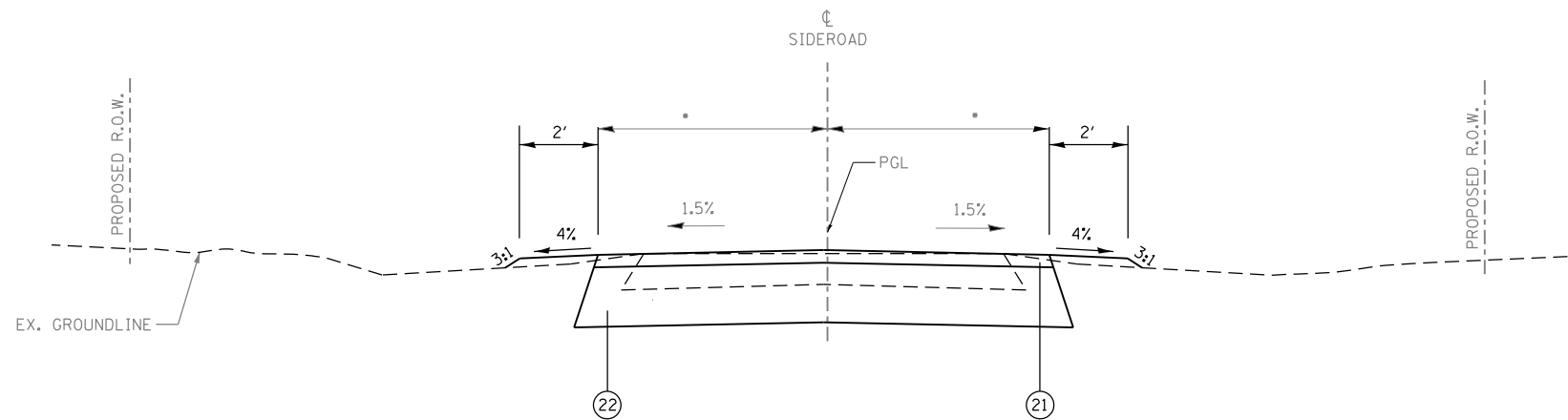
PAVEMENT WIDTHS ARE AT THE END OF THE RADIUS RETURNS. MATCH EXISTING PAVEMENT SURFACE TYPE FROM END OF RADIUS RETURN TO CONSTRUCTION LIMITS. (SEE DISTRICT 9 STANDARD 9-84, URBAN SIDEROAD DETAILS)

- 10' - JEFFERSON ST.
- 10' - GROVE ST.
- 11' - DEWEY ST. (LT)
- 14' - FOURTH ST. (NORTH)



PROPOSED URBAN SIDEROAD TYPICAL SECTION

FOURTH ST. (NORTH) STA. 8+00.85 to 8+47.20



PROPOSED URBAN SIDEROAD TYPICAL SECTION

JEFFERSON ST. STA. 8+95.80 TO STA. 9+28.35  
 GROVE ST. STA. 8+98.97 TO STA. 9+28.32(LT), STA. 9+29.32 (RT)  
 DEWEY ST. STA. 8+93.41 TO STA. 9+40.60

FILE NAME =	USER NAME = bemory	DESIGNED -	REVISED -	<b>STATE OF ILLINOIS DEPARTMENT OF TRANSPORTATION</b>	<b>CONSTRUCTION STAGING PLAN STAGE 1A</b>			F.A.P. RTE.	SECTION	COUNTY	TOTAL SHEETS	SHEET NO.
P:\Projects\2011 Projects\11297 - IDOT US#5 Ph2\CV\CADD Sheets\0978077-sht-Stage1A.dwg	DRAWN -	REVISED -	REVISED -					332	(29,30)R-1	SALINE	745	190
Default	PLOT SCALE = 200.0000' / in.	CHECKED -	REVISED -		SCALE: N.T.S. SHEET OF SHEETS STA. TO STA.			CONTRACT NO. 78077				
	PLOT DATE = 4/30/2014	DATE -	REVISED -		ILLINOIS FED. AID PROJECT							