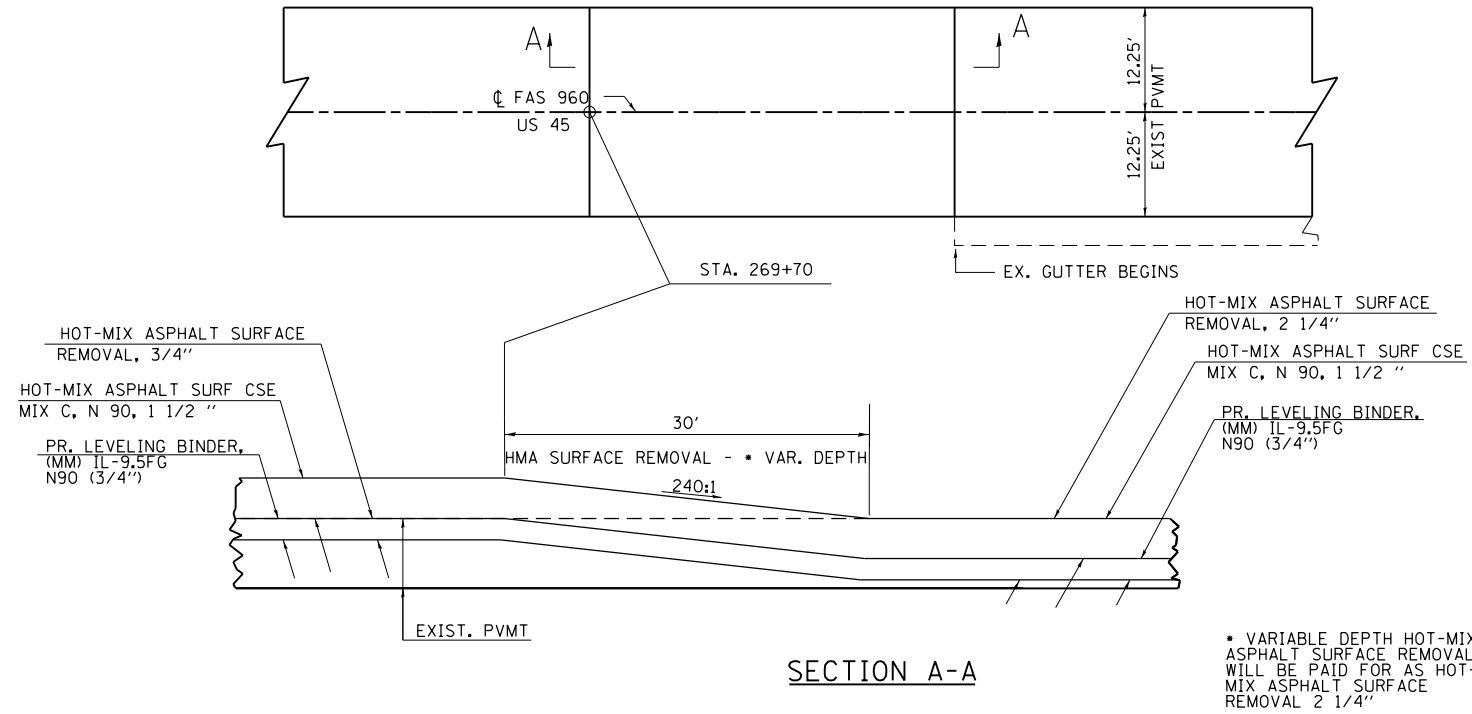


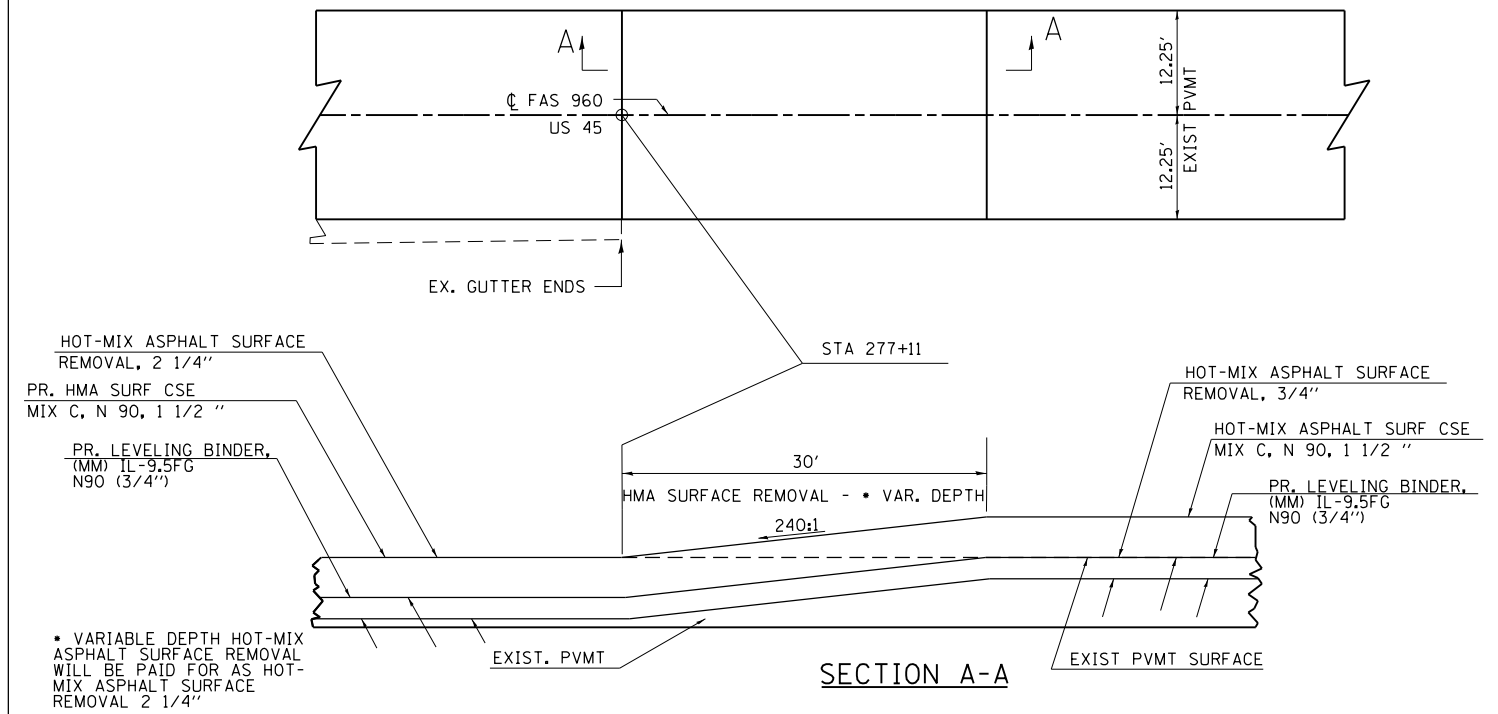
PAVEMENT TRANSITION DETAIL

STA. 269+70 TO STA. 270+00



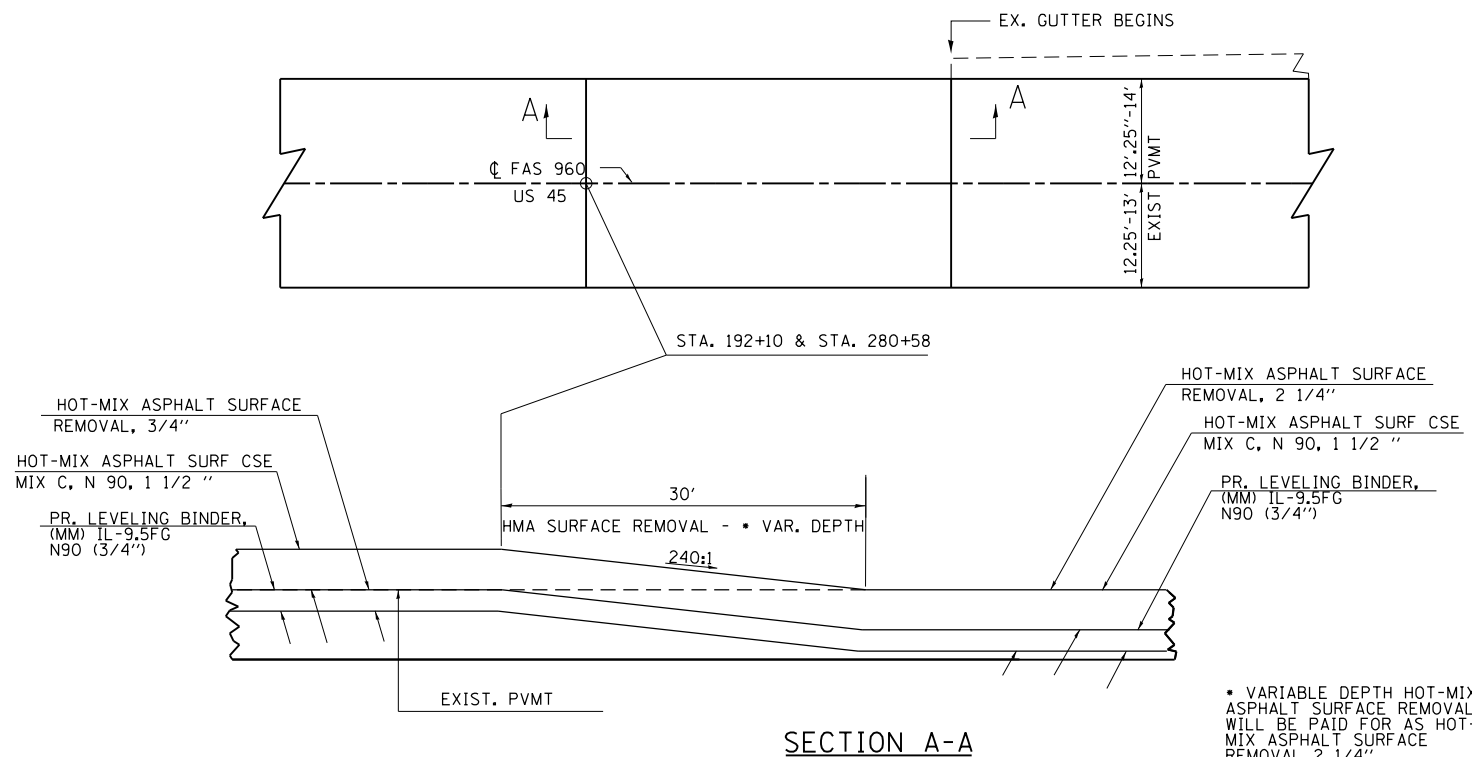
PAVEMENT TRANSITION DETAIL

STA. 277+11 TO STA. 277+41



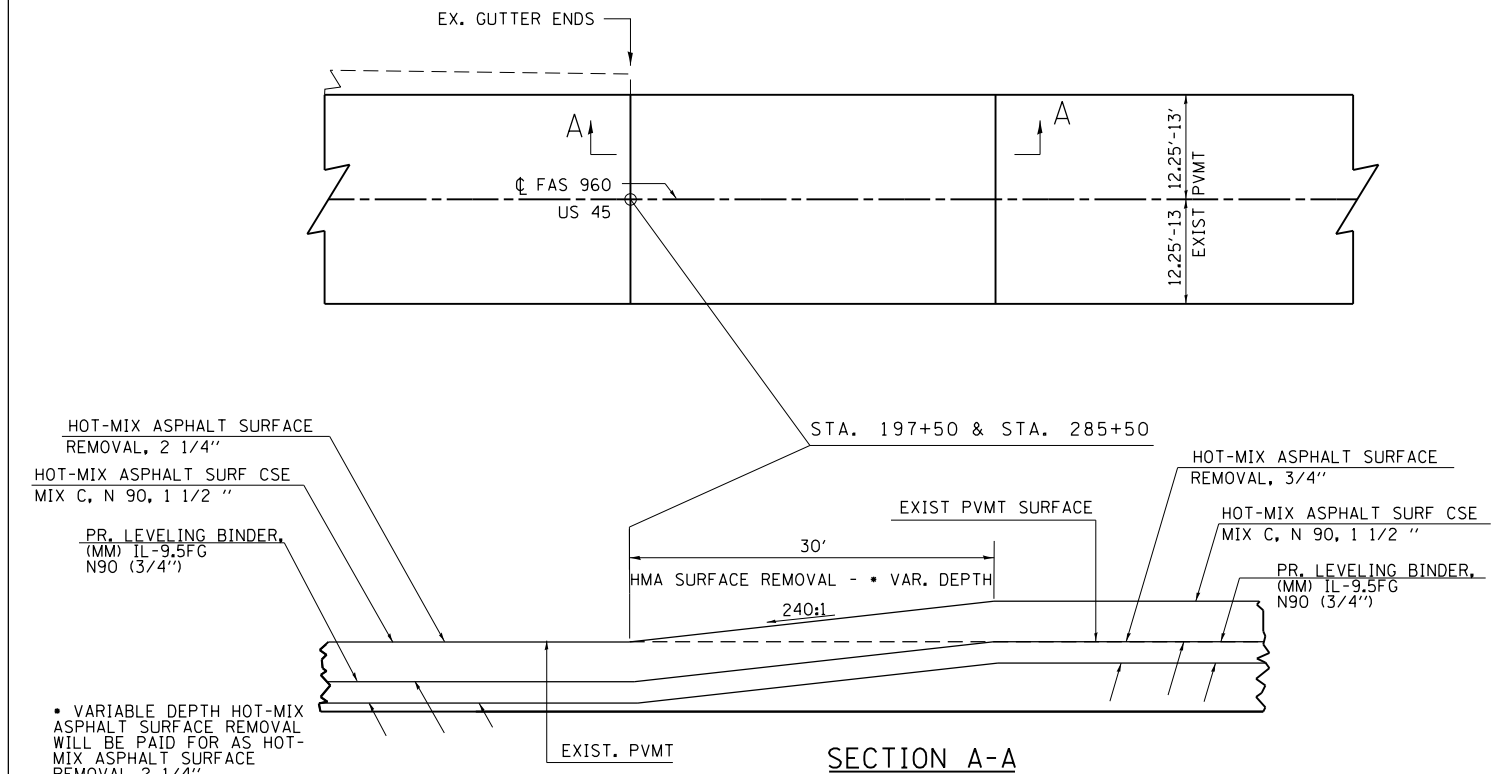
PAVEMENT TRANSITION DETAIL

STA. 192+10 TO STA. 192+40
STA. 280+58 TO STA. 280+88



PAVEMENT TRANSITION DETAIL

STA. 197+50 TO STA. 197+80
STA. 285+50 TO STA. 285+80



FILE NAME =	USER NAME = brandonja	DESIGNED -	REVISED -
ct:\pwork\pwork\brandonja\d0270826\d978270-sht-plen.dgn		DRAWN -	REVISED -
	PLOT SCALE = 100.0000' / in.	CHECKED -	REVISED -
	PLOT DATE = 6/6/2014	DATE -	REVISED -

STATE OF ILLINOIS
DEPARTMENT OF TRANSPORTATION

DETAIL: PAVEMENT TRANSITION

SCALE: SHEET NO. 1 OF 2 SHEETS STA. TO STA.

F.A.S. RTE.	SECTION	COUNTY	TOTAL SHEETS	SHEET NO.
960	38RS-5	JOHNSON	26	22
CONTRACT NO. 78270			ILLINOIS FED. AID PROJECT	