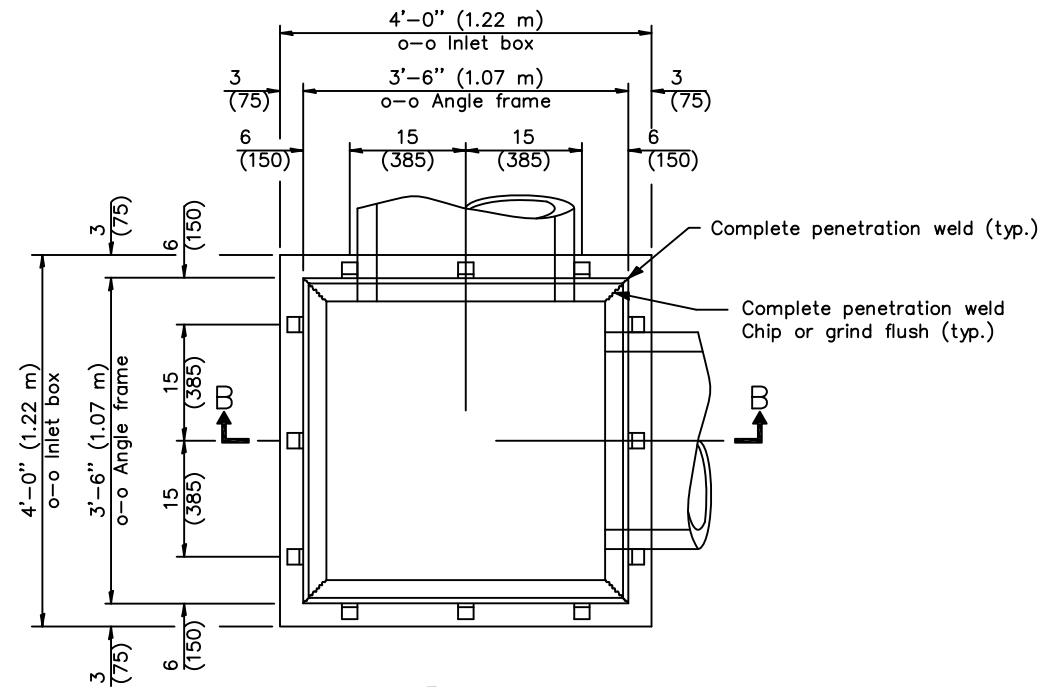
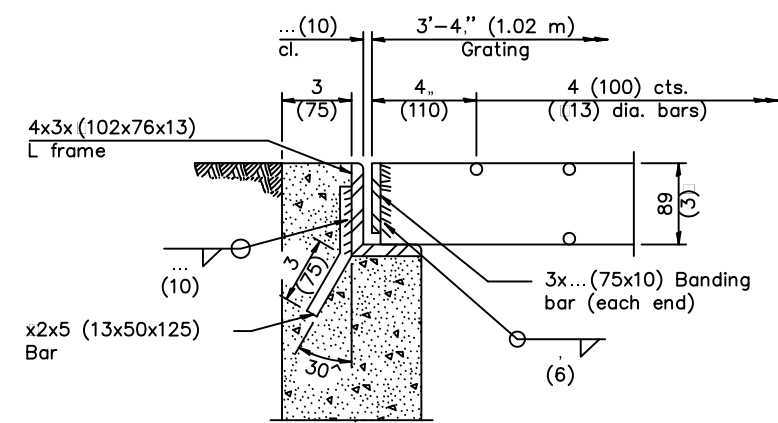
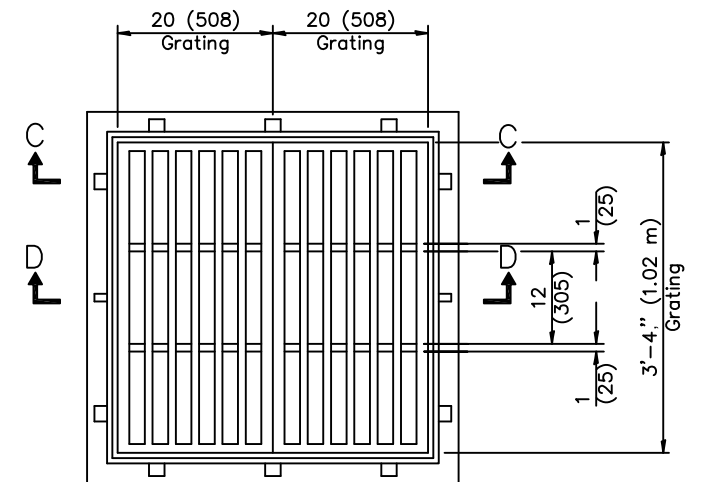


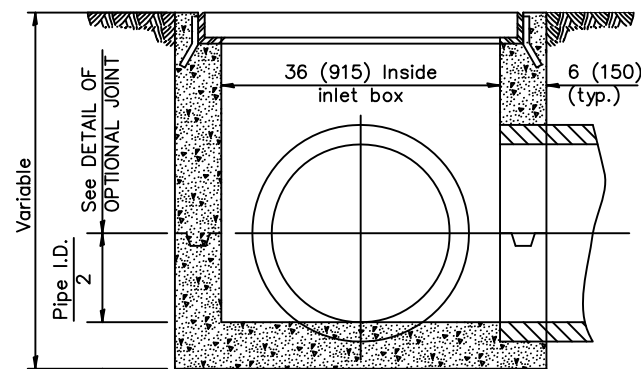
SECTION A-A



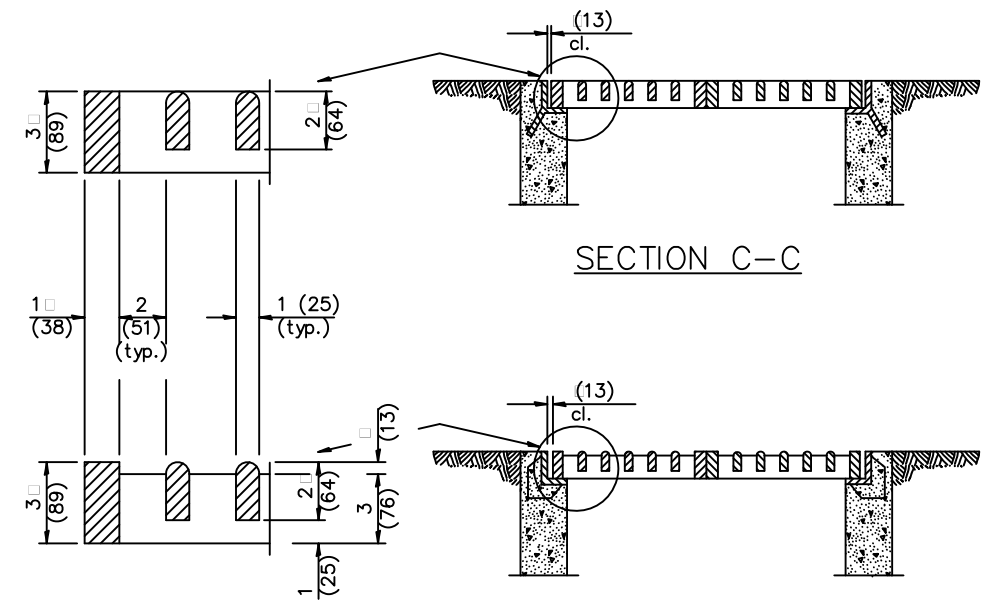
PLAN
(Grating omitted for clarity)



STEEL FRAME & GRATE

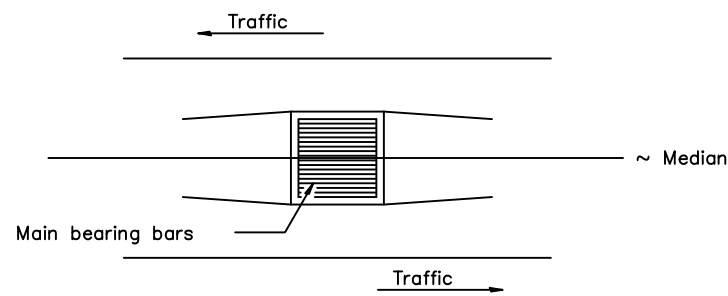
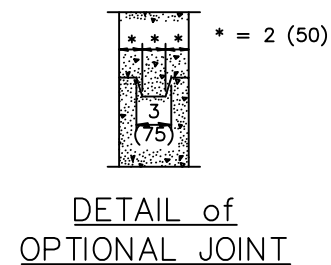


SECTION B-B



SECTION C-C

SECTION D-D
CAST FRAME & GRATE



Sketch showing location and direction of main bearing bars in relation to ~ median

All dimensions are in inches (millimeters) unless otherwise shown.