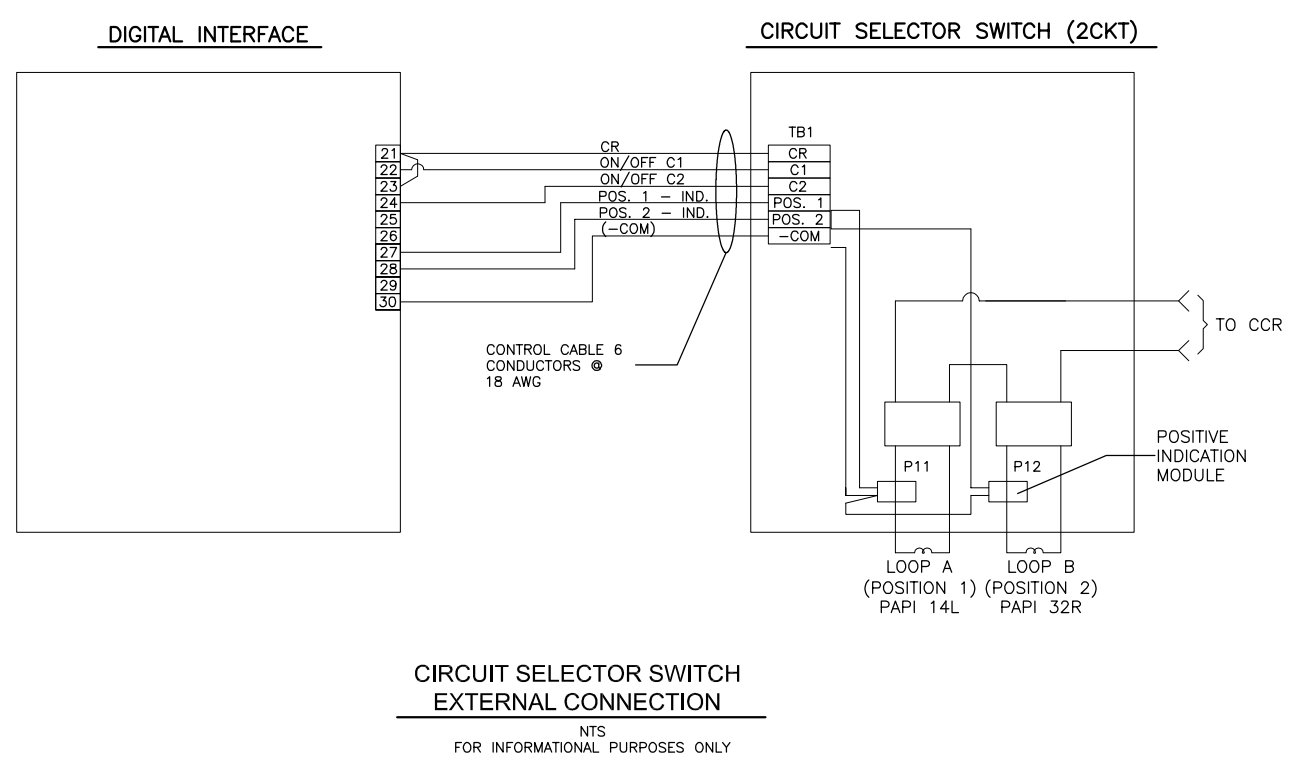
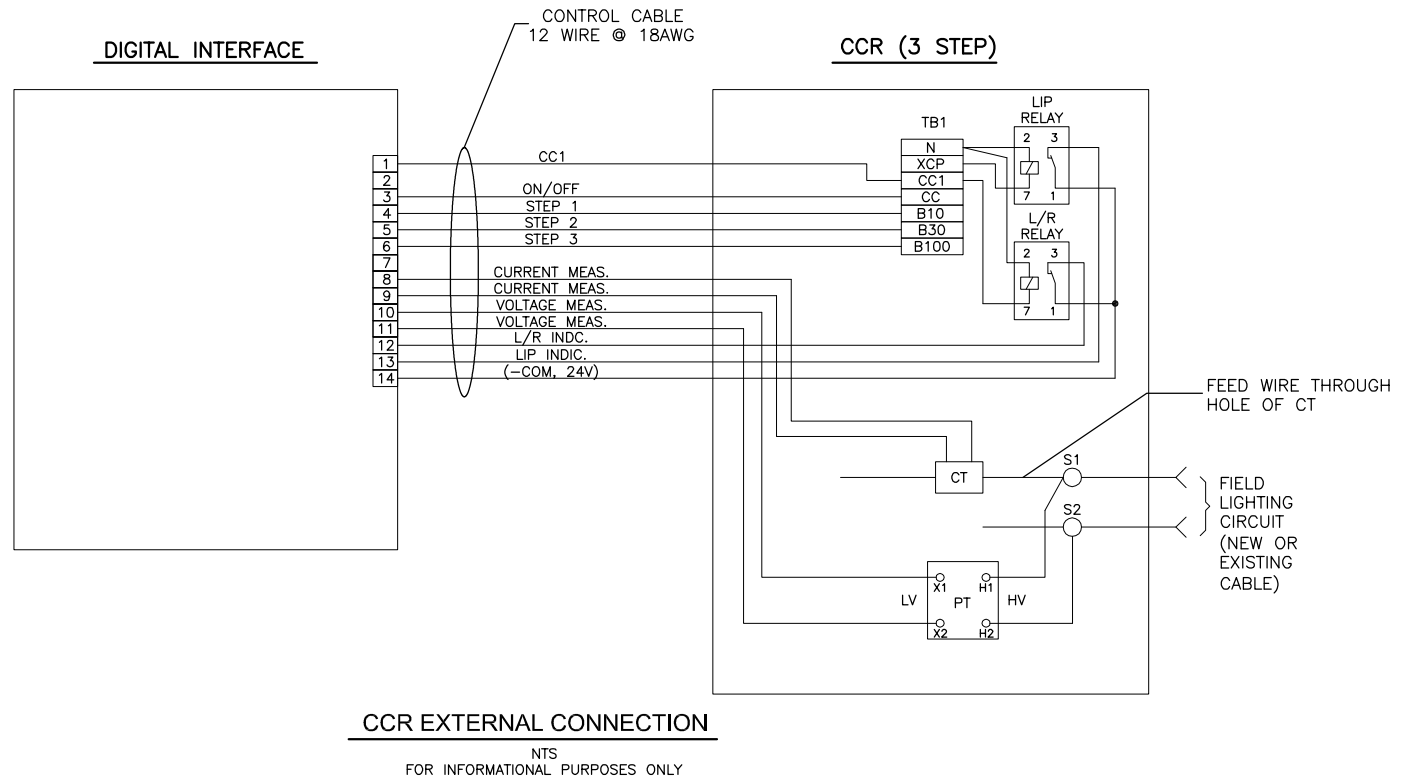


NOTE:
CONTRACTOR SHALL REPLACE EXISTING POTENTIAL TRANSFORMER WITH NEW POTENTIAL TRANSFORMER (CROUSE-HINDS 3246B OR EQUAL) FOR TAXIWAY K REGULATOR ONLY. CONTRACTOR SHALL CONTACT CROUSE-HINDS FOR CALIBRATION OF ALCMS.



REVISIONS		
NUMBER	BY	DATE

0 1 2
THIS BAR IS EQUAL TO 2' AT FULL SCALE (34X22).
PLOT 1

**MIDAMERICA ST. LOUIS AIRPORT
ST. CLAIR COUNTY, ILLINOIS**

AIRFIELD LIGHTING IMPROVEMENTS

ONE MEMORIAL DRIVE, SUITE 500
ST. LOUIS, MO 63102
(314) 436-5500

GMT
CRAWFORD, MURPHY & TILLY, INC.
CONSULTING ENGINEERS
PROFESSIONAL ENGINEERING - 184-00613

**IL PROJECT, BLV-4405
AIP PROJECT, 3-17-SBGP-XX**

FILE: 33-36_ELECTRICAL_DETAILS.dwg
DESIGN BY: ASF
DRAWN BY: ASF
CHECKED BY: MJD/CET
APPROVED BY: BWG
DATE: JUNE 27, 2014
JOB No: 13098-02

VAULT FLOOR PLAN

SHEET 35 OF 35 SHEETS