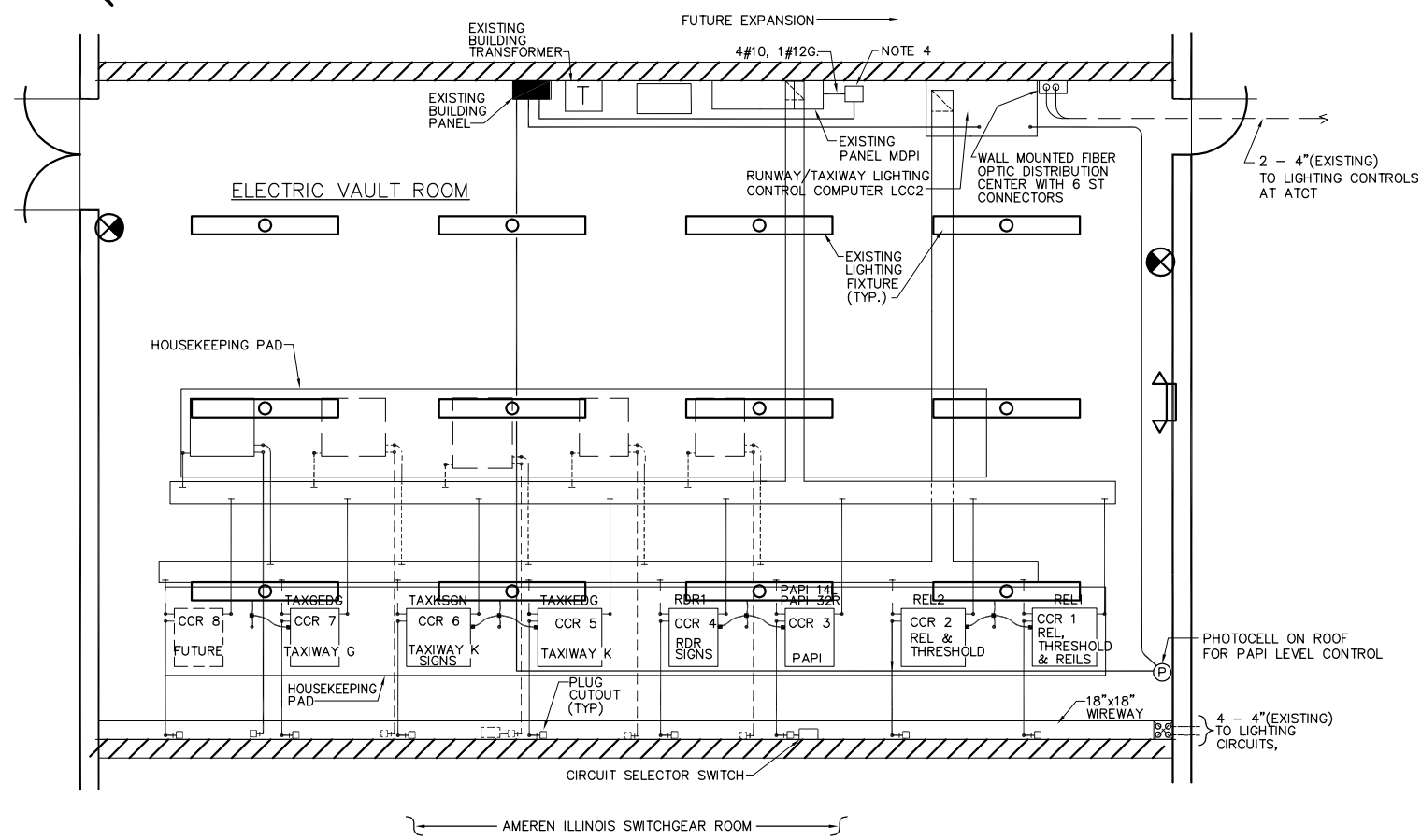
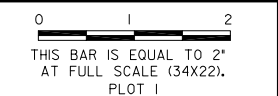
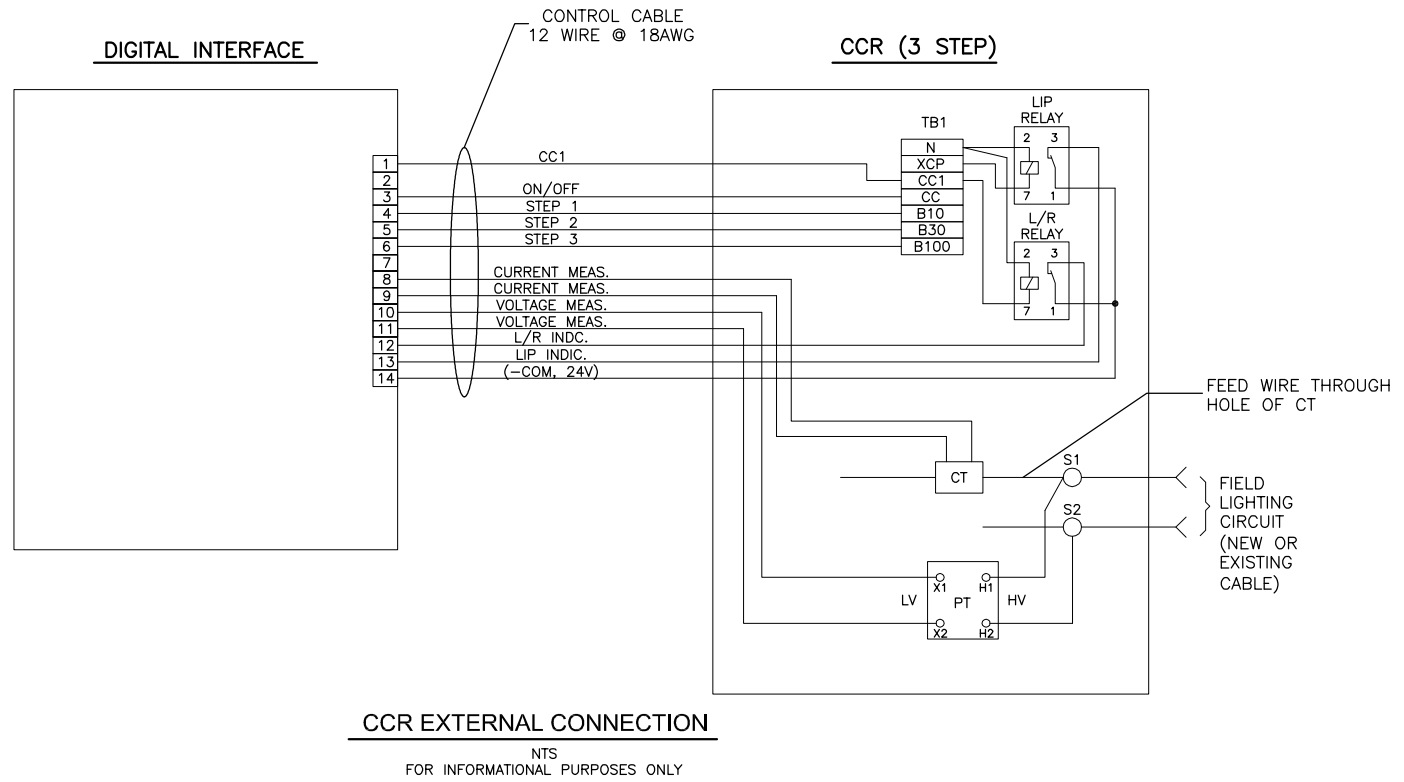
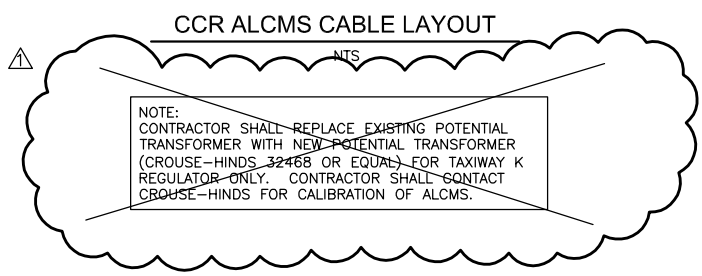
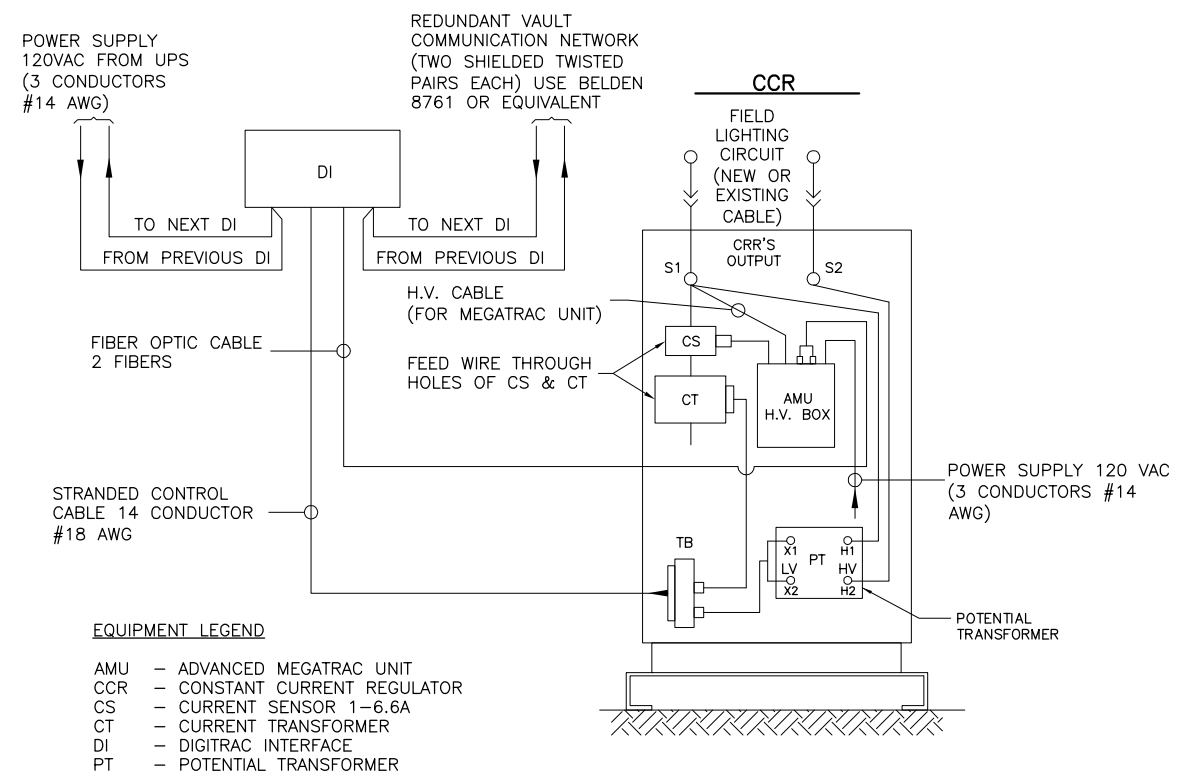


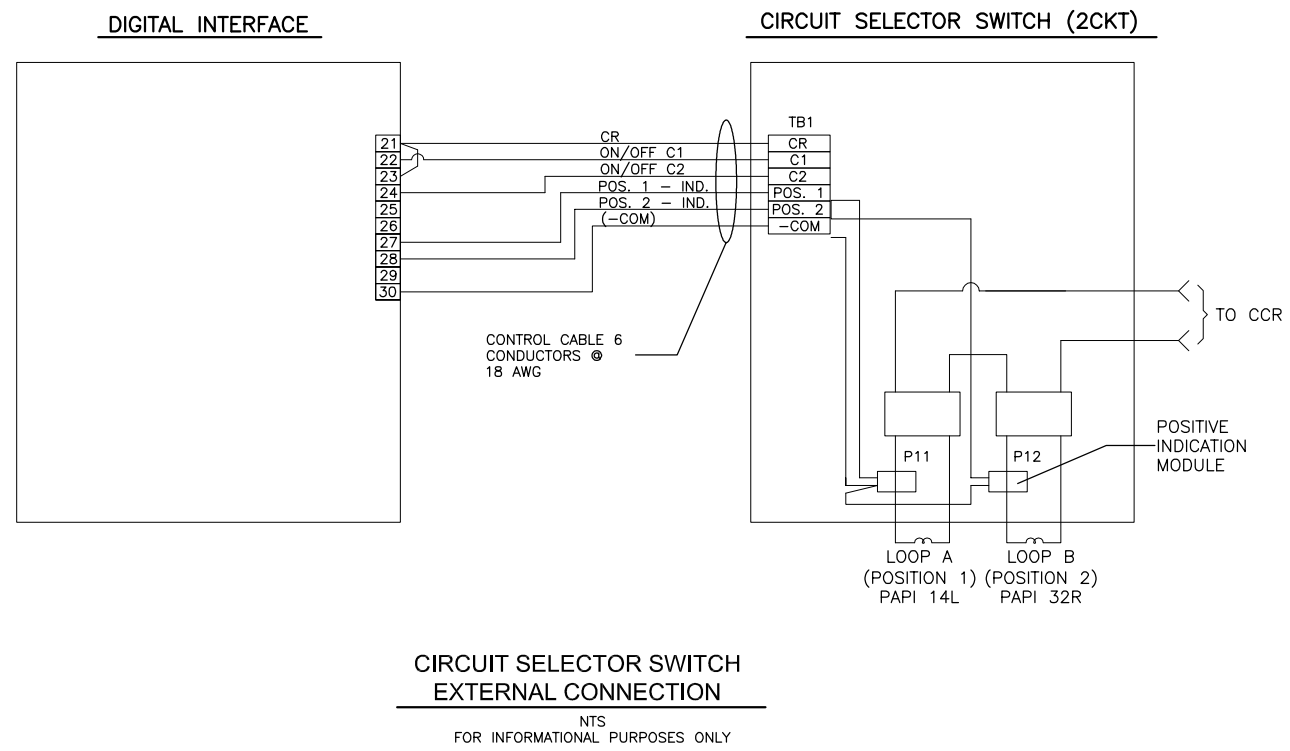
REVISIONS		
NUMBER	BY	DATE
△	BWG	7/29/14



ELECTRIC VAULT FLOOR PLAN
SCALE: 1/4" = 1'-0"



CCR EXTERNAL CONNECTION
NTS
FOR INFORMATIONAL PURPOSES ONLY



CIRCUIT SELECTOR SWITCH EXTERNAL CONNECTION
NTS
FOR INFORMATIONAL PURPOSES ONLY

**MIDAMERICA ST. LOUIS AIRPORT
ST. CLAIR COUNTY, ILLINOIS**

AIRFIELD LIGHTING IMPROVEMENTS

ONE MEMORIAL DRIVE, SUITE 500
ST. LOUIS, MO 63102
(314) 436-5500

CMT
CRAWFORD, MURPHY & TILLY, INC.
CONSULTING ENGINEERS

© Copyright CMT, Inc.
PROFESSIONAL ENGINEERING - 184-00613

**IL PROJECT, BLV-4405
AIP PROJECT, 3-17-SBGP-XX**

FILE: 33-36_ELECTRICAL_DETAILS.dwg

DESIGN BY:	ASF
DRAWN BY:	ASF
CHECKED BY:	MJD/CET
APPROVED BY:	BWG
DATE:	JUNE 27, 2014
JOB No:	13098-02

VAULT FLOOR PLAN