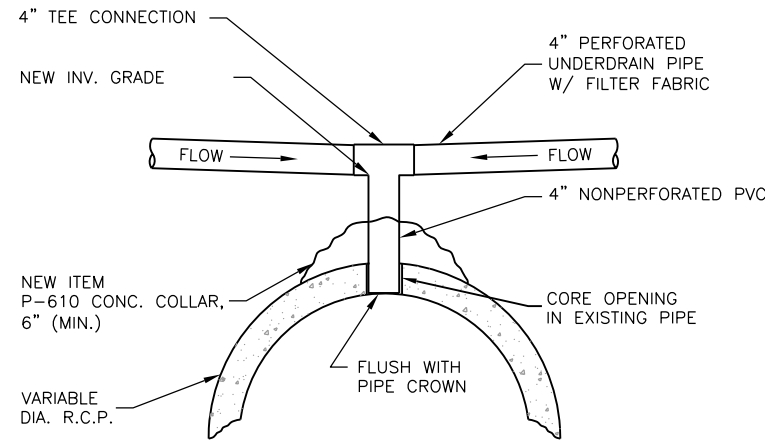


SIDE VIEW

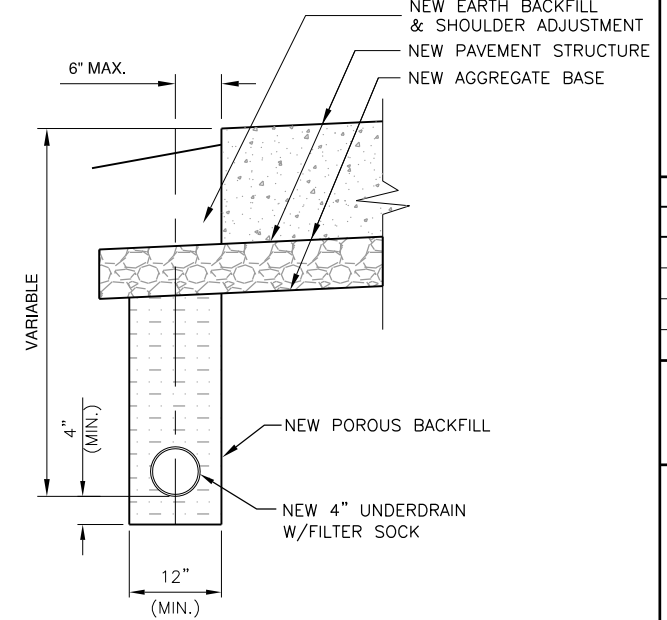
UNDERDRAIN CLEAN-OUT DETAIL - TYPE 1

N.T.S.



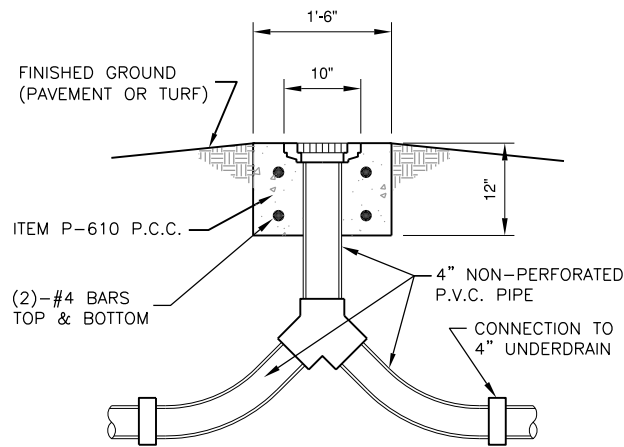
UNDERDRAIN DIRECT TOP CONNECTION DETAIL

N.T.S.



TYPICAL UNDERDRAIN DETAIL - PAVEMENT EDGE

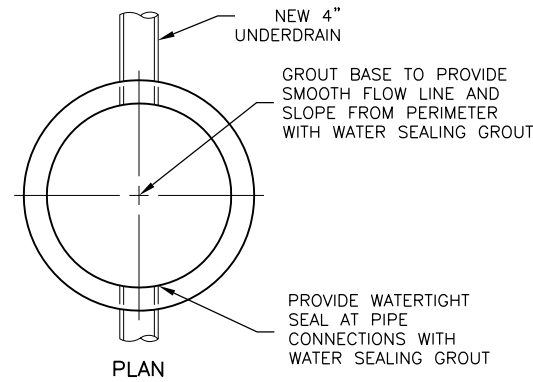
N.T.S.



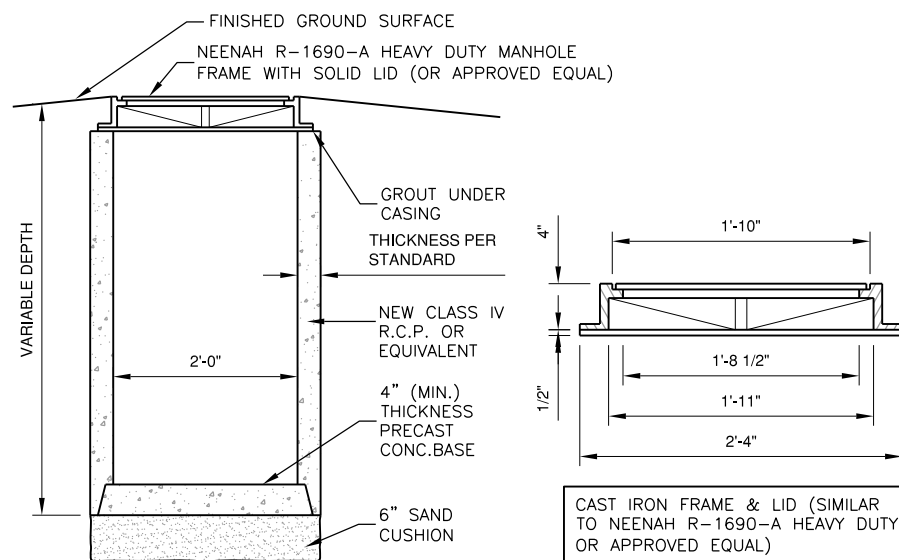
SIDE VIEW

UNDERDRAIN CLEAN-OUT DETAIL - TYPE 2

N.T.S.



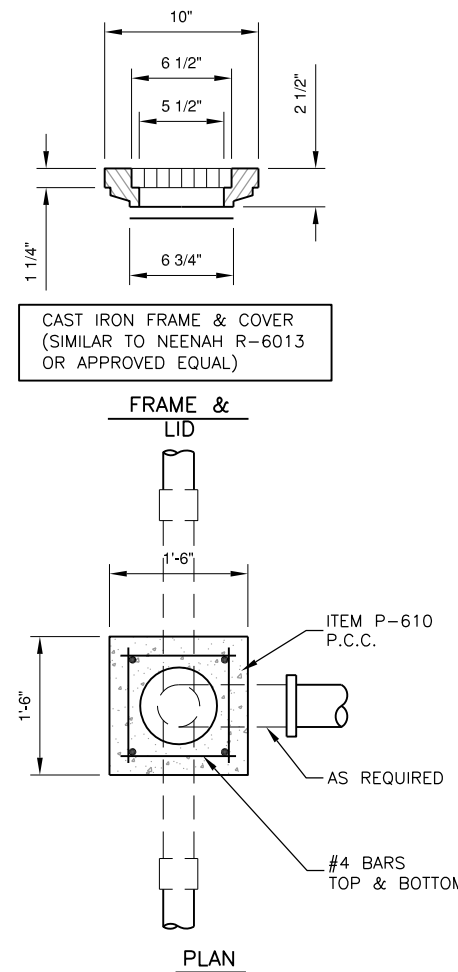
PLAN



SIDE VIEW

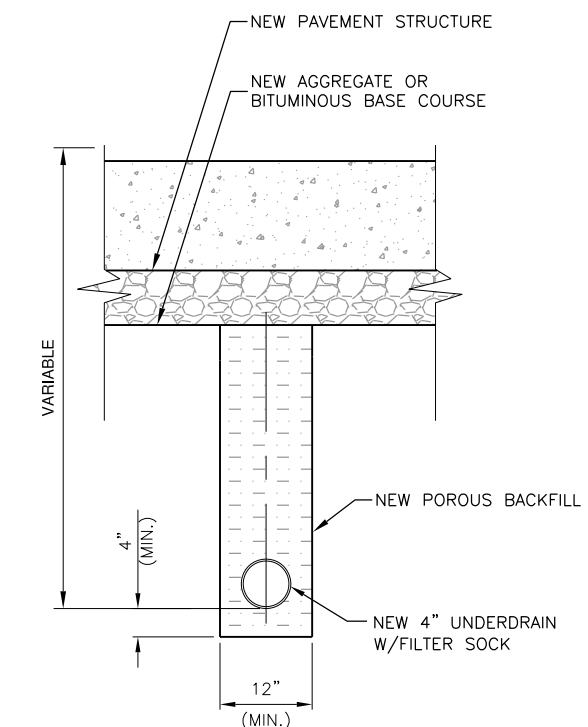
UNDERDRAIN COLLECTION STRUCTURE DETAIL

N.T.S.



UNDERDRAIN CLEAN-OUT DETAILS

N.T.S.



TYPICAL UNDERDRAIN DETAIL - BELOW PAVEMENT

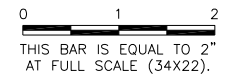
N.T.S.

NOTES

DURING UNDERDRAIN CONSTRUCTION, CARE SHALL BE TAKEN TO ENSURE GOOD DRAINAGE BETWEEN THE SUB-BASE AND THE POROUS BACKFILL MATERIAL WHICH WILL AFFECT DRAINAGE TO THE UNDERDRAIN SHALL BE REMOVED PRIOR TO THE PLACEMENT OF PROPOSED POROUS BACKFILL. ALL COST FOR THIS WORK SHALL BE CONSIDERED INCIDENTAL.

UN053

REVISIONS		
NUMBER	BY	DATE



UNIVERSITY OF ILLINOIS
 WILLARD AIRPORT
 SAVOY, ILLINOIS

BASE BID - REALIGN AND WIDEN TAXIWAY C
 UNDERDRAIN DETAILS

© Copyright CMT, Inc.
CMT
 CRAWFORD, MURPHY & TILLY, INC.
 CONSULTING ENGINEERS
 License No. 184-000613

DESIGN BY:	CBG
DRAWN BY:	ADD
CHECKED BY:	CET
APPROVED BY:	CET
DATE:	JUNE 27, 2014
JOB No:	13059-02-00
IL PROJ. NO.	CMI-4347
AIP PROJ. NO.	3-17-0016-XX
SHEET	39 OF 83 SHEETS