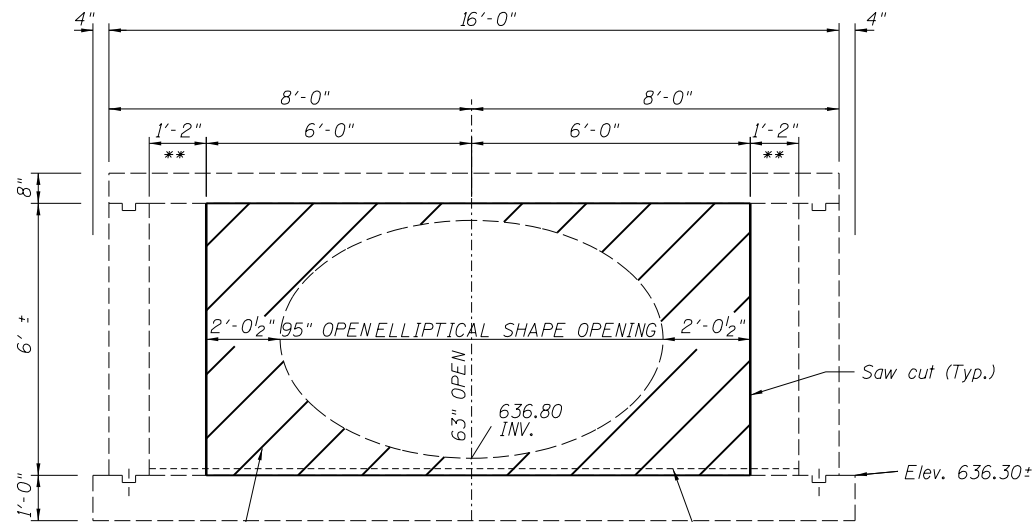
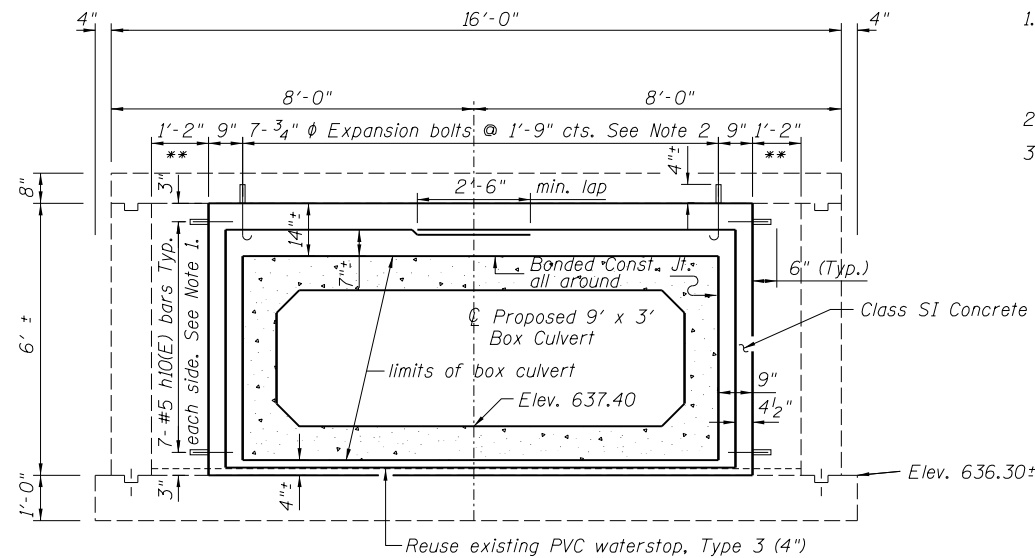


Notes:

1. Epoxy grouting of bars shall be done according to Section 584 of the Std. Spec's. The grout and method of application shall be approved by the Engineer. Cost included with Reinforcement Bars, Epoxy Coated.
2. Hooked bolts shall extend a minimum of 9" into new concrete.
3. Reinforcement bars designated (E) shall be epoxy coated.



**SECTION B-B**  
(Showing Concrete Removal Area)



**SECTION B-B**  
(Showing Concrete Collar)

Concrete Removal. Cost included with Concrete Structures.

Do not damage existing PVC waterstop. Re-use in new construction.

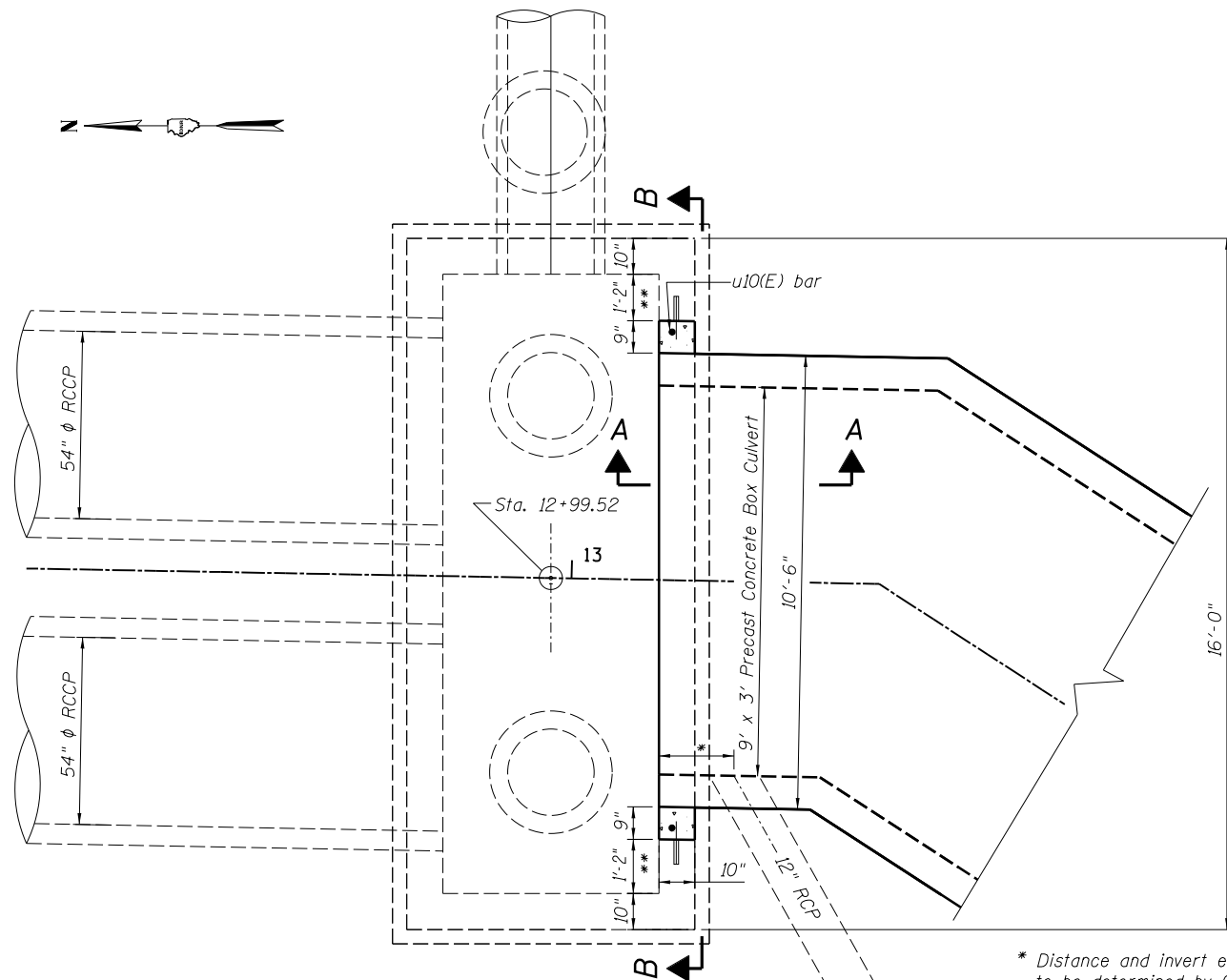
Reuse existing PVC waterstop, Type 3 (4")

O:\OwrProj\mpl\Projects\CrystalCreek IIB\Plan Sheets\20 Junction Chamber No 2.dgn

8:10:55 AM

7/20/13

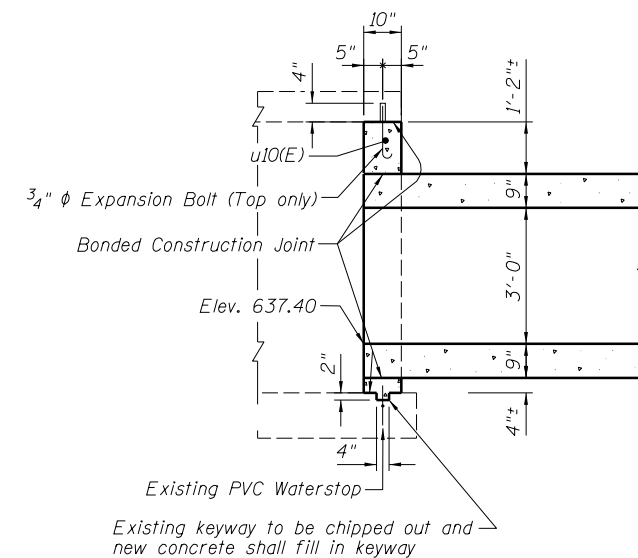
Designed By TMM Checked By JUF  
Drawn By JUF Checked By TMM



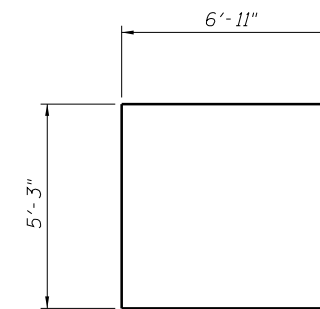
**PLAN - JUNCTION CHAMBER NO. 2**

\* Distance and invert elevation of 12" RCP to be determined by Contractor in field. Do not fabricate prior to verifying dimension and Elev. 639.2±

\*\* This dimension may vary slightly from what is shown. Actual dimension will be governed by proposed culvert alignment as it crosses existing box.



**SECTION A-A**



**BAR u10(E)**

**BILL OF MATERIAL**

Bar	No.	Size	Length	Shape
h10(E)	14	#5	1'-1"	—
u10(E)	2	#5	19'-1"	□
Concrete Structures			Cu Yd	1
Reinforcement Bars, Epoxy Coated			Pound	60
3/4" Expansion Bolts			Each	14